

## ES110

### Series Electric Strike

#### Application:

The ES110 is a cost efficient robust electric strike with a solid construction of one-piece cast aluminium body and stainless steel striker. Having a deeper than normal strike-keeper area, ES110 is designed to work with an extensive range of locks and offers the same level of security and reliability usually provided by more expensive electric locking solutions.

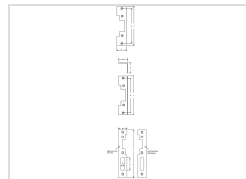
Extension lips are available to accommodate the installation of electric strikes on door frames with different thickness. The ES110 product range of patented electric strikes are suitable for use with all access control installations where flexibility, security and lower cost are required.

#### Specification:

- Fail safe/fail secure changeable on site
- Stainless steel striker for extra strength and durability
- Stainless steel locking pins
- Available in 12 or 24Vdc
- Optional mounting kit
- Installation template
- IP56 weather resistant model as standard
- Suitable For 18mm latch with a 3mm door gap
- Tricare 5 year warranty
- CE market to EMC Directive

#### Finish:

- Exposed areas
- High traffic areas
- Open in/open out doors
- Suitable for use with all access control systems

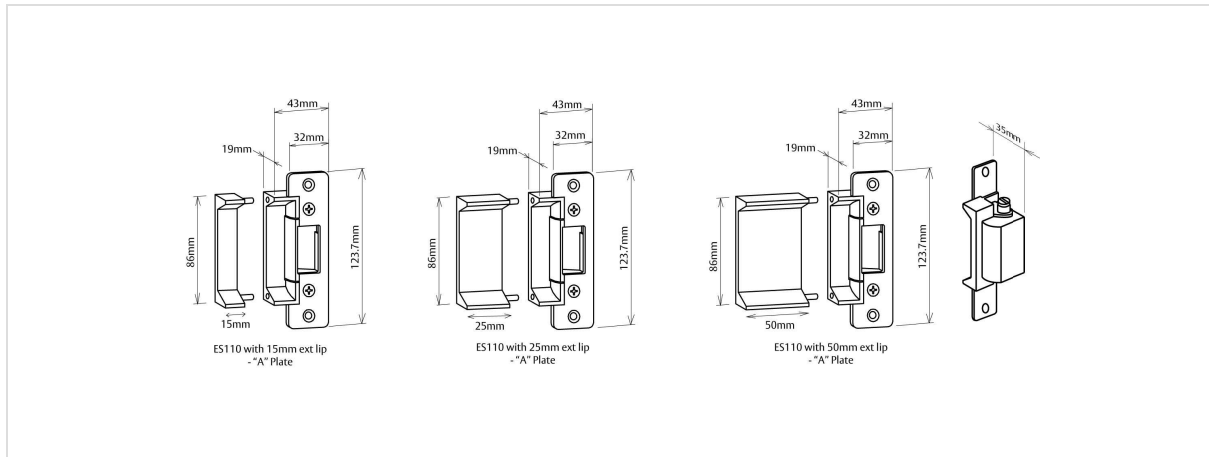


#### Standards:

<b>Voltage</b>	12 or 24Vdc
<b>Current</b>	243 mA @ 12Vdc – 187mA @ 24Vdc
<b>Solenoid</b>	Solenoids are rated for continuous use.
<b>Monitoring</b>	None
<b>Holding Force</b>	680kg Static Strength Rating
<b>Endurance</b>	Cycle tested to 1,000,000 operations
<b>Environment</b>	Operational temperature range -20°C to +60°C Weather resistant construction available. (IP56)
<b>Body</b>	Cast Aluminium Construction
<b>Keeper</b>	Stainless Steel
<b>Latch</b>	Suit 15mm latch with 3mm door gap



#### Technical Design:



#### Variants:

Code	Description
110111-060	TRIMEC ES111-WR-TABS
110111-150	TRIMEC ES111-00-WR-THAS
110111-160	TRIMEC ES111-WR-THAS
110111-190	TRIMEC ES111-00-WR-TABS
110112-060	TRIMEC ES112-WR-TABS
110112-140	TRIMEC ES112-WR-THAS
110113-060	TRIMEC ES113-WR-TABS
110113-140	TRIMEC ES113-WR-THAS
110114-060	TRIMEC ES114-WR-TABS
220200-518	TRIMEC Mounting Kit - ES100/110