

DH-IPC-HDW4666EMP-S-AUS

6 MP IR Fixed-focal Eyeball WizSense Network Camera



WizSense

Launched by Dahua Technology, Dahua WizSense is a full portfolio of solutions composed of project-oriented products including IPC, NVR, PTZ, XVR, Thermal and software platform which adopts industry-leading deep learning algorithms. Focusing on customer's requirements, WizSense provides precise, reliable and comprehensive AI solutions for verticals.

Series Overview

Powered by its advanced deep learning algorithms, Dahua WizSense 4 Series cameras are ahead of their time advancing functions such as perimeter protection, smart motion detection and face detection. With its Starlight sensors and large aperture lenses, cameras in this series deliver excellent image quality even in environments with low illuminance. This series is IP67-rated and IK10-rated (depending on the model) giving you the confidence and precision you are looking for in a camera.

Functions

Smart H.265+ & Smart H.264+

With advanced scene-adaptive rate control algorithm, Dahua smart encoding technology realizes the higher encoding efficiency than H.265 and H.264, provides high-quality video, and reduces the cost of storage and transmission.

SMD 4.0

Dahua Smart Motion Detection technology works with intelligent algorithms to classify targets that trigger motion detection alarms. It filters out objects that are not targets, such as small and large animals, to avoid triggering false alarms. With an AI NVR, Quick Pick technology becomes available, allowing you to easily search for and pick out human and vehicle targets from SMD event videos, prioritizing the highest matches.

Perimeter Protection

With deep learning algorithm, Dahua Perimeter Protection technology can recognize human and vehicle accurately. In restricted area (such as pedestrian area and vehicle area), the false alarms of intelligent detection based on target type (such as tripwire, intrusion) are largely reduced.

- 1/2.7" CMOS image sensor, excellent low luminance performance and high definition of images.
- Outputs max. 6 MP (3072 × 2048) @25/30 fps.
- H.265 codec, high compression rate, ultra-low bit rate.
- Built-in IR LED, max. IR distance: 50 m.
- ROI, SMART H.264 +/H.265+, AI H.264/H.265, flexible coding, applicable to various bandwidth and storage environments.
- Rotation mode, WDR, 3D NR, HLC, BLC, digital watermarking, applicable to various monitoring scenes.
- Supports the AFSA (Anti-flicker Self-adaption) function, which automatically eliminates flicker.
- Intelligent detection: Intrusion, tripwire (support the classification and accurate detection of vehicle and human); face detection.
- Abnormality detection: Motion detection, privacy masking, scene changing, audio detection, no SD card, SD card full, SD card error, network disconnection, IP conflict, illegal access, and voltage detection.
- Max. 256 G Micro SD card. built-in Mic.
- 12 VDC/PoE power supply, easy for installation.
- IP67 protection.
- SMD 4.0



Face Detection

Dahua Face Detection technology can detect the face in the image. With deep learning algorithm, the technology supports detecting, tracking, capturing and selecting the best face image, and then outputs face snapshot.

Protection (IP67, Wide Voltage)

IP67: The camera passes a series of strict test on dust and soak. It has dust-proof function, and the enclosure can work normal after soaking in 1 m deep water for 30 minutes.

Wide voltage: The camera allows ±30% (for some power supplies) input voltage tolerance (wide voltage range), and it is widely applied to outdoor environment with instable voltage.

Cyber Security

Dahua network cameras employ a series of security technologies, including security authentication and authorization, access control protocols, trusted protection, encrypted transmission and encrypted storage. These technologies improve the camera's defense against external cyber threats and prevent malicious programs from comprising the device.

Technical Specification

Camera

Image Sensor	1/2.7" CMOS
Max. Resolution	3072 (H) × 2048 (V)
ROM	128 MB
RAM	1 GB
Scanning System	Progressive
Electronic Shutter Speed	Auto/Manual 1/3 s–1/100,000 s
Min. Illumination	0.005 lux@F1.4 (Color, 30 IRE) 0.0005 lux@F1.4 (B/W, 30 IRE) 0 lux (Illuminator on)
S/N Ratio	> 56 dB
Illumination Distance	Up to 50 m (164.04 ft)
Illuminator On/Off Control	Auto/Manual
Illuminator Number	2 (IR LED)
Pan/Tilt/Rotation Range	Pan: 0°–360°; Tilt: 0°–78°; Rotation: 0°–360°

Lens

Lens Type	Fixed-focal				
Lens Mount	M12				
Focal Length	2.8 mm; 3.6 mm; 6 mm				
Max. Aperture	F1.4				
Field of View	2.8 mm: Horizontal: 97°; Vertical: 71°; Diagonal: 129° 3.6 mm: Horizontal: 80°; Vertical: 57°; Diagonal: 107° 6 mm: Horizontal: 50°; Vertical: 37°; Diagonal: 64°				
Iris Control	Fixed				
Close Focus Distance	2.8 mm: 1.1 m (3.61 ft) 3.6 mm: 1.7 m (5.58 ft) 6 mm: 3.3 m (10.83 ft)				
DORI Distance	Lens	Detect	Observe	Recognize	Identify
	2.8 mm	64.0 m (209.97 ft)	25.4 m (83.33 ft)	12.7 m (41.67 ft)	6.40 m (21.00 ft)
	3.6 mm	85.4 m (280.18 ft)	34.2 m (112.20 ft)	17.1 m (56.10 ft)	8.50 m (27.89 ft)
	6 mm	124.0 m (406.82 ft)	49.6 m (162.73 ft)	24.8 m (81.36 ft)	12.40m (40.68 ft)

Intelligence

IVS (Perimeter Protection)	Tripwire, intrusion (support the classification and accurate detection of vehicle and human)
AI SSA	Adopt deep learning algorithms to adjust the parameters of the image to suit the conditions
Quick Pick	With AI NVR, quickly pick up the human/vehicle targets that users are interested in from SMD events
Face Detection	Face detection; track; snapshot; snapshot optimization; optimal face snapshot upload; face enhancement; face exposure; face snapshot set as face or one-inch photo; 3 snapshot strategies (real-time snapshot, optimization snapshot, and quality priority); face angle filter; optimization time setting
Smart Search	Work together with Smart NVR to perform refine intelligent search, event extraction and merging to event videos

Video

Video Compression	H.265; H.264; H.264H; H.264B; MJPEG (only supported by the sub stream)
Smart Codec	Smart H.265+ Smart H.264+
AI Coding	AI H.265 AI H.264
Video Frame Rate	Main stream: 3072 × 2048 @ (1–25/30) fps Sub stream 1: 704 × 576 @ (1–25 fps)/704 × 480 @ (1–30 fps) Sub stream 2: 1920 × 1080 @ (1–25/30 fps) Sub stream 3: 1280 × 720 @ (1–25/30 fps) *The values above are the max. frame rates of each stream; for multiple streams, the values will be subjected to the total encoding capacity
Stream Capability	4 streams
Resolution	6M (3072 × 2048); 5M (2592 × 1944); 4M (2688 × 1520); 3.6M (2560 × 1440); 3M (2048 × 1536); 3M (2304 × 1296); 1080p (1920 × 1080); 1.3M (1280 × 960); 720p (1280 × 720); D1 (704 × 576/704 × 480); CIF (352 × 288/352 × 240); VGA (640 × 480)
Bit Rate Control	CBR/VBR
Video Bit Rate	H.264: 3 kbps–8192 kbps H.265: 3 kbps–8192 kbps
Day/Night	Auto (ICR)/Color/B/W
BLC	Yes
HLC	Yes
WDR	120 dB
Scene Self-adaptation (SSA)	Yes
White Balance	Auto; natural; street lamp; outdoor; manual; regional custom
Gain Control	Auto
Noise Reduction	3D NR
Motion Detection	OFF/ON (4 areas, rectangular)
Region of Interest (RoI)	Yes (4 areas)
Smart Illumination	Yes
Defog	Yes
Image Rotation	0°/90°/180°/270° (support 90°/270° with 2688×1520 resolution and lower)
Mirror	Yes
Privacy Masking	4 areas
Audio	
Audio Compression	G.711a; G.711Mu; PCM; G.726; G.723
Alarm	
Alarm Event	No SD card, SD card full, SD card error, network disconnection, IP conflict, illegal access, motion detection, video tampering, tripwire, intrusion, scene changing, audio detection, voltage detection, face detection, SMD and security exception
Network	
Network Port	RJ-45 (10/100 Base-T)

SDK and API	Yes
Network Protocol	IPv4; IPv6; HTTP; TCP; UDP; ARP; RTP; RTSP; RTCP; RTMP; SMTP; FTP; SFTP; DHCP; DNS; DDNS; QoS; UPnP; NTP; Multicast; ICMP; IGMP; NFS; SAMBA; PPPoE; SNMP
Cyber Security	Video encryption; Firmware encryption; Configuration encryption; Digest; WSSE; Account lockout; Security logs; IP/MAC filtering; Generation and importing of X.509 certification; syslog; HTTPS; 802.1x; Trusted boot; Trusted execution; Trusted upgrade
Interoperability	ONVIF (Profile S/Profile G/Profile T); CGI; P2P; Milestone; Genetec
User/Host	20 (Total bandwidth: 64 M)
Storage	FTP; SFTP; Micro SD card (support max. 256 G); NAS
Browser	IE:IE11 Chrome Firefox
Management Software	Smart PSS; DSS; DMSS
Mobile Client	iOS; Android

Certification

Certifications	CE-LVD:EN62368-1; CE-EMC:Electromagnetic Compatibility Directive 2014/30/EU; FCC:47 CFR FCC Part 15, Subpart B; UL/CUL:UL62368-1 & CAN/CSA C22.2 No. 62368-1-14;
----------------	---

Power

Power Supply	12 VDC/PoE (802.3af)
Power Consumption	Basic: 2.75 W (12 VDC); 3.5 W (PoE) Max. (WDR + IR intensity + Intelligence): 5.85W (12 VDC); 6.65 W (PoE)

Environment

Operating Temperature	-40 °C to +60 °C (-40 °F to 140 °F) /Less than 95% RH
Storage Temperature	-40 °C to +60 °C (-40 °F to 140 °F)
Protection	IP67

Structure

Casing	Metal
Product Dimensions	93.6 mm × Φ106.0 mm (3.69" × Φ4.17")
Net Weight	500 g (1.10 lb)
Gross Weight	770 g (1.70 lb)

Ordering Information

Type	Model	Description
6MP Camera	DH-IPC-HDW4666EMP-S-AUS	6MP IR Fixed-focal Eyeball WizSense Network Camera
Accessories (Optional)	PFA139	Junction Box
	PFB204W	Wall Mount
	PFA106	Ceiling Mount
	PFB220C	Ceiling Mount
	PFA152-E	Pole Mount
	PFM321D	12 VDC 1 A Power Adapter
	LR1002-1ET/1EC	Single-port Long Reach Ethernet Over Coax Extender
	PFM900-E	Integrated Mount Tester
	TF-P100	TLC SD Card

Accessories

Optional:



PFA139
Junction
Box



PFB204W
Wall
Mount



PFA106
Ceiling
Mount



PFB220C
Ceiling
Mount



PFA152-E
Pole
Mount



PFM321D
12 VDC 1 A
Power Adapter



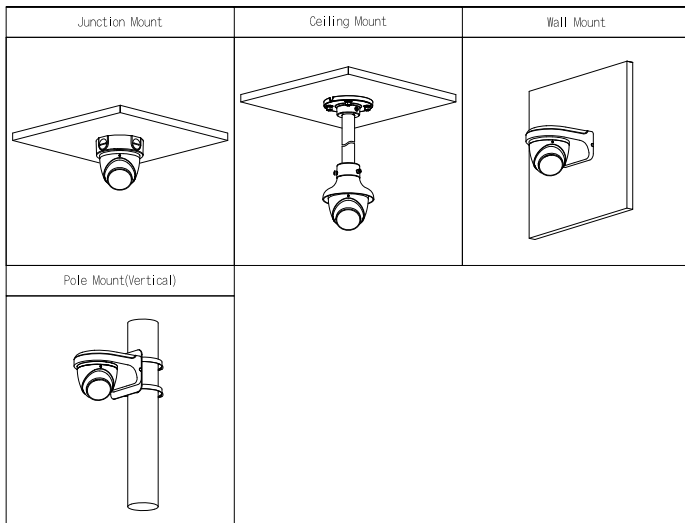
LR1002-1ET/1EC
Single-port Long Reach
Ethernet Over Coax
Extender



PFM900-E
Integrated
Mount Tester



TF-P100
TLC SD
Card



Dimensions (mm[inch])

