



# Electromechanical Door Solutions

**ASSA ABLOY**  
Opening Solutions



The global leader  
in access solutions



# Contents

<b>Electric Strikes</b>	<b>5</b>
<b>Electric Mortice Locks</b>	<b>33</b>
<b>Electromagnetic Locking Solutions</b>	<b>55</b>
<b>Electromechanical Bolts</b>	<b>69</b>
<b>Electric Door Operators and Panic Exit Device</b>	<b>85</b>
<b>Electric Window Actuators</b>	<b>95</b>



# ASSA ABLOY

## **ASSA ABLOY in brief**

ASSA ABLOY is the global leader in door opening solutions, dedicated to satisfying end-user needs for security, safety and convenience.

ASSA ABLOY is represented in all major regions, on both mature and emerging markets, with leading positions in Australia and much of Europe and North America. In the rapidly growing electromechanical security sector, the Group has a leading position in fields such as electromechanical products, access control, identification technology, automatic doors, commercial, government and institutional security.

Since its founding in 1994, ASSA ABLOY has grown from a regional company to an international group. As the world's leading lock group, ASSA ABLOY offers a more complete range of door opening solutions than any other company on the market.

## **ASSA ABLOY Australia**

### **Local manufacturing**

ASSA ABLOY Australia has long been developing innovative electromechanical products. We focus on extensive market research, developing products that exceed market demands.

ASSA ABLOY Australia boasts a precision manufacturing facility and innovative design centre in Melbourne.

### **Extensive product range**

ASSA ABLOY Australia offers one of the most comprehensive electromechanical product ranges in the Australian market today. We specialise in supplying door solutions for all market segments and industries. Our range includes electromechanical solutions for almost any application.

### **Premium quality and reliability**

Our product range is designed and manufactured to surpass the highest Australian and international standards. The Melbourne manufacturing facility includes a state-of-the-art NATA accredited test laboratory. This ensures the undisputed quality and reliability known on the market today.



# Electric Strikes



EL110 Electric Cabinet Lock	6
ES100 Series Electric Strike	8
ES110 Series Electric Strike	10
ES150 Surface Mounted Electric Strike	14
ES200 Series Non Monitored Electric Strike	16
ES2000 Series Monitored Electric Strike	18
ES2100 Series Monitored Electric Strike	20
ES2600 Series Monitored Electric Strike	22
ES300 Series Electric Strike	24
ES3000 Monitored Series Electric Strike	26
ES9000 Series Pre-Load Strike	28

# EL110 Electric Cabinet Lock

## General Description

The EL110 electric cabinet lock is a compact, cast aluminium lock specially designed for cabinets having either swing or sliding doors. The cabinet lock can be surface mounted either vertically or horizontally and offers maximum flexibility for ease of installation.

EL110 can also be controlled by any existing access control system or simply controlled through a remote keypad or keyswitch. The EL110 is cost efficient, robust, easy to install and suitable for one or multiple cabinet applications.

## Key Features

- Fail safe/fail secure changeable on site
- Flexible alignment:  
has a 5mm XY adjustment after installation
- Low current consumption:  
uses only 187mA @ 12Vdc
- Available in 12 or 24Vdc
- Self latching in fail secure mode
- Solenoid rated for continuous use
- Australian designed
- **TRICARE**® 5 Year Warranty


## Applications

- Cabinet locking
- Swing or sliding cabinet doors



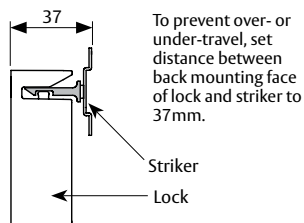
## Standards and Compliance

 CE Approved

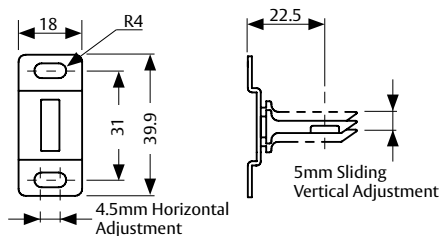
 C-Tick Certified

# EL110 Electric Cabinet Lock

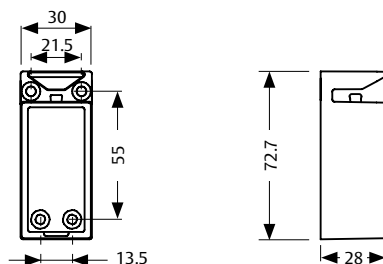
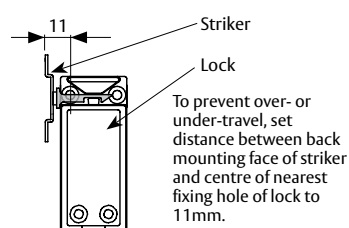
## Front Engagement



## Lock and Strike Dimensions



## Side Engagement



## EL110 Technical Information

<b>Voltage</b>	12 or 24Vdc
<b>Current</b>	187mA @ 12Vdc, 87mA @ 24Vdc
<b>Solenoid</b>	Solenoids are rated for continuous use
<b>Monitoring</b>	None
<b>Strength</b>	Holding force 150kg
<b>Endurance</b>	Cycle tested to 1,000,000 operations
<b>Environment</b>	Operational temperature range -20c to +60c
<b>Body</b>	Cast Aluminium Construction

## Specification Statement

The strike which is to be surface mounted and constructed of cast aluminium, should be self latching when used in fail secure mode. The lock must be capable of being changed from fail safe to fail secure on site. Lock alignment must be adjustable up to 5mm in both "x" and "y" directions both during and after installation. The lock should consume not greater than 187mA @12Vdc or 87mA @ 24Vdc and have a solenoid rated for continuous use. Electrical certifications must include CE and C-tick.

## Ordering Information

Product Description	Part Number
12V Fail Safe Cabinet Lock	111301-000
12V Fail Secure Cabinet Lock	111302-000
24V Fail Secure Cabinet Lock	111304-000

# ES100 Series Electric Strike

## General Description

The ES100 is a cost efficient robust electric strike with a solid construction of one-piece cast aluminium body and stainless steel striker. The ES100 offers the same level of security and reliability usually provided by more expensive electric locking solutions.

Extension lips are available to accommodate the installation of electric strikes on door frames with different thickness. The ES100 product range of patented electric strikes are suitable for use with all access control installations where flexibility, security and lower cost are required.

## Key Features

- Fail safe/fail secure changeable on site
- Stainless steel striker for extra strength and durability
- Stainless steel locking pins
- Multi Voltage 12Vdc and 24Vdc
- Optional mounting kit
- Installation template
- Suitable For 15mm latch with a 3mm door gap
- Australian designed
- **TRICARE**® 5 Year Warranty

## Applications

- Exposed areas
- High traffic areas
- Open in/open out doors
- Suitable for use with all access control systems



## Standards and Compliance



Successfully fire rated up to 4hrs on fire door assemblies in accordance with AS1905.1. 2005 (Part 1: Fire resistant door sets)



Approved to UL1034 (highest level)



CE Approved

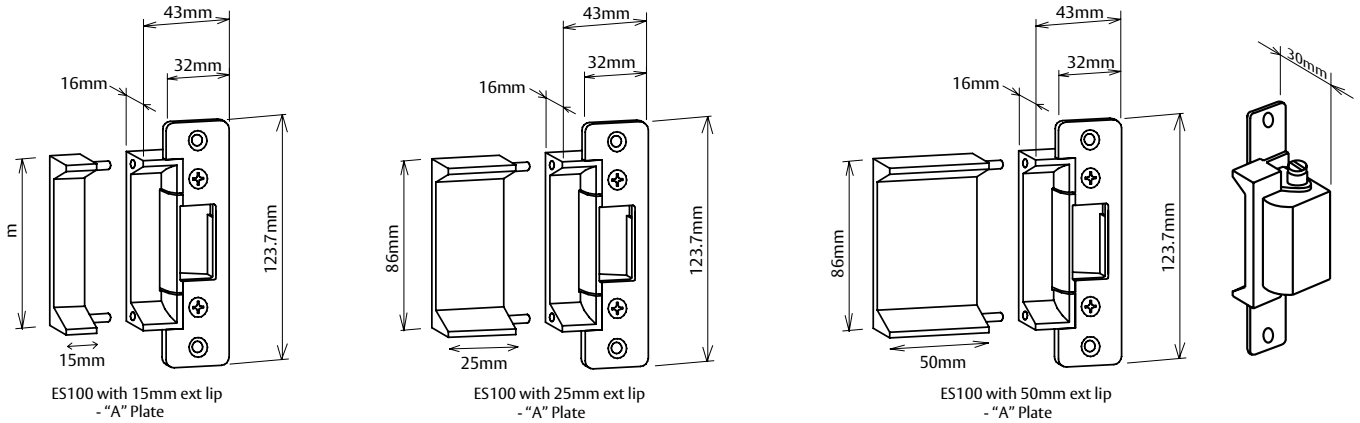


C-Tick Certified

Weather Resistant IP56



# ES100 Series Electric Strike



## ES100 Technical Information

<b>Voltage</b>	12Vdc and 24Vdc
<b>Current</b>	250 mA @ 12Vdc - 125mA @ 24Vdc
<b>Solenoid</b>	Solenoids are rated for continuous use.
<b>Monitoring</b>	None
<b>Holding Force</b>	680 kg Static Strength Rating
<b>Endurance</b>	Cycle tested to 1,000,000 operations
<b>Environment</b>	Operational temperature range -20°C to +60°C Weather resistant construction. (IP56)
<b>Body</b>	Cast Aluminium Construction
<b>Keeper</b>	Stainless Steel

## Ordering Information

Product Description	Part Number
ES101 12/24Vdc PTL W/Res A-Type Rnd Cnr S/Steel F/Plate with Extension Lip Holes	110101-030M
ES101 12/24Vdc PTL W/Res A-Type Rnd Cnr S/Steel F/Plate Lipless	110101-070M

**Note:** For additional face plate options see page 12.

Abbreviation Key	
<b>PTO</b>	Power to Open (Fail Secure)
<b>PTL</b>	Power to Lock (Fail Safe)
<b>W/RES</b>	Weather Resistant
<b>A-Type</b>	Short style face plate with round corners
<b>H-Type</b>	Long style face plate with square corners
<b>H/RND</b>	Long style face plate with round corners (Accessory)
<b>LIPLESS</b>	No Lip on the Lock body
<b>S/STEEL</b>	Stainless Steel
<b>F/PLATE</b>	Face Plate

## Accessories

Product Description	Part Number
15mm Extension Lip	220100-506
25mm Extension Lip	220100-507
50mm Extension Lip	220100-508
Mounting Kit	220200-518
13mm Rebate Plate	210100-523

## Specification Statement

Where Power to Lock and Power to Open functions may be required in the same building, the strike must be interchangeable from either "Power to Lock" or "Power to Open" on site.

The electric strike should not consume current greater than 250 mA @ 12Vdc - 125mA @ 24Vdc and have a solenoid suitable for continuous use. Certifications must include CE, C-tick and 4hr fire rating.

The strike should have a minimum holding force of 680kg, and an endurance rating of 1 million cycles.

# ES110 Series Electric Strike

## General Description

The ES110 is a cost efficient robust electric strike with a solid construction of one-piece cast aluminium body and stainless steel striker. Having a deeper than normal strike-keeper area, ES110 is designed to work with an extensive range of locks and offers the same level of security and reliability usually provided by more expensive electric locking solutions.

Extension lips are available to accommodate the installation of electric strikes on door frames with different thickness. The ES110 product range of patented electric strikes are suitable for use with all access control installations where flexibility, security and lower cost are required.

## Key Features

- Fail safe/fail secure changeable on site
- Stainless steel striker for extra strength and durability
- Stainless steel locking pins
- Multi Voltage 12Vdc and 24Vdc
- Optional mounting kit
- Installation template
- Suitable For 18mm latch with a 3mm door gap
- Australian designed
- **TRICARE**® 5 Year Warranty

## Applications

- Exposed areas
- High traffic areas
- Open in/open out doors
- Suitable for use with all access control systems



## Standards and Compliance



Successfully fire rated up to 4hrs on fire door assemblies in accordance with AS1905.1. 2005 (Part 1: Fire resistant door sets)



Approved to UL1034 (highest level)



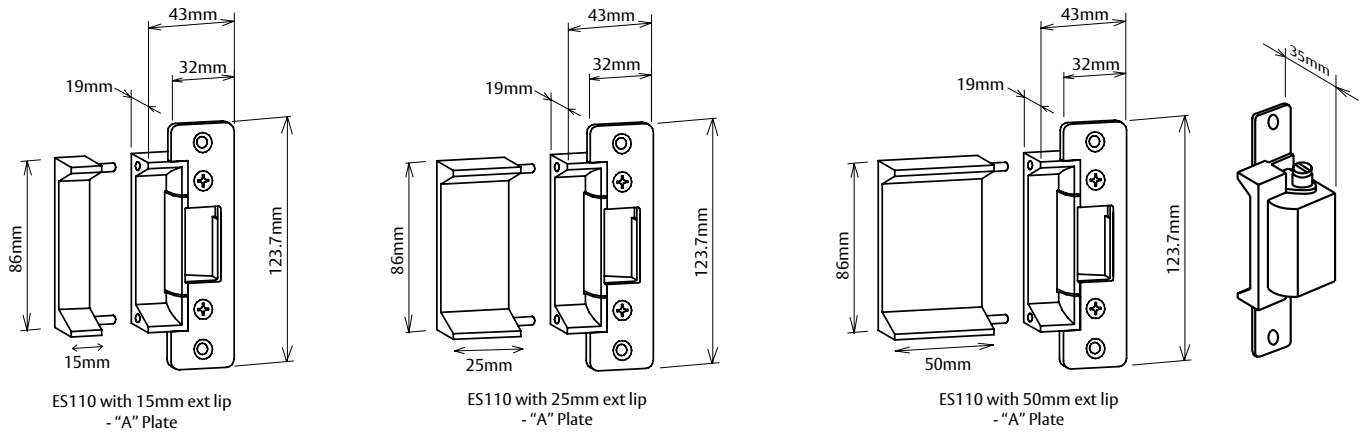
CE Approved



C-Tick Certified

Weather Resistant IP56

# ES110 Series Electric Strike



## ES110 Technical Information

<b>Voltage</b>	12Vdc and 24Vdc
<b>Current</b>	250 mA @ 12Vdc - 125mA @ 24Vdc
<b>Solenoid</b>	Solenoids are rated for continuous use
<b>Monitoring</b>	None
<b>Holding Force</b>	680 kg Static Strength Rating
<b>Endurance</b>	Cycle tested to 1,000,000 operations
<b>Environment</b>	Operational temperature range -20°C to +60°C Weather resistant construction (IP56)
<b>Body</b>	Cast Aluminium Construction
<b>Keeper</b>	Stainless Steel

## Ordering Information

Product Description
ES111 12/24Vdc PTL W/Res A-Type Rnd Cnr S/Steel F/Plate & H/Rnd
ES111 12/24Vdc PTL W/Res H-Type Sq Cnr S/Steel F/Plate Lipless
ES111 12/24Vdc PTL W/Res-H-Type Sq Cnr S/Steel F/Plate & H/Rnd
ES111 12/24Vdc PTL W/Res A-Type Rnd Cnr S/Steel F/Plate Lipless & H/Rnd
ES112 12/24Vdc PTO W/Res A-Type Rnd Cnr S/Steel F/Plate & H/Rnd
ES112 12/24Vdc PTO W/Res H-Type Sq Cnr S/Steel F/Plate

Part Number	Product Description	Part Number
110111-060M	15mm Extension Lip	220110-502
110111-150M	25mm Extension Lip	220110-503
110111-160M	50mm Extension Lip	220110-504
110111-190M	Mounting Kit	220200-518
110112-060M	Rebate Plate	210100-523
110112-140M		

**Note:** For additional face plate options see over the page

**Note:** Strikes comes standard with Extension Lip Holes

Abbreviation Key	
<b>PTO</b>	Power to Open (Fail Secure)
<b>PTL</b>	Power to Lock (Fail Safe)
<b>W/RES</b>	Weather Resistant
<b>A-Type</b>	Short style face plate with round corners
<b>H-Type</b>	Long style face plate with square corners
<b>H/RND</b>	Long style face plate with round corners (Accessory)
<b>LIPLESS</b>	No Lip on the Lock body
<b>S/STEEL</b>	Stainless Steel
<b>F/PLATE</b>	Face Plate

## Specification Statement

Where Power to Lock and Power to Open functions may be required in the same building, the strike must be interchangeable from either "Power to Lock" or "Power to Open" on site.

The electric strike should not consume current greater than 250 mA @ 12Vdc - 125mA @ 24Vdc and have a solenoid suitable for continuous use. Certifications must include CE, C-tick and 4hr fire rating.

The strike should have a minimum holding force of 680kg, and an endurance rating of 1 million cycles.

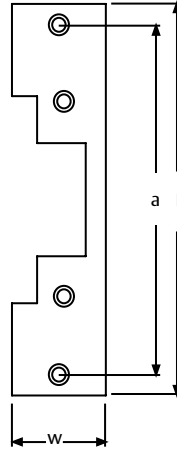
## Accessories

# ES100 / ES110 Faceplate Options

## Faceplates

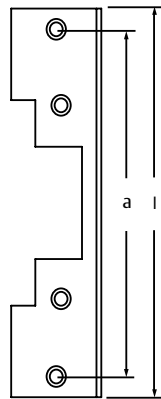
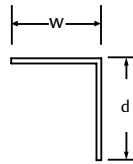
Faceplate Style	l	w	a	Part Number
A (ANSI Short) - SS	123.7	31.7	104.8	210100-544
B (ANSI Long) - SS	201.6	36.3	185.7	210100-530

Note: SS - Stainless Steel



Faceplate Style	l	w	d	a	Part Number
J - AL	201.6	32	16	185.7	210100-523

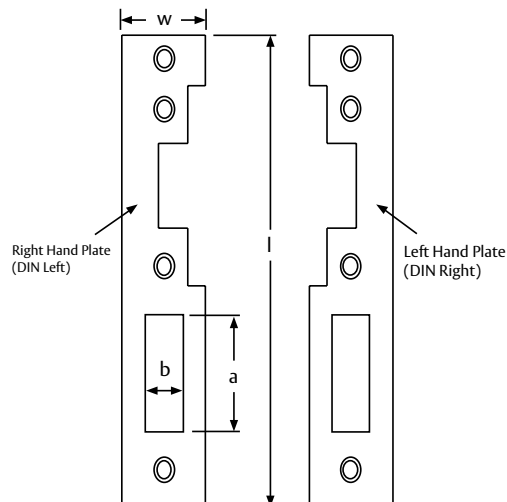
Note: AL - Aluminium



Faceplate Style	l	w	a	b	Part Number
D (Euro Sash RH) [DIN Left] - SS	209	31.7	60	11.7	219100-538
E (Euro Sash LH) [DIN Right] - SS	209	31.7	60	11.7	219100-539
F (UK Sash RH) [DIN Left] - SS	251	25	74	12	210100-528
G (UK Sash LH) [DIN Right] - SS	251	25	74	12	210100-527

Note: SS - Stainless Steel

All face plates are sold separately





# ES150 Series Surface Mounted Electric Strike

## General Description

ES150 is a surface mounted electric strike suitable for use with rim or surface type dead latches. This strike is easy to install and can be simply controlled by a keypad, keyswitch or integrated into any access control system.

ES150 offers high levels of security and features usually provided by more expensive electric locking solutions. The electric strike can be easily installed on steel and wooden door frames.

## Key Features

- Fail safe/fail secure changeable on site
- Easy installation suitable for steel and wooden door frames
- Stainless steel striker for extra strength and durability
- Multi Voltage 12Vdc and 24Vdc
- Solenoid rated for continuous use
- IP56 weather resistant
- Australian designed
- **TRICARE**® 5 Year Warranty


## Applications

- Surface or rim mounted applications
- Suitable for use with all access control systems
- Exposed areas
- Exterior Applications



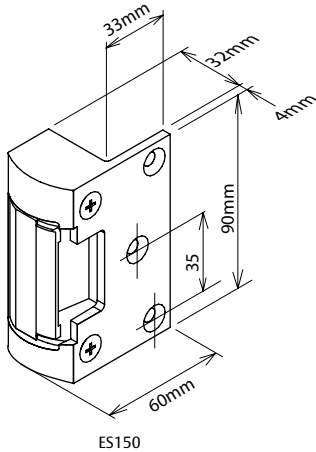
## Standards and Compliance

 CE Approved

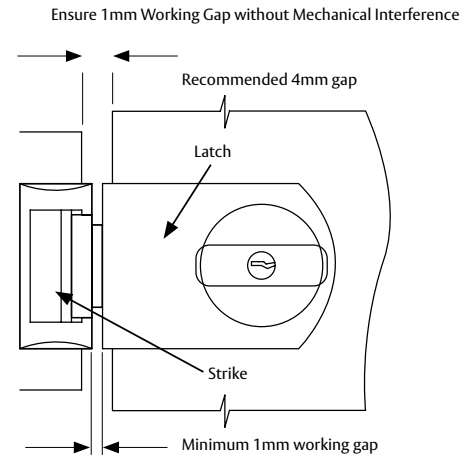
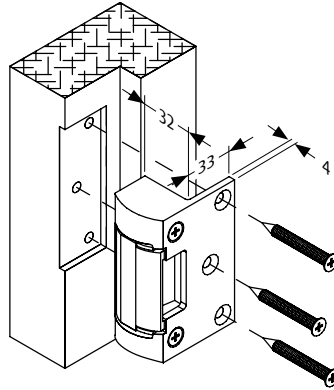
 C-Tick Certified

IP56 Rated

# ES150 Series Surface Mounted Electric Strike



ES150



## ES150 Technical Information

<b>Voltage</b>	12VDC and 24Vdc
<b>Current</b>	250mA @12Vdc / 125mA @ 24VDC
<b>Solenoid</b>	Solenoids rated for continuous use
<b>Monitoring</b>	None
<b>Holding Force</b>	680kg Static Strength Rating
<b>Endurance</b>	Cycle tested to 1,000,000 operations
<b>Environment</b>	Operational temperature range - 20°C to +60°C Weather resistant (IP56)
<b>Body</b>	Solid Stainless Steel Construction
<b>Keeper</b>	Stainless Steel

## Ordering Information

Product Description	Part Number
ES151 12/24Vdc PTL W/Res	110151-010M
ES152 12/24Vdc PTO W/Res	110152-010M

Abbreviation Key	
<b>PTO</b>	Power to Open (Fail Secure)
<b>PTL</b>	Power to Lock (Fail Safe)
<b>W/RES</b>	Weather Resistant
<b>A-Type</b>	Short style face plate with round corners
<b>H-Type</b>	Long style face plate with square corners
<b>H/RND</b>	Long style face plate with round corners (Accessory)
<b>LIPLESS</b>	No Lip on the Lock body
<b>S/STEEL</b>	Stainless Steel
<b>F/PLATE</b>	Face Plate

## Specification Statement

The electric strike must be suitable for surface mount applications for use with rim or surface mount door locks.

Where Power To Lock and Power To Open functions may be required in the same building, an individual strike is interchangeable from either "Power to Lock" or "Power to Open" on site.

The electric strike should not consume current greater than 250mA @ 12Vdc / 125mA @ 24Vdc. Certifications must include CE and C-Tick.

The strike should be tested to 1 million operations and have a minimum holding force not less than 680kg.

# ES200 Series Electric Strike

## General Description

The ES200 series electric strikes are high security products manufactured from cast stainless steel and designed for use with all access control systems. The strikes are suitable for use with hinged doors which require either fire or security control as part of a building management system.

These strikes are flexible and can be changed from fail safe to fail secure, mounted on the left or right hand side of the door and are available in 12 or 24Vdc.

They offer a strong, dependable and long-lasting electric strike solution.

## Key Features

- Fail safe/fail secure changeable on site
- High security
- 4 Hour fire rating
- 850kg holding force
- 1 million cycles endurance rating
- Cast stainless steel body
- Stainless steel locking pins
- Low Current consumption – Max 175mA @12Vdc
- Mounting kit supplied as standard
- Australian designed
- **TRICARE**® 5 Year Warranty

## Applications

- High traffic areas
- Fire rated door sets
- Open in/open out doors
- Suitable for use with all access control systems





## Standards and Compliance

**S3** (Security) Australian Lock Standard (AS4145.2.1993)

**D3** (Durability) Australian Lock Standard (AS4145.2.1993)

**BSI** BS 5872 Approved

 Successfully fire rated up to 4hrs on fire door assemblies in accordance with AS1905.1. 2005 (Part 1: Fire resistant door sets)

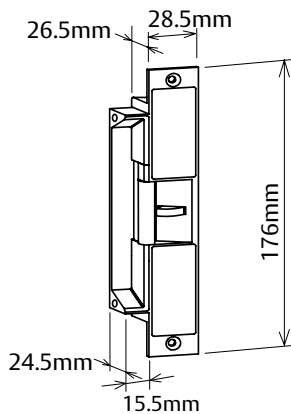
 Approved to UL1034 (highest level)

 CE Approved

 C-Tick Certified



# ES200 Series Electric Strike



ES200 with 75mm Extension Lip

## ES200 Technical Information

<b>Voltage</b>	12 or 24Vdc
<b>Current</b>	175 mA @ 12Vdc - 88 mA @ 24Vdc
<b>Solenoids</b>	Solenoids are rated for continuous use
<b>Monitoring</b>	None
<b>Holding Force</b>	850kg Static Strength Rating
<b>Endurance</b>	Cycle tested to 1,000,000 operations
<b>Latch</b>	Suitable for 15mm latch bolt with 3mm door gap
<b>Environment</b>	Operational temperature range -20°C to +60°C
<b>Body</b>	Solid Stainless Steel Construction
<b>Keeper</b>	Stainless Steel

## Ordering Information

Product Description	Part Number
12V Fail Safe Electric Strike	110201-000
12V Fail Secure Electric Strike	110202-000
24V Fail Safe Electric Strike	110203-000

**Note:** If an Extension Lip is required use Model ES2100 Page 20.

## Specification Statement

The strike should be constructed of solid stainless steel, have a minimum holding force of 850kg and have an endurance rating of 1 million cycles. The one strike must be changeable from fail safe to fail secure on site where required. The strike should not consume current greater than 175mA at 12Vdc and have a solenoid rated for continuous use. Certifications must include CE, C-Tick and 4 hr fire rating.

## Accessories

Product Description	Part Number
13mm Rebate Plate	210100-541

# ES2000 Series Monitored Electric Strike

## General Description

The ES2000 series electric strikes are fully monitored high security products manufactured from cast stainless steel and designed for use with all access control systems. The strikes are suitable for use with hinged doors which require either fire or security control as part of a building management system.

These strikes are flexible and can be changed from fail safe to fail secure, mounted on the left or right hand side of the door and are available in 12 Vdc.

They offer a strong, dependable and long-lasting electric strike solution with a 850kg holding force and endurance rating of 1 million cycles.

## Key Features

- Fully monitored – strike locked and door latched
- Fail safe/fail secure changeable on site
- High security
- 4 Hour fire rating
- 850kg holding force
- 1 million cycles endurance rating
- Cast stainless steel body
- Stainless steel locking pins
- SCEC Endorsed
- Low Current consumption – Max 175ma @12Vdc
- Solenoid rated for continuous use
- Mounting kit supplied as standard
- Australian designed
- **TRICARE**® 5 Year Warranty

## Applications

- High traffic areas
- Fire rated door sets
- Open in/open out doors
- Suitable for use with all access control systems





## Standards and Compliance


**S3** (Security) Australian Lock Standard (AS4145.2.1993)

**D3** (Durability) Australian Lock Standard (AS4145.2.1993)

**BSI** BS 5872 Approved

 Successfully fire rated up to 4hrs on fire door assemblies in accordance with AS1905.1. 2005 (Part 1: Fire resistant door sets)

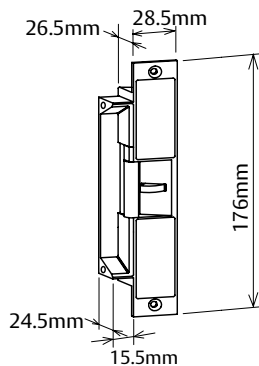
 Approved to UL1034 (highest level)

 CE Approved

 C-Tick Certified

SCEC endorsed for secure areas

# ES2000 Series Monitored Electric Strike



ES2000 with 75mm Extension Lip

## ES2000 Technical Information

<b>Voltage</b>	12Vdc
<b>Current</b>	175 mA @ 12Vdc
<b>Solenoids</b>	Solenoids are rated for continuous use
<b>Monitoring</b>	Solenoid Monitor - 1 amp NO/NC microswitch Door/Latch Monitor - 1 amp NO/NC microswitch
<b>Holding Force</b>	850kg Static Strength Rating
<b>Endurance</b>	Cycle tested to 1,000,000 operations
<b>Latch</b>	Suitable for 15mm latch bolt with 3 mm door gap
<b>Environment</b>	Operational temperature range - 20°C to +60°C
<b>Body</b>	Solid Stainless Steel Construction
<b>Keeper</b>	Stainless Steel

## Ordering Information

Product Description	Part Number
12V Fail Safe Electric Strike	112001-000
12V Fail Secure Electric Strike	112002-000
12v ES2400 Fail Safe Electric Strike	112401-000

**Note:** If an Extension Lip is required use Model ES2100 Page 20.

## Specification Statement

The strike should be constructed of solid stainless steel, have a minimum holding force of 850kg and have an endurance rating of 1 million cycles. Monitoring must include independent door / latch & solenoid monitoring. The one strike must be changeable from fail safe to fail secure on site where required. The strike should not consume current greater than 175mA at 12Vdc and have a solenoid rated for continuous use. Certifications must include CE, C-Tick and 4 hr fire rating.

## Accessories

Product Description	Part Number
13mm Rebate Plate	210100-541

# ES2100 Series Monitored Electric Strike



## General Description

The ES2100 is the latest product to join the iconic Trimec range of electric strikes. Tested in accordance with Australian standards this strike offers superior strength, and is durability tested to 1.5 million operations.

Standard features include variable voltage, patented field selectable fail safe/fail secure mode change and a unique integrated door position switch.

## Integrated Door Position Switch

The ES2100 now offers a unique new monitoring feature not available in other strikes on the market today. The strike has an integrated reed switch that when combined with a specialised Lockwood mortice lock, provides door position monitoring. The strike is supplied with a standard door magnet for use with cylindrical latches. Lockwood mortice locks and face plate accessories are sold separately.

## Key Features

- Patented field selectable fail safe/fail secure
- Multi voltage 10–30Vdc
- Fully monitored:
  - Integrated door position (reed) switch
  - Solenoid/Locked
  - Latch position

- 1000kg holding force
- 4hr fire rating
- Mounting tabs as supplied standard
- **TRIGARE**® 5 Year Warranty

## Applications

- High traffic areas
- Fire rated door sets
- Open in/open out doors
- Suitable for use with all access control systems
- Doors requiring additional door position monitoring

## Standards and Compliance

**SL8** (Security) Australian Lock Standard (AS4145.2.2008)

**D8** (Durability) Australian Lock Standard (AS4145.2.2008)



Successfully fire rated up to 4hrs on fire door assemblies in accordance with AS1905.1. 2005



CE Approved

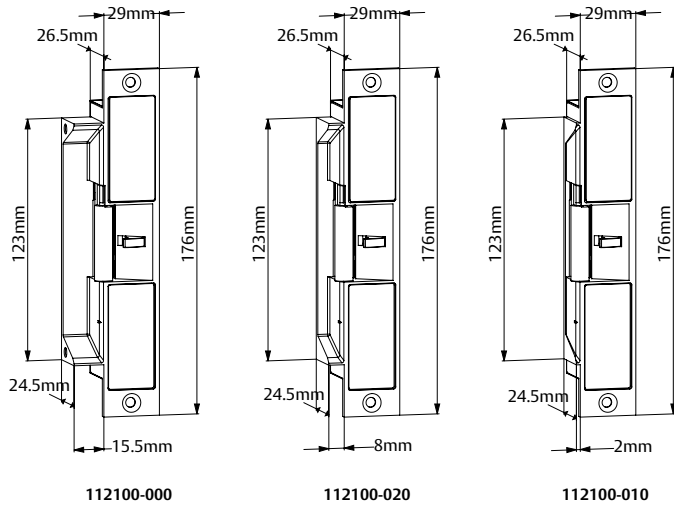


C-Tick Certified

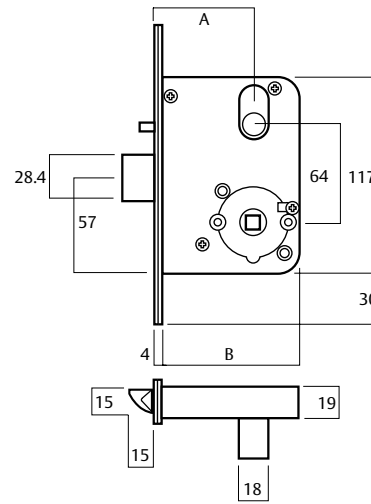
SCEC Approved for Security Level 3

IP 54 Rated

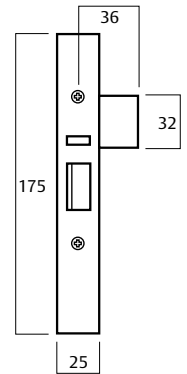
# ES2100 Series Monitored Electric Strike



ES2100 Electric Strike



3570 Series Mortice Lock



Magnet Faceplate

ES2100 Technical Information	
<b>Voltage</b>	Variable 10–30Vdc
<b>Current</b>	200mA @ 12Vdc – 120mA @ 24Vdc
<b>Solenoids</b>	Rated for continuous use
<b>Monitoring</b>	Latch Strike locked Door position (reed switch)
<b>Holding force</b>	1000kg static strength rating
<b>Endurance</b>	Cycle tested to 1.5 million operations
<b>Latch</b>	Suitable for 15mm latch bolt with 3mm door gap
<b>Body</b>	Stainless Steel
<b>Keeper</b>	Stainless Steel
<b>Environment</b>	Operational temperature range -20°C to +60°C

	STD Backset	Extended Backset
<b>Dimension A</b>	60	127
<b>Dimension B</b>	84	151

## Specification Statement

The strike should be constructed of solid stainless steel, have a minimum holding force of 1000kg and an endurance rating of 1.5 million cycles. Monitoring must include independent latch and solenoid monitoring. The strike shall have an integrated reed switch for door position monitoring and used in conjunction with Lockwood 3572MAGSC mortice lock or tubular latch with door magnet. Certifications must include CE, C-tick and 4 hr fire rating.

## Ordering Information

Product Description	Part Number
ES2100 Multifunction Strike 10-30Vdc Standard Lip with Extension Lip Holes	112100-000
ES2100 Multifunction strike 10-30Vdc No Lip	112100-010
ES2100 Multifunction strike 10-30Vdc 8mm Lip	112100-020

## Accessories

Product Description	Part Number
Lockwood 3572 Series Primary lock with magnet face plate	3572MAGSC
Magnet face plate – suits Lockwood 3570 series mortice lock	SP3570-2100SSS
Mounting Kit	220200-519
13mm Rebate Plate	210100-541
25mm Extension Lip (40.5mm total)	220200-505
50mm Extension Lip (65.5mm total)	220200-506
75mm Extension Lip (90.5mm total)	220200-507

## Ordering Notes:

When using integrated door position switch monitoring:

- Electric strikes are supplied with door magnet for cylindrical locksets only.
- Lockwood Mortice Locks and face plates are sold separately.
- All strikes are factory set to fail safe (PTL) configuration. Lock mode is easily set, post purchase, to fail secure (PTO) configuration, if required

# ES2600 Series Monitored Electric Strike

## General Description

The ES2600 Series surface mounted electric strikes are high security products manufactured from solid stainless steel and designed to be used with existing and new panic bars fitted to emergency doors.

When used in conjunction with a standard access control system, these strikes convert “Exit only” doors with “Pullman type” latches into a full access controlled door, thereby allowing authorised access from the secure side.

The ES2600 series are fully monitored with both solenoid and latch/door monitoring functions & can be changed from fail safe to fail secure on site.

## Key Features


- Fail safe/fail secure changeable on site
- High security
- Available in 12 or 24Vdc
- 650kg holding force
- 1 million cycles endurance rating
- Body depth only 27mm
- Cast stainless steel body
- Low current consumption – max 175Ma @ 12Vdc
- Continuously rated solenoid
- Installation template
- Australian designed
- **TRICARE**® 5 Year Warranty

## Applications

- For use with panic bars
- Surface mount
- Egress doors
- Fire rated door sets
- Open out door sets
- Suitable for use with all access control systems



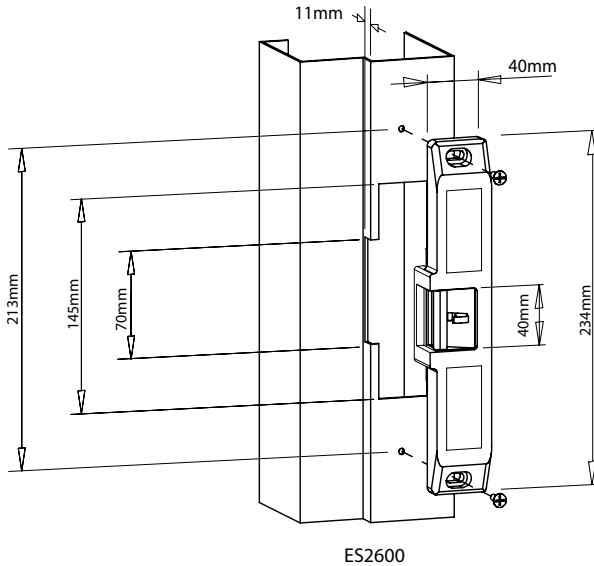
## Standards and Compliance

 Approved to UL1034 (highest level)

 CE Approved

 C-Tick Certified

# ES2600 Series Monitored Electric Strike



## ES2600 Technical Information

<b>Voltage</b>	12 or 24Vdc
<b>Current</b>	175mA @ 12Vdc – 88mA @ 24Vdc
<b>Solenoids</b>	Solenoids rated for continuous use
<b>Monitoring</b>	Solenoid Monitor – 1 amp NO/NC microswitch Door / Latch Monitor – 1 amp NO/NC microswitch
<b>Holding Force</b>	650kg Static Strength Rating
<b>Endurance</b>	Cycle tested to 1,000,000 operations
<b>Additional</b>	Anti friction roller (patented) Suits panic bars with 15 to 20mm Pullman latch projection
<b>Environment</b>	Operational temperature range - 20C to +60C
<b>Body</b>	Solid Stainless Steel Construction
<b>Keeper</b>	Stainless Steel

## Specification Statement

The strike should be constructed of solid stainless steel, have a minimum holding force of 650kg and have an endurance rating of 1 million cycles. Maximum penetration into the door frame should not exceed 12mm. The one strike must be changeable from fail safe to fail secure on site where required. The strike should not consume current greater than 175mA at 12Vdc and have a solenoid rated for continuous use. Certifications must include CE and C-Tick.

## Ordering Information

Product Description	Part Number
12V Fail Safe with Roller Keeper for Panic Bar	112601-000

# ES300 Series Electric Strike

## General Description

The ES300 series electric strikes are designed for high security applications and manufactured from solid stainless steel.

These strikes are extremely flexible and can be changed from fail safe to fail secure and mounted on the left or right hand side of the door, thus reducing the amount of variants needed to cover each application.

## Key Features


- Fail safe/fail secure changeable on site
- Available in 12 or 24Vdc
- 850kg holding force
- 1 million cycles endurance rating
- Stainless Steel locking pins
- Continuously rated solenoid
- Optional mounting kit
- **TRICARE**® 5 Year Warranty

## Applications

- Timber or metal doors
- Open in/open out doors
- Suitable for use with all access control systems



## Standards and Compliance

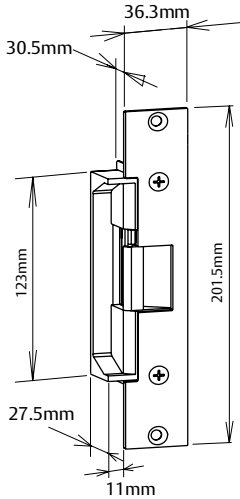
 Approved to UL1034 (highest level)

 CE Approved

 C-Tick Certified



# ES300 Series Electric Strike



ES300 Wide Extension Lip

## ES2600 Technical Information

<b>Voltage</b>	12 or 24Vdc
<b>Current</b>	175mA @ 12Vdc – 88mA @ 24Vdc
<b>Solenoids</b>	Solenoids rated for continuous use
<b>Monitoring</b>	None
<b>Holding Force</b>	850kg Static Strength Rating
<b>Endurance</b>	Cycle tested to 1,000,000 operations
<b>Environment</b>	Operational temperature range -20°C to +60°C
<b>Body</b>	Solid Stainless Steel Construction
<b>Keeper</b>	Stainless Steel
<b>Latch</b>	Suit 18mm latch bolt with 3 mm door gap

## Specification Statement

The strike should be constructed of stainless steel, have a minimum holding force of 850kg and have an endurance rating of 1 million cycles. The one strike must be changeable from fail safe to fail secure on site where required. The strike should not consume current greater than 175mA @ 12Vdc and have a solenoid rated for continuous use. Certifications must include CE and C-Tick.

## Ordering Information

Product Description
12V Fail Safe Large Stainless Steel Faceplate - Wide Ext Lip (SEC)
12V Fail Secure Large Stainless Steel Faceplate - Wide Ext Lip (SEC)
24V Fail Safe Large Stainless Steel Faceplate - Wide Ext Lip (SEC)
24V Fail Secure Large Stainless Steel Faceplate - Wide Ext (SEC)

Part Number
110321-030
110322-030
110323-030
110324-030

## Accessories

Product Description	Part Number
Mounting Kit	220200-519

# ES3000 Monitored Series Electric Strike

## General Description

The ES3000 series electric strikes are designed for high security applications and manufactured from solid stainless steel.

These long ANSI strikes offer a strong dependable and long-lasting electric strike solution and are suitable for use with any access control system.

These strikes are extremely flexible and can be changed from fail safe to fail secure and mounted on the left or right hand side of the door, thus reducing the amount of stock needed to cover each application.

## Key Features


- Fail safe/fail secure changeable on site
- Available in 12 or 24Vdc
- 850kg holding force
- Suitable for 18mm latches with 3mm door gap
- 1 million cycles endurance rating
- Stainless Steel locking pins
- Continuously rated solenoid
- Optional mounting kit
- Australian designed
- **TRICARE**® 5 Year Warranty

## Applications

- Timber or metal doors
- Open in/open out doors
- Suitable for use with all access control systems



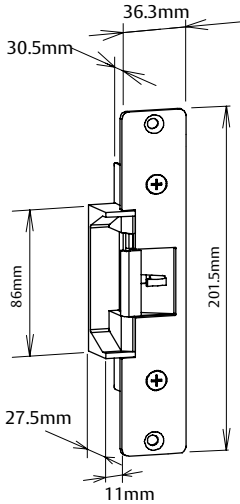
## Standards and Compliance

 Approved to UL1034 (highest level)

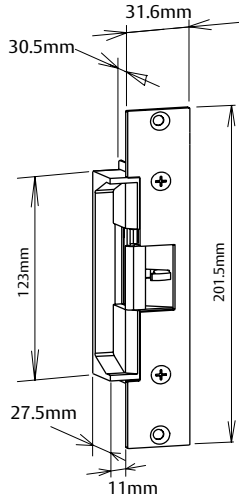
 CE Approved

 C-Tick Certified

# ES3000 Monitored Series Electric Strike



ES3000 ANSI Extension Lip



ES3000 Harcor Face Plate Wide Extension Lip

## ES3000 Technical Information

<b>Voltage</b>	12 or 24Vdc
<b>Current</b>	175mA @ 12Vdc – 88mA @ 24Vdc
<b>Solenoid</b>	Solenoids rated for continuous use
<b>Monitoring</b>	Solenoid Monitor - 1 amp NO/NC microswitch Door / Latch - 1 amp NO/NC microswitch
<b>Holding Force</b>	850kg static strength rating
<b>Endurance</b>	Cycle tested to 1,000,000 operations
<b>Environment</b>	Operational temperature range -20°C to +60°C
<b>Body</b>	Solid stainless steel construction
<b>Keeper</b>	Stainless Steel

## Specification Statement

The strike should be constructed of solid stainless steel, have a minimum holding force of 850kg and have an endurance rating of 1 million cycles. Monitoring must include independent door / latch & solenoid monitoring. The one strike must be changeable from fail safe to fail secure on site where required. The strike should not consume current greater than 175mA @ 12Vdc and have a solenoid rated for continuous use. Certifications must include CE and C-Tick.

## Ordering Information

Product Description	Part Number
<b>ES3000 Series - ANSI Extension LIP</b>	
12V Fail Safe Large Stainless Steel Faceplate	113101-000
<b>ES3000 Series - Wide Extension LIP</b>	
12V Fail Safe Large Stainless Steel Faceplate (SEC)	113201-030
24V Fail Safe Large Stainless Steel Faceplate (SEC)	113203-030

# ES9000 Series Pre-Load Strike

## General Description

The ES9000 has been designed to suit the harshest commercial environments, and has the unique feature of the ability to operate with up to 25kg of pre-load pressure on the keeper. Pre-load is a common condition that is caused by pulling on a door before it unlocks, the weight of warped or drooping doors, seals on fire doors, or by differential air pressure created when heating and cooling systems are in use.

Standard features include multi voltage 10 - 30Vdc and field changeable settings from fail safe to fail secure.

Built to last, this is a premium locking solution that has been tested in excess of 2 million cycles and boasts unique features like no other available on the market today.

## Key Features

- Operates under pre load up to 25kg
- Easy field selectable fail safe/fail secure
- Multi voltage 10-30Vdc
- 1300kg holding force
- 2.5 million cycles endurance rating
- Latch keeper is significantly quieter in operation
- Weather resistant
- Mounting tabs as standard
- Non handed
- Australian designed and made
- **TRICARE**® 5 Year Warranty

## Applications

- High traffic areas
- Doors subjected to side load (pre load)
- Fire rated door sets
- Open in/open out doors
- Suitable for use with all access control systems



## Standards and Compliance

**S3** (Security) Australian Lock Standard (AS4145.2.1993)

**D3** (Durability) Australian Lock Standard (AS4145.2.1993)



Successfully fire rated up to 4hrs on fire door assemblies in accordance with AS1905.1. 2005 (Part 1: Fire resistant door sets)



CE Approved

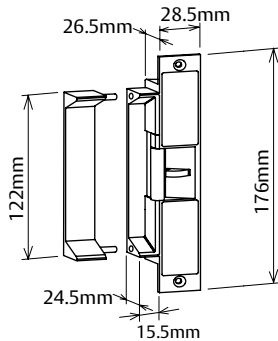


C-Tick Certified

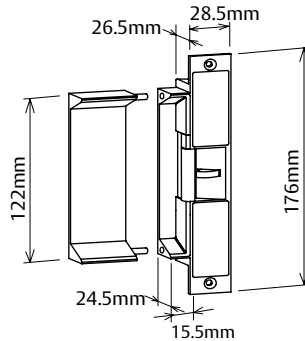
IP 54 Rated

SCEC Approved for Security Level 3

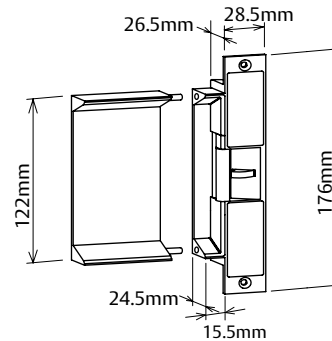
# ES9000 Series Pre-Load Strike



ES9000 with 25mm Extension Lip



ES9000 with 50mm Extension Lip



ES9000 with 75mm Extension Lip

## ES9000 Pre-Load Strike Technical Information

<b>Voltage</b>	10 – 30Vdc
<b>Current</b>	250mA @12Vdc – 130mA @24Vdc
<b>Solenoids</b>	Solenoid rated for continuous use
<b>Electrical protection</b>	Polarity and back EMF protected
<b>Monitoring</b>	Solenoid Monitor – 1 amp NO/NC microswitch Door / Latch Monitor – 1 amp NO/NC microswitch
<b>Holding force</b>	1300kg static strength rating
<b>Endurance</b>	1,200,000 cycles endurance rating @ 25kg pre-load 2,500,000 cycles general durability without pre-load conditions
<b>Latching</b>	Suitable for 15mm latch with 3mm door gap
<b>Environment</b>	Operational temperature range - 20C to +60C
<b>Body</b>	Solid Stainless Steel Construction
<b>Keeper</b>	Stainless Steel

## Ordering Information

Product Description	Part Number
ES9000 Pre - Load Multi Function Strike with Standard 15.5mm Lip	119001-000
ES9000 Pre - Load Multi Function Strike - No Lip	119001-010
ES9000 Pre - Load Multi Function Strike - 8mm Lip	119001-020
ES9000 Pre - Load Multi Function Strike - with Extension Lip Holes	119001-060
25mm Lip Extension (40.5mm Total) to suit 119001-060	220200-505
50mm Lip Extension (65.5mm Total) to suit 119001-060	220200-506
75mm Lip Extension (90.5mm Total) to suit 119001-060	220200-507

Note: All ES9000 series electric strikes are supplied in Fail Safe configuration.

## Specification Statement

The electric strike should be fully monitored and have independent door / latch and solenoid monitor switches. Holding force for the strike should be not less than 1300kg.

Where Power to Lock and Power to Open functions may be required in the same building, a single electric strike should be interchangeable from either fail safe or fail secure from the rear of the strike.

The electric strike should not consume current greater than 250mA @ 12Vdc and have a solenoid rated for continuous use. A fire rating not less than 4 hours is required where applicable. The strike must be capable of operating with up to 25kg of pre-load pressure applied to the keeper, be tested to 2.5 million operations and carry a minimum warranty of 5 years.



## Tested to 3 million cycles... and counting

The ES9000 is now approved by the Security Construction and Equipment Committee (SCEC) for Access Control in Secure Areas (Security Level 3).

- Operates under Pre-load up to 25 kg
- Easy field selectable fail safe / fail secure
- Multi voltage 10- 30 Vdc
- Designed and manufactured in Australia





## Demand The Original

SINCE ITS LAUNCH MANY HAVE TRIED TO COPY TRIMEC  
AND FAILED. TRIMEC, OFTEN IMITATED, NEVER DUPLICATED.







# Electric Mortice Locks



3570 Series Electric Mortice Lock	34
3579 Series Electric Mortice Lock	40
3579HS Series Electric Mortice Lock	42
Hi -O Room Guard Locking System	44
3580 Series Electric Mortice Lock	46
Power Transfer Lead	52

# 3570 Series Electric Mortise Lock

## General Information

Designed and manufactured in Australia, the 3570 series electric mortise is a high performance lock of superior quality. It is constructed from high grade zinc alloy, with a stainless steel latch bolt and face plate and is suited for all commercial applications.

The lock can be operated by push buttons, intercom systems and key switches; or integrated with electronic access control systems for use with higher security devices such as keypads or card readers.

## Key Features

Designed with flexibility in mind, the one lock can cover all functions and is easily configured on site for the required application.

Available in non monitored and monitored versions.

### Monitoring features:

- Dead latched and locked
- Door position/Reed switch
- Dual key override monitoring
- Request to exit/REX
- LED indication

### Field Changeable settings:

- Fail safe/fail secure configuration
- Multi-voltage - will work on 12-24 Vdc systems
- Handing - left hand and right hand doors
- Selection of free lever or locked lever on both sides of the door
- Key override monitoring either side of the door
- Monitoring contacts – normally closed, normally open (for key override and request to exit only)



## Standards and Compliance

**S3** (Security) Australian Lock Standard (AS4145.2.1993)  
(when used with equivalent security level keying system)

**D3** (Durability) Australian Lock Standard (AS4145.2.1993)



Successfully fire rated up to 4hrs on fire door assemblies in accordance with AS1905.1. 2005 (Part 1: Fire resistant door sets)

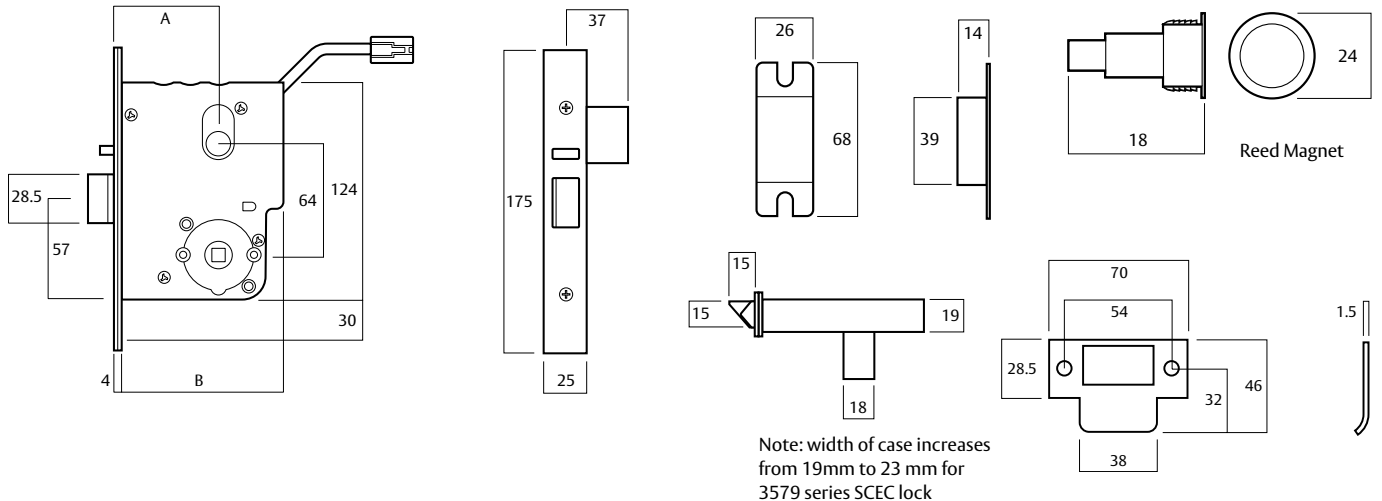


C-Tick Certified

3570 Series: SCEC endorsed for intruder resistant areas

3579 Series: SCEC endorsed for secure areas

# 3570 Series Electric Mortise Lock



Dimension	Backset		
A	60	89	127
B	100	129	167

## 3570 Technical Information

<b>Voltage</b>	12Vdc - 24Vdc Operating Voltage
<b>Current</b>	500mA (max) 80mA holding @ 12Vdc 275mA (max) 50mA holding @ 24Vdc
<b>LED Current</b>	When LED's are fitted, add 15mA (max) to total current draw
<b>Monitoring</b>	Dual Key override Deadlatched Locked Door closed Request to exit Microswitches: 500mA (max) @ 30Vdc each circuit Reedswitch: 100mA (max) @ 30Vdc
<b>Environment</b>	Operational temperature range -20c to + 60c
<b>Case/ Cover</b>	High purity Zinc alloy construction
<b>Backset</b>	60mm standard, 89 & 127 mm available
<b>Latch bolts</b>	Reversible with Stainless Steel construction
<b>Door Clearance</b>	3 – 6.5 mm
<b>Door thickness</b>	Standard applications 32 to 50mm
<b>Cylinder</b>	Standard Lockwood oval shaped cylinders
<b>Cabling</b>	1.6 metre length of cable with 12 pin socket supplied with each lock. Recommended cable: 18AWG (0.82mm <sup>2</sup> ) cable runs up to 30m.
<b>Furniture</b>	Compatible with Lockwood series door furniture
<b>Standard Finishes</b>	Satin Chrome (SC) standard. Bright Chrome (CP) and Polished Brass (PB) finishes available

**Note:** For detailed electrical specifications, turn to page 37.

## Specification Statement

The lock should be capable of operation on voltages between 12 – 24Vdc and have a current consumption not more than 80mA (holding) @12Vdc and 50mA (holding) @24Vdc. Monitored locks must be capable of monitoring the following functions: Key override, door position / reed switch, selectable hub / Request to exit, & locking bar status. All monitoring outputs must have the ability to be wired independently. All settings – including: fail safe / fail secure, handing, hub selection must be field configurable.

# 3570 Series Electric Mortice Lock

## Ordering Procedure

Sample Part Number 3572ELAM2RSC is made up of several sections. Choose your product by selecting an option from each section.

For example:

Backset	Fixing	Lock Functions	Electric Lock	Safety Function	Sub Function	Handing	Finish
3	5	72	EL	A	M2	R	SC

Backset	Lock Functions	Safety Function	Right Handing
60 mm	Primary lock	Fail Safe (Power to lock)	Right Handing
89 mm	Vestibule lock	Fail Secure (Power to unlock)	Left Handing
127 mm	Combination lock		
	Secure Area Rated Lock		

Fixing	Electric Lock	Sub Function	Finish
Standard	Electric Lock	Non-monitored lock (0 Cylinders)	Satin Chrome
Securafix®		Non-monitored lock (1 Cylinders)	Chrome Plate
		Non-monitored lock (2 Cylinders)	Polished Brass
		Fully monitored lock including KOM (0 Cylinders)	
		Fully monitored lock including KOM (1 Cylinder)	
		Fully monitored lock including KOM (2 cylinders)	

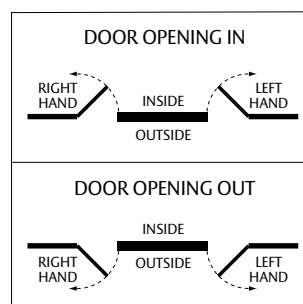
KOM- (Key override monitoring)

<b>Backset</b> Nominate backset as required, eg 60mm	3
<b>Fixing</b> Select the desired fixing method, eg Standard Fixing 35	35
<b>Lock Function</b> Select function, eg Vestibule Lock	3572
<b>Electrical Variant</b> Indicate that this is an Electric Lock	3582EL
<b>Safety Function</b> Select whether lock should be Fail Secure or Fail Safe, eg Fail Safe	3572ELA
<b>Monitoring and Key Override Options</b> Select monitoring and cylinders to be supplied, eg Monitored Lock with two cylinders	3572ELAM2
<b>Handing</b> Determine left or right handing, eg Right Handed	3572ELAM2R
<b>Finish</b> Specify appropriate finish, eg Satin Chrome	3572ELAM2RSC

## Ordering Notes

- 3570 Primary Locks can be set to achieve all lock functions post purchase, and should be the preferred option when ordering.
- Customised locks are available upon request and incur an additional surcharge and 10 day lead time.
- Securafix locks are available in 60mm backset only and are made to order. 10 day lead time.
- See over page for Primary Lock part numbers.

## Handing Chart



# 3570 Series Electric Mortice Lock

## Ordering Notes

- Primary locks can be set post purchase to achieve all desired lock settings e.g. fail safe or fail secure, left hand or right hand, combination lock (locked both sides) or vestibule lock (locked outside & free lever inside)
- All locks are Multi-voltage 12-24Vdc
- 3570 Primary locks (std 60mm backset) are stocked items. All other items are made to order, 10 day lead time.

## Primary Electric Mortice Lock Ordering Procedure

Description - Non-Monitored	Cylinders	Part No
Electric Mortice Lock 3570 Primary Lock 60 mm Backset Non Monitored	No Cylinder	3570ELN0SC
Electric Mortice Lock 3570 Primary Lock 60 mm Backset Non Monitored	1 Cylinder	3570ELN1SC
Electric Mortice Lock 3570 Primary Lock 60 mm Backset Non Monitored	2 Cylinder	3570ELN2SC

Electric Mortice Lock 4570 Primary Lock 89mm Backset Non Monitored	No Cylinder	4570ELN0SC
Electric Mortice Lock 4570 Primary Lock 89 mm Backset Non Monitored	1 Cylinder	4570ELN1SC
Electric Mortice Lock 4570 Primary Lock 89 mm Backset Non Monitored	2 Cylinder	4570ELN2SC

Electric Mortice Lock 5570 Primary Lock 127 mm Backset Non Monitored	No Cylinder	5570ELN0SC
Electric Mortice Lock 5570 Primary Lock 127 mm Backset Non Monitored	1 Cylinder	5570ELN1SC
Electric Mortice Lock 5570 Primary Lock 127 mm Backset Non Monitored	2 Cylinder	5570ELN2SC

Description - Monitored (hub, deadlatch, solenoid, door position, key override monitoring all as standard)	Cylinders	Part No
Electric Mortice Lock 3570 Primary Lock 60 mm Backset Monitored	No Cylinder	3570ELM0SC
Electric Mortice Lock 3570 Primary Lock 60 mm Backset Monitored	1 Cylinder	3570ELM1SC
Electric Mortice Lock 3570 Primary Lock 60 mm Backset Monitored	2 Cylinder	3570ELM2SC

Electric Mortice Lock 4570 Primary Lock 89 mm Backset Monitored	No Cylinder	4570ELM0SC
Electric Mortice Lock 4570 Primary Lock 89 mm Backset Monitored	1 Cylinder	4570ELM1SC
Electric Mortice Lock 4570 Primary Lock 89 mm Backset Monitored	2 Cylinder	4570ELM2SC

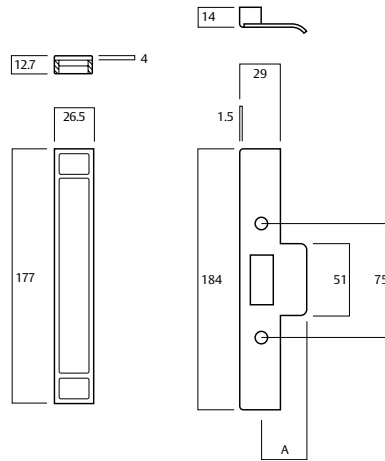
Electric Mortice Lock 5570 Primary Lock 127 mm Backset Monitored	No Cylinder	5570ELM0SC
Electric Mortice Lock 5570 Primary Lock 127 mm Backset Monitored	1 Cylinder	5570ELM1SC
Electric Mortice Lock 5570 Primary Lock 127 mm Backset Monitored	2 Cylinder	5570ELM2SC



# 3570 Series Electric Mortice Lock

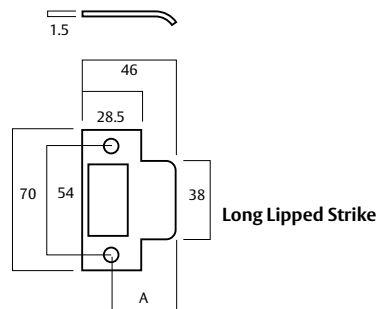
## Accessories - Rebate Kits

Finish	"A"	Part Number
Bright Chrome	32	3570-2905BC
	46	3570-3905BC
Polished Brass	32	3570-2905PB
	46	3570-3905PB
Satin Stainless Steel	32	3570-2905SC
	46	3570-3905SC



## Accessories - Long Lipped Strikes

Finish	"A"	Part Number
Bright Chrome	43.5	3570-5353CP
	47.5	3570-5653CP
Polished Brass	43.5	3570-5353PB
	47.5	3570-5653PB
Satin Stainless Steel	43.5	3570-5253SSS
	47.5	3570-5453SSS



## Accessories Ordering Information

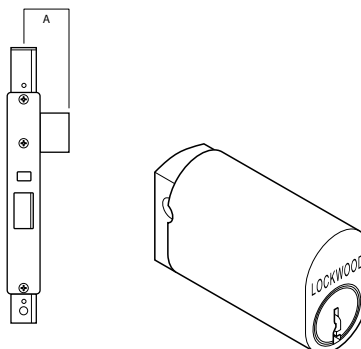
Product Description	Part Number
LED assembly to suit 3570/3580 (suits furniture for monitored locks)	SP572-3129
7.5m extended 12 wire cable	SP3570-1055
9/12 wire adaptor to suit 3570 series electric lock	SP3570-5861
323mm Power Transfer Cable	LC8810
543mm Power Transfer Cable	LC8811

## Extended Cylinders

Extended cylinders should be considered when door thickness exceeds 50 mm or when the lock is mounted off centre in the door edge. A range of cylinders is available to suit various door thicknesses. Refer to ASSA ABLOY Australia Keying and Restricted Price List for further information.

## Extended Cylinders

"A" Cylinder Projection	Cylinder Length	Recommended Door Thickness
41	37	50 to 60
52	48	60 to 84
64	60	84 to 108
80	76	108 to 132
88	84	132 to 156

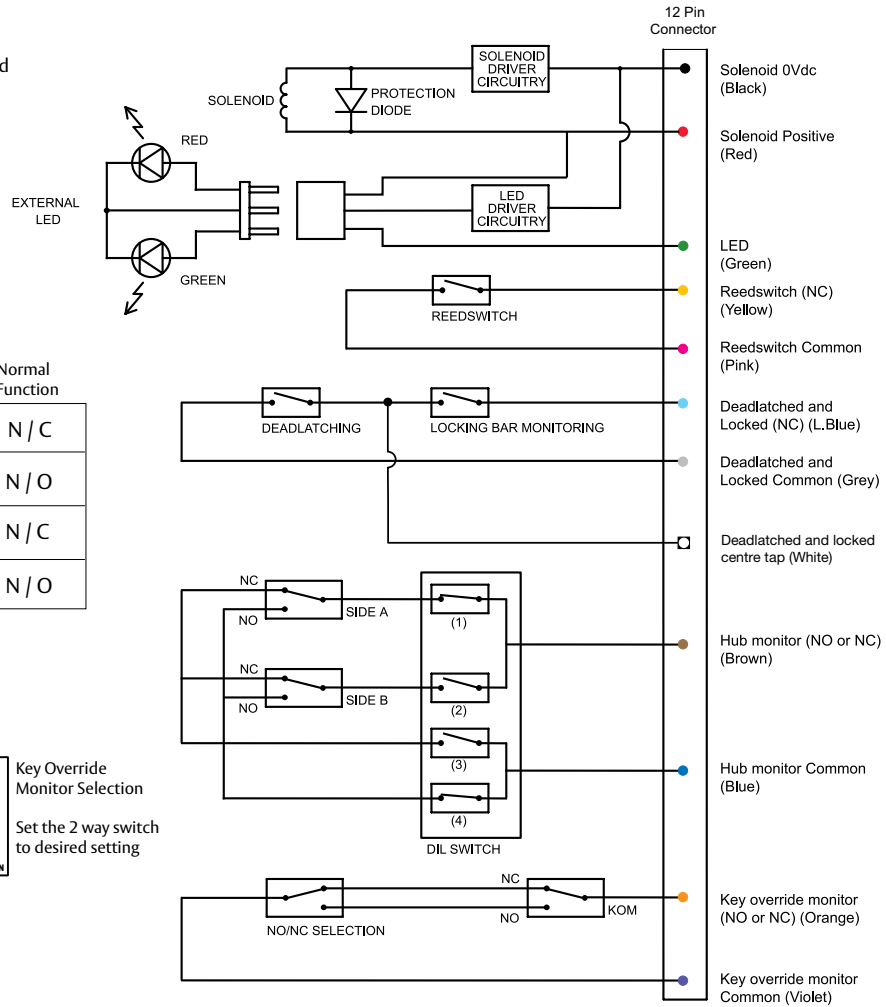


# 3570 Series Electric Mortise Lock

## Electrical Specifications

### Circuit Diagram

**Note:** Diagram depicts fail safe RH opened door, with handle and key in rest state.

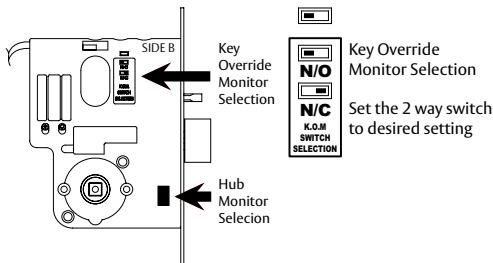


### DIL Switch Settings

#### Hub Monitor

	Switch Number	Lock Side	Normal Function			
	1	2	3	4		
ON	■	■	■	■	A	N / C
OFF	□	□	□	□	A	N / O
ON	■	■	■	□	B	N / C
OFF	□	□	□	■	B	N / O

### Key Override Monitor Selection



## Solenoid Activation

### Operating Voltage:

12 - 24Vdc

### Operating Current:

500mA (max) 80mA holding @ 12Vdc  
275mA (max) 50mA holding @ 24Vdc

For confirmation of the above mentioned operating current, please see installation manual.

### LED Current

Where LEDs are fitted, add 20mA (max) to total operating current.

### Monitoring Circuits

Microswitches: 500mA (max) @ 30Vdc each circuit

Reedswitch: 100mA (max) @ 30Vdc

#### Colour

Black

Red

Green

Yellow

Pink

Light Blue

Grey

White

Brown

Blue

Orange

Violet

#### Function

Solenoid (0Vdc)

Solenoid Positive (12Vdc - 30Vdc)

LED (12Vdc - 30Vdc)

Door closed Reedswitch (NC)

Door closed Reedswitch (common)

Deadlatched and Locked (NC)

Deadlatched and Locked (common)

Deadlatched and Locked centre tap

Hub monitor (NO or NC)

Hub monitor (common)

Key override monitor (NO or NC)

Key override monitor (common)



ASSA ABLOY

# 3579 Series Electric Mortise Lock

Designed and manufactured in Australia, the 3579 series electric mortise is a high performance lock of superior quality. It is constructed from high grade zinc alloy secured between stainless plates making suitable for high security applications.

The 3579 lock can be operated by push buttons, intercom systems and key switches; or integrated with electronic access control systems for use with higher security devices such as keypads or card readers.

## Features

Designed with flexibility in mind, the one lock can cover all functions and is easily configured on site for the required application.

- Stainless Steel Latch and Faceplate
- Stainless steel plates that encapsulate the body against attempted vandalism
- Available in Monitored versions only

## Monitoring Features

- Dead latched and Locked
- Door position/Reed switch
- Dual key override monitoring
- Request to exit/REX
- LED indication

## Field Changeable Settings


- Fail safe/fail secure configuration.
- Multi-voltage - will work on 12-24 Vdc systems.
- Handing - left hand and right hand doors
- Selection of free lever or locked lever on both sides of the door
- Key override monitoring either side of the door
- Monitoring contacts – normally closed, normally open (for key override and request to exit only)




## Standards and Compliance

**SL8** Australian Lock Standard (AS4145.2.1993)  
(when used with equivalent security level keying system)

**D8** (Durability) Australian Lock Standard (AS4145.2.1993)

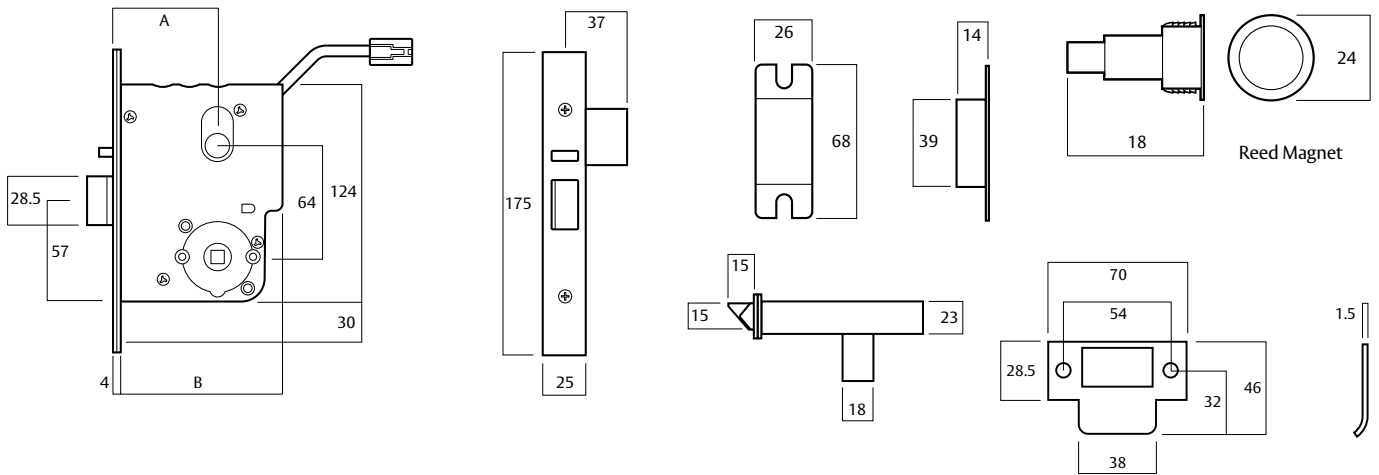
 Successfully fire rated up to 4hrs on fire door assemblies in accordance with AS1905.1.2005 (Part 1: Fire resistant door sets)

 C-Tick Certified

SCEC endorsed for secure areas



# 3579 Series Electric Mortice Lock



## 3579 Technical Information

<b>Voltage</b>	12Vdc - 24Vdc Operating Voltage
<b>Current</b>	500mA (max) 80mA holding @ 12Vdc 275mA (max) 50mA holding @ 24Vdc
<b>LED Current</b>	When LED's are fitted, add 15mA (max) to total current draw
<b>Monitoring</b>	Dual Key override Deadlatched Locked Door closed Request to exit Microswitches: 500mA (max) @ 30Vdc each circuit. Reedswitch: 100mA (max) @ 30Vdc
<b>Environment</b>	Operational temperature range -20c to +60c
<b>Case/ Cover</b>	High purity Zinc alloy construction with Stainless Steel plates
<b>Backset</b>	60mm standard, 89 & 127 mm available
<b>Latch bolts</b>	Reversible with Stainless Steel construction
<b>Door Clearance</b>	3 – 6.5 mm
<b>Door thickness</b>	Standard applications 32 to 50mm
<b>Cylinder</b>	Standard Lockwood oval shaped cylinders
<b>Cabling</b>	1.6 metre length of cable with 12 pin socket supplied with each lock. Recommended cable: 18AWG (0.82mm <sup>2</sup> ) cable runs up to 30m
<b>Furniture</b>	Compatible with Lockwood series door furniture
<b>Standard Finishes</b>	Satin Chrome(SC) standard. Bright

## Specification Statement

The lock body should be encapsulated with stainless steel. The lock should be capable of operation on voltages between 12 – 24Vdc and have a current consumption not more than 80mA (holding) @12Vdc and 50mA (holding) @24Vdc. Monitored locks must be capable of monitoring the following functions: Key override, door position / reed switch, selectable hub / Request to exit, & locking bar status. All monitoring outputs must have the ability to be wired independently. All settings – including: fail safe / fail secure, handing, hub selection must be field configurable.

## Ordering Information

Product Description	Part Number
Electric Mortice 3579 Primary Lock 60 mm Mon	3579ELM0SC
Electric Mortice 3579 Primary Lock 89 mm Mon	4579ELM0SC
Electric Mortice 3579 Primary Lock 127 mm Mon	5579ELM0SC

# 3579HS Series Electric Mortise Lock

Designed and manufactured in Australia, the 3579HS series electric mortise is designed for unique applications where fail secure functionality is required externally with fail safe functionality on the inside. To achieve this function the lock must be used in conjunction with an electric strike.

The 3579HS is constructed from the same material as the 3579 counterpart.

## Features

Designed with flexibility in mind, the one lock can cover all functions and is easily configured on site for the required application.

- Stainless Steel Latch and Faceplate
- Stainless steel plates that encapsulate the body against attempted vandalism
- Available in Monitored versions only

## Monitoring Features

- Dead latched and Locked
- Door position/Reed switch
- Dual key override monitoring
- Request to exit/REX
- LED indication

## Field Changeable Settings

- Fail safe/fail secure configuration.
- Multi-voltage - will work on 12-24 Vdc systems.
- Handing - left hand and right hand doors
- Selection of free lever or locked lever on both sides of the door
- Key override monitoring either side of the door
- Monitoring contacts – normally closed, normally closed


**Note:** this lock is designed to operate in conjunction with an electric strike. The lock will never unlock electrically from the external side.




## Standards and Compliance

**SL8** Australian Lock Standard (AS4145.2.1993)  
(when used with equivalent security level keying system)

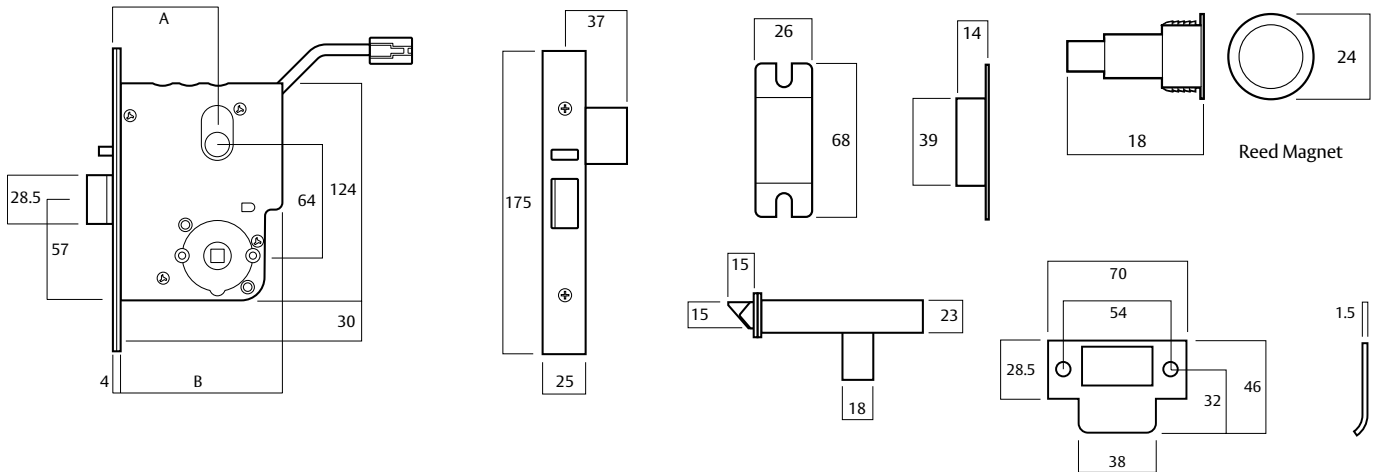
**D8** (Durability) Australian Lock Standard (AS4145.2.1993)

 Successfully fire rated up to 4hrs on fire door assemblies in accordance with AS1905.1.2005 (Part 1: Fire resistant door sets)

 C-Tick Certified

SCEC endorsed for secure areas

# 3579HS Series Electric Mortice Lock



## Lock Functions

The 3579HS series lock is designed to provide internal emergency egress on doors whereby the door remains secure on the outside in the event of a fire alarm or break glass event.

A typical door set up would include the following hardware:

- Proximity readers on both sides of the door to gain access either way
- 3579HS Electric Mortice Lock set to fail safe inside. Note the lock remains in the locked state (externally) 100% of the time if power is applied or not.
- Electric strike set to fail secure
- Break glass or Fire Panel connected to the mortice lock only

To enter or exit the door the user would swipe a proximity card to the reader. Upon authorisation from the EAC panel the electric strike would unlock, allowing the user to open the door. The electric mortice lock does not change state.

In the event of an emergency (fire alarm or break glass activation), power is cut to the electric mortice lock & places it in a fail safe mode on the internal side only. The mortice lock remains in a fail secure state on the external side.

**NOTE: The 3579HS Series lock can never be electrically unlocked from the outside. A secondary locking device (electric strike) must be used in conjunction with this lock.**

## Specification Statement

The lock body should be encapsulated with stainless steel. The lock should be capable of operation on voltages between 12 – 24Vdc and have a current consumption not more than 80mA (holding) @12Vdc and 50mA (holding) @24Vdc. Monitored locks must be capable of monitoring the following functions: Key override, door position / reed switch, selectable hub / Request to exit, & locking bar status. All monitoring outputs must have the ability to be wired independently. All settings – including: fail safe / fail secure, handing, hub selection must be field configurable. The lock must be capable of operating in fail safe mode internally and fail secure mode externally when used in conjunction with an electric strike.

## Ordering Information

Product Description	Part Number
High Security Elec Mortice 3579HS Primary Lock 60 mm	3579HSELM0SC
High Security Elec Mortice 3579HS Primary Lock 89 mm	4579HSELM0SC
High Security Elec Mortice 3579HS Primary Lock 127 mm	5579HSELM0SC



# Hi-O Room Guard Locking System



The Room Guard Locking System is based on state of the art Hi-O technology platform developed by ASSA ABLOY.

Bringing a new dimension to electronic locking systems as we know them today, the Hi-O platform has enabled this unique product offering that is designed for ease of use and simplified installation.

The system provides electronic lock control of multiple doors for any room requiring privacy by the occupants. The most common applications are shared bathrooms in hospitals and conference rooms with dual entries.

The intelligence is embedded in the locking devices themselves, resulting in a plug and play system without the need for a door controller to lock and unlock the door; therefore extremely easy to install and cost effective.

## Features

- One touch privacy
- All components supplied in one neat kit
- Plug and Play connectivity
- No requirement for external door controller or EAC system
- Fast, accurate and cost effective installation

## Applications

- Shared bathrooms
- Conference rooms
- Laboratories

## Function

### Locking the door

- Enter either door and close door
- Activate internal turn knob
- Both doors automatically lock – outside
- External handles indicate red (locked)

### To unlock/exit

- Activate internal lever on either door
- Both doors automatically unlock
- External handles indicate green (unlocked)

Note: In the event of an emergency, the doors may be unlocked externally via emergency override switches if fitted.

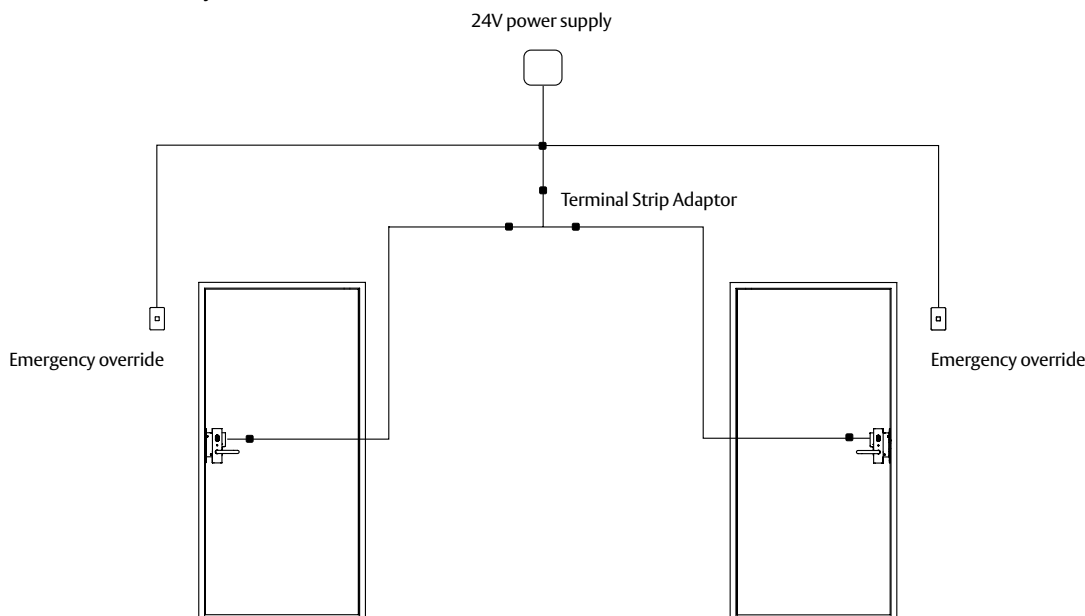
## Standards and Compliance



Successfully fire rated up to 4hrs on fire door assemblies in accordance with AS1905.1.2007

# Hi-O Room Guard Locking System

## Two Door Installation Layout



## Installation Overview

The Room Guard Locking System does not require an external door controller to lock or unlock the door. The electric mortice locks are simply plugged together, connected to the emergency override switches and then plugged into the power supply.

Note: The use of emergency override switches may not be required. In that case, the power supply is connected directly to mortice locks.

## Ordering Information

The Room Guard Kit contains all necessary components and power supply to install a two door system. The door furniture must be ordered separately.

1. Order Room Guard two door kit
2. Order door furniture for two doors

Part Number	Description
3570HRGKIT	Room Guard Kit – 2 doors
1822/70SC	Exterior door furniture with LED
1920/70SC	Interior door furniture

## Additional Information

- For alternative door furniture options and finishes, refer to Lockwood Product Catalogue Section 3.70 – Plate Door Furniture
- Locks are designed to work in fail safe mode
- Locks are non handed and can be configured on site

Room Guard Kit - Contents	Qty
Hi-O Room Guard Mortice Lock	2
Power Transfer	2
Room Guard Turn Knob Assembly	2
24Vdc Power supply unit	1
4 Way Adaptor	1
Override Switch Wire – 15M	2
8M Extension Cable	2
Terminal Strip Adaptor (PAIR)	1
Hi-O Termination Socket	1
Emergency Switch	2
Faceplate for Emergency Switch	2

Spare Part no	Description
3570ELHRG0SC	Hi-O Room Guard Mortice Lock
EA280	Power Transfer
RG3SC	Room Guard Turn Knob Assembly
HPS-24VDC	24Vdc Power supply unit
HLM-004	4 Way Adaptor
HLM-018	Override Switch Wire – 15M
HLM-008	8M Extension Cable
HLM-011	Terminal Strip Adaptor (PAIR)
HLM-012	Hi-O Termination Socket
HPM-SW1	Emergency Switch
HPM-FP1	Faceplate for Emergency Switch

# 3580 Series Electric Mortice Lock

Designed and manufactured in Australia, the 3580 series electric mortice is a high performance lock of superior quality. It is constructed from high grade zinc alloy, with a stainless steel latch bolt and face plate and is suited for all commercial applications.

The lock can be operated by push buttons, intercom systems and key switches; or integrated with electronic access control systems for use with higher security devices such as keypads or card readers.

The 3580 series is available in a wide variety of configurations to suit varying requirements and is especially suited to narrow style or short backset applications.

## Key Features

Available in non monitored and monitored versions.

### Monitoring features:


- Dead latched
- Door position/reed switch
- Key override
- Request to exit/REX

### Available configurations:

- Fail safe or fail secure
- 12Vdc or 24Vdc
- Field changeable monitoring contacts – normally closed, normally open
- Field changeable handing - Left hand and right hand doors
- Selection of free lever or locked lever on both sides of the door
- Key override monitoring
- LED indication



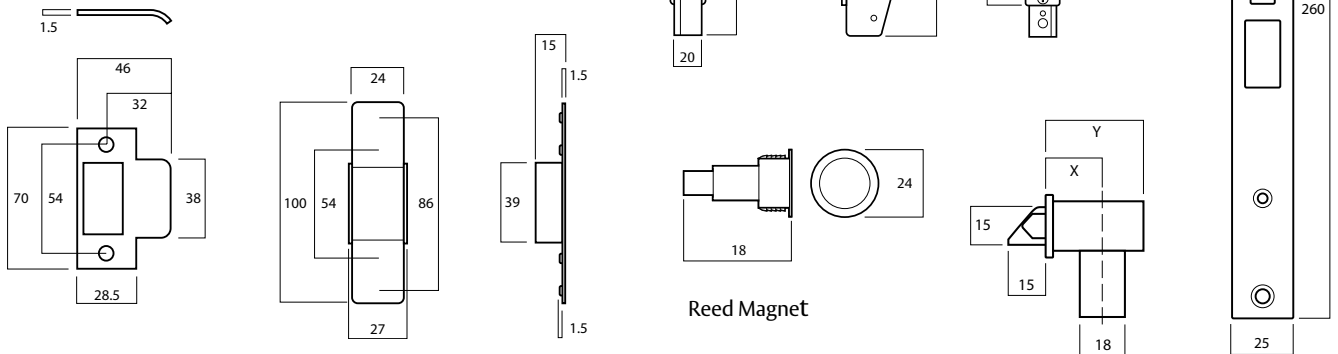
## Standards and Compliance

- S2** (Security) Australian Lock Standard (AS4145.2.1993)
- D3** (Durability) Australian Lock Standard (AS4145.2.1993)
-  C-Tick Certified

# 3580 Series Electric Mortise Lock

## Limiting Dimensions

Dimension	Backset			
X	23	25.4	30	38
Y	36.4	39	43.6	51.7



## 3580 Series Technical Information

<b>Voltage</b>	Available in 12Vdc or 24Vdc
<b>Current</b>	12Vdc $\pm$ 5% 250mA (max) 24Vdc $\pm$ 5% 125mA (max)
<b>LED Current</b>	When LED's are fitted, add 15mA (max) to total current draw
<b>Monitoring</b>	Key override Deadlatched and door closed Request to exit Hub/Deadlatch/Key override monitor: max ratings 500mA@30Vdc Door Status Monitor: max ratings 3W, 250mA (max) @ 12Vdc, 125mA (max) @24Vdc
<b>Environment</b>	Operational temperature range -20°C to +60°C
<b>Case/ Cover</b>	High purity zinc alloy construction
<b>Backset</b>	23mm standard. 25.4, 30 & 38 mm extended available
<b>Latch bolts</b>	15mm Stainless Steel construction
<b>Door Clearance</b>	3 – 6.5 mm
<b>Door thickness</b>	Standard applications 32 to 50mm Extension kits available
<b>Cylinder</b>	Standard Lockwood oval shaped cylinders
<b>Cabling</b>	3.6 metre length of cable with 9 pin socket supplied with each lock. Recommended cabling: 18AWG (0.82mm <sup>2</sup> ) cable runs up to 30m
<b>Furniture</b>	Compatible with Lockwood series door furniture
<b>Standard Finishes</b>	Satin Chrome(SC) standard. Bright Chrome (CP) and Polished Brass(PB) finishes available

**Note:** For detailed electrical specifications, turn to page 50.

## Accessories Ordering Information

Product Description	Part Number
Anti-Clockwise Rebate Kit Replace ## with finish code (SC, CP, PB)	3580-2902AC##
Clockwise Rebate Kit Replace ## with finish code (SC, CP, PB)	35802902CW##
LED Assembly to suit 3570/3580	SP572-3129
7.5m extended 9 wire cable	SP3580-1052

## Specification Statement

The lock should be capable of operation on voltages of 12 or 24Vdc and have a current consumption not more than 250mA (max) @12Vdc and 125mA (max) @24Vdc. Monitored locks must be capable of monitoring the following functions: Key override, door position/reed switch & independent hub/ Request to exit. All monitoring outputs must have the ability to be wired independently. The lock must be capable of operating fail safe or fail secure, left or right hand, and have field configurable hub selection.

# 3580 Series Electric Mortice Lock

## Ordering Procedure

Sample Part Number 3582ELAM2RSC62 is made up of several sections. Choose your product by selecting an option from each section.

For example:

Backset	Door Material	Lock Function	New Product	Safety Function	Sub Function	Handing	Finish	Options
3	58	2	EL	A	M2	R	SC	62

Backset	
23 mm	3
25.4 mm	4
30 mm	5
38 mm	6

Door Material	
Metal	58
Timber	59

Lock Function	
Vestibule lock	2
Combination Lock	4

New Product	
EL	

Safety Function	
Fail Safe (Power to lock)	A
Fail Secure (Power to unlock)	E

Sub Function	
Non-monitored lock (0 Cylinders)	N0
Non-monitored lock (1 Cylinder)	N1
Non-monitored lock (2 Cylinders)	N2
Monitored Lock (0 Cylinders)	M0
Monitored Lock (1 Cylinder)	M1
Monitored Lock (2 Cylinders)	M2
Monitored Lock including KOM (0 Cylinder)	M4
Monitored Lock including KOM (1 Cylinder)	M5

KOM-  
(Key override monitoring)

Handing	
Right Handing	R
Left Handing	L

Finish	
Bright Chrome	CP
Polished Brass	PB
Satin Chrome	SC

Options	
24 volt model	62

<b>Backset</b> Nominate backset as required, eg 23mm	3
<b>Door Material</b> Nominate door material, eg Metal	358
<b>Lock Function</b> Select function, eg Vestibule Lock	3582
<b>Electrical Variant</b> Indicate that this is an Electric Lock	3582EL
<b>Safety Function</b> Select whether lock should be Fail Secure or Fail Safe, eg Fail Safe	3582ELA
<b>Monitoring and Key Override Options</b> Select monitoring and cylinders to be supplied, eg Monitored Lock with 2 cylinders	3582ELAM2
<b>Handing</b> Determine left or right handing, eg Right Handed	3582ELAM2R
<b>Finish</b> Specify appropriate finish, eg Satin Chrome	3582ELAM2RSC
<b>Options</b> Specify 24Vdc option when required	3582ELAM2RSC62

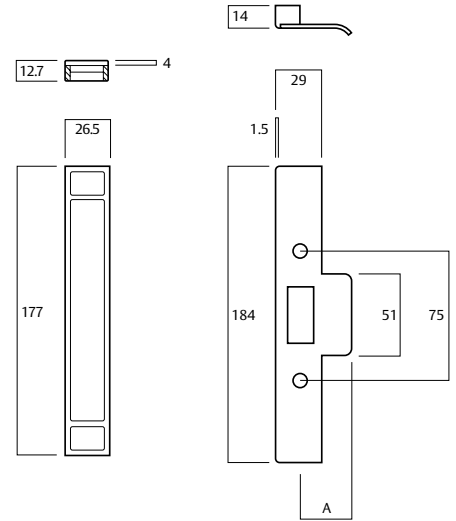


# 3580 Series Electric Mortice Lock

## Accessories

Rebate kits to suit 13 mm rebated timber doors with a minimum backset of 30 mm includes an adaptor to mount the lock and a special strike plate. Handing of the rebate kits is determined by the opening movement of the door on which the lock is fitted.

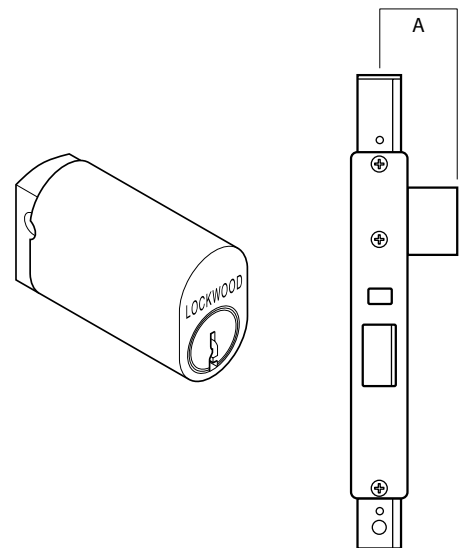
Finish	Anti-clockwise	Clockwise
Satin Chrome	3580-2902ACWSC	3580-2902CWSC
Bright Chrome	3580-2902ACWCP	3580-2902CWCP
Polished Brass	3580-2902ACWPB	3580-2902CWPB



## Extended Cylinders

Extended cylinders should be considered when door thickness exceeds 50 mm or when the lock is mounted off centre in the door edge. A range of cylinders is available to suit various door thicknesses. Refer to ASSA ABLOY Australia Keying and Restricted Price List for further information.

"A" Cylinder Projection	Cylinder Length	Recommended Door Thickness
41	37	50 to 60
52	48	60 to 84
64	60	84 to 108
80	76	108 to 132
88	84	132 to 156

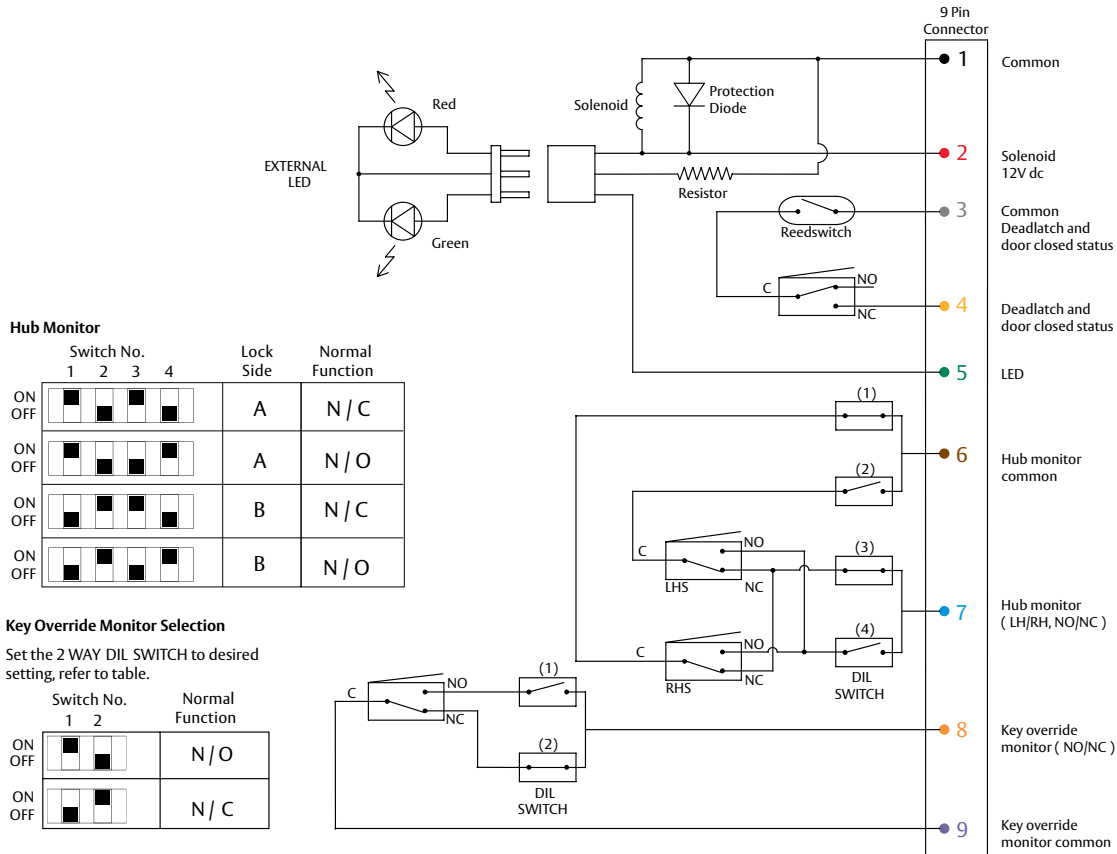


# 3580 Series Electric Mortice Lock

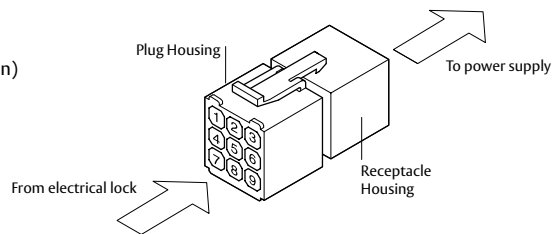
## Electrical Specifications

### Circuit Diagram

Note: Diagram depicts fail safe 12V RH opened door, with handle and key in rest state.



Pin	Colour	Function
1	Black	Common (0Vdc)
2	Red	Solenoid (12Vdc or 24Vdc)
3	Grey	Deadlatch and door closed status (common)
4	Yellow	Deadlatch and door closed status
5	Green	LED
6	Brown	Hub monitor (common)
7	Blue	Hub monitor (RH/LH, NO/NC)
8	Orange	Key override monitor (NO/NC)
9	Violet	Key override monitor (common)





# Power Transfer Lead

## Lockwood Power Transfer Cover

### LC8810

The LC8810 and LC8811 Power Transfer Lead Covers are designed to ensure unbroken transfer of wires between door and frame in electric locking situations.

#### Features:

- Provides unbroken connection from controller to lock, for cable up to 8 mm diameter
- Vandal-resistant chrome plated steel flexible
- Completely concealed when the door is closed

#### Applications

##### LC8810

The LC8810 is a shorter unit suitable for hinged doors which open to 90° (maximum of 120°).

##### LC8811

The LC8811 is designed for use on doors which open more than 120°, or have a gap from pin hinge to door frame of more than 20 mm.

**Note:** Not suitable for centrally pivoted doors.



## Standards and Compliance

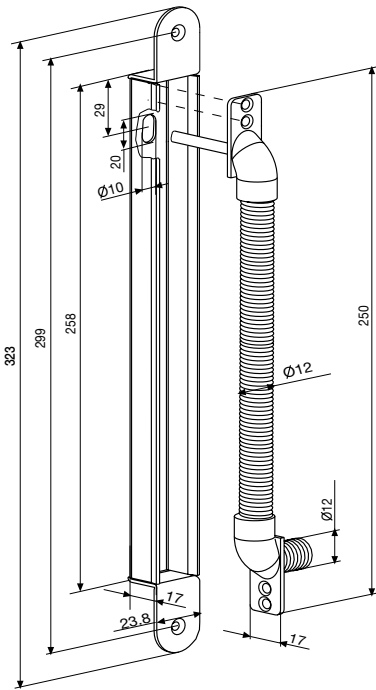
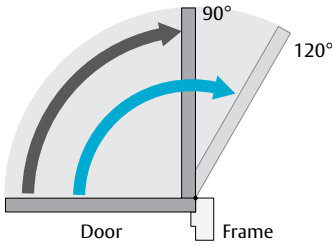


Successfully fire rated up to 4hrs on fire door assemblies in accordance with AS1905.1. 2005 (Part 1: Fire resistant door sets)

# Power Transfer Lead

## LC8810

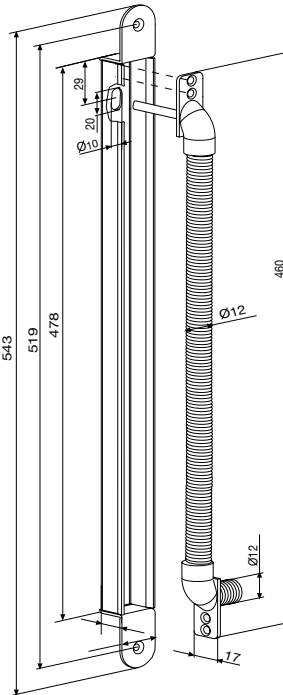
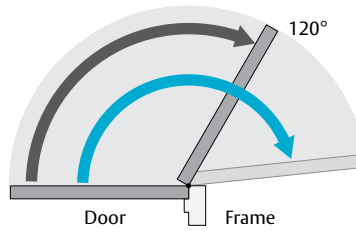
The LC8810 is a shorter unit suitable for hinged doors which open to 90° (maximum of 120°).



## LC8811

The LC8811 is designed for use on doors which open more than 120°, or have a gap from pin hinge to door frame of more than 20 mm.

**Note:** Not suitable for centrally pivoted doors.



## Ordering Information

Product Description	Part Number
323mm Power Transfer Cable	LC8810
543mm Power Transfer Cable	LC8811



# Electromagnetic Locking Solutions



Z Series Single Non Monitored EML	56
Z Series Single Monitored EML	58
Z Series Double Non Monitored EML	60
Z Series Double Monitored EML	62
Z Series Recessed EML	64
Accessories	66

# Z4 and Z8 Single Series Non Monitored Electromagnetic Lock

## General Description

The Single Series Electromagnetic Locks operate with holding forces from 250kg up to 580kg. Covering a range of applications the Z4 and Z8 Electromagnets are ideal for applications from Standard doors through to high use commercial swing doors.

With fixing options including wood, aluminium and steel constructions, as well as glass door applications, the range caters to most electromagnetic needs.

## Key Features

- Fail-safe: unlocks when power is removed
- Easy installation: suitable for both new and retrofit usage
- High holding force: refer to the technical data overleaf
- Self-alignment: armature plate pivots to accommodate door drop
- Silent operation: no humming or buzzing
- Dual voltage: site selectable 12 or 24 Vdc
- Instantaneous Release: smart electronics on the Z Series Electromagnets eliminate residual magnetism

## Applications

- Aluminium doors
- Glass doors
- IT Storage rooms
- Access control
- Surface mount for inswing and outswing doors



Z4 Electromagnetic Lock - Non Monitored



Z8 Electromagnetic Lock - Non Monitored

## Standards and Compliance



Successfully fire rated up to 4hrs on fire door assemblies in accordance with AS1905.1. 2005 (Part 1: Fire resistant door sets)



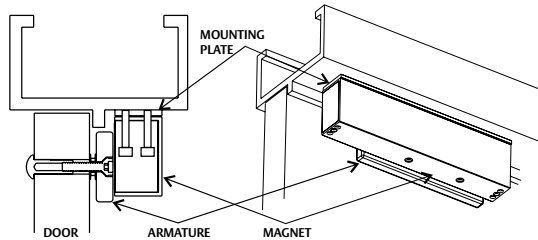
CE Approved



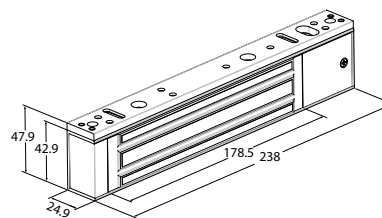
C-Tick Certified



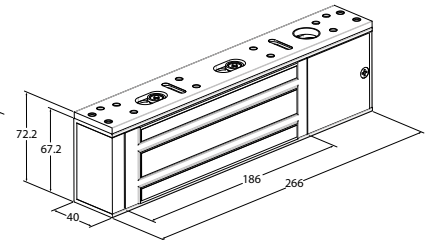
# Z4 and Z8 Single Series Non Monitored Electromagnetic Lock



Typical Install for Z4 & Z8 out swinging doors.



Z4 Electromagnetic Lock



Z8 Electromagnetic Lock

## Single Series Technical Information

	Z4 Magnet	Z8 Magnet
<b>Holding Force</b>	250kg – 280kg	550kg – 580kg
<b>Dimensions*</b>	(L)238 x (H)48 x (D)27 mm	(L)266 x (H)72 x (D)40 mm
<b>Voltage</b>	12Vdc/ 24Vdc ±10%	12Vdc/ 24Vdc ±10%
<b>Current</b>	450mA @ (12Vdc) 225mA @ (24Vdc)	512mA @ (12Vdc) 256mA @ (24Vdc)
<b>Monitoring</b>	None	None
<b>Operating Temperature</b>	-10 to 55 Degrees	-10 to 55 Degrees
<b>Operating Humidity</b>	0 - 95%	0 - 95%

## Specification Statement

Holding force is measured directly between armature and magnet, holding force on the door may vary depending on the leverage created. The Single Series Electromagnetic Lock should be constructed in an aluminium case with heavy duty electromagnet. The range only operates in fail safe mode and relies on a secondary lock or battery backup system. In some cases the magnet armature plate pivots to accommodate door drop. The lock needs to be equipped with “smart electronics” that have zero residual magnetism, (instantaneous release). This is crucial for correct operation.

## Ordering Information

Product Description	Part Number
Z4 Electromagnet - Non Monitored	770300-000T
Z8 Electromagnet - Non Monitored	770600-000T
<b>Accessories</b>	
EMZ4 BRACKET SINGLE L & Z	EMZ4B-SLZ
EMZ4 BRACKET GLASS U 12MM GLASS	EMZ4B-GU
EMZ4 BRACKET GLASS ARMATURE	EMZ4B-GA
EMZ4 BRACKET ARMATURE NON MONITORED	EMZ4B-AN
EMZ4 BRACKET SINGLE MOUNTING PLATE	EMZ4B-SMP
EMZ4 SPARE PART SCREW KIT	EMZ4SP-SC
EMZ8 BRACKET SINGLE L & Z	EMZ8B-SLZ
EMZ8 BRACKET GLASS U 12MM GLASS	EMZ8B-GU
EMZ8 BRACKET GLASS ARMATURE	EMZ8B-GA
EMZ8 BRACKET ARMATURE NON MONITORED	EMZ8B-AN
EMZ8 BRACKET SINGLE MOUNTING PLATE	EMZ8B-SMP
EMZ8 SPARE PART SCREW KIT	EMZ8SP-SC

# Z4 and Z8 Single Series Monitored Electromagnetic Lock

## General Description

The Single Series Electromagnetic Locks operate with holding forces from 250kg up to 580kg. Covering a range of applications the Z4 and Z8 Electromagnets are ideal for applications from Standard doors through to high use commercial swing doors.

With fixing options including wood, aluminium and steel constructions, as well as glass door applications, the range caters to most electromagnetic needs.

## Key Features

- Fail-safe: unlocks when power is removed
- Easy installation: suitable for both new and retrofit usage
- High holding force: refer to the technical data overleaf
- Self-alignment: armature plate pivots to accommodate door drop
- Silent operation: no humming or buzzing
- Dual voltage: site selectable 12 or 24 Vdc
- Monitoring: Reed Switch monitoring on all models. Hall-Effect monitoring on Z4 and Z8 models.
- Instantaneous release: smart electronics on the Z Series Electromagnets eliminate residual magnetism

## Monitoring

### Hall / Bond Monitoring

This indicates that the lock is powered and that the armature plate is in position and magnetically bonded (it monitors if the magnet is locked)

### Reed switch monitoring

An integrated reed switch monitors the door position separately (it monitors the position of the door)

## Applications

- Aluminium doors
- Glass doors
- IT Storage rooms
- Access control
- Surface mount for inswing and outswing doors



Z4 Electromagnetic Lock - Monitored

Z8 Electromagnetic Lock - Monitored

## Standards and Compliance



Successfully fire rated up to 4hrs on fire door assemblies in accordance with AS1905.1. 2005 (Part 1: Fire resistant door sets)

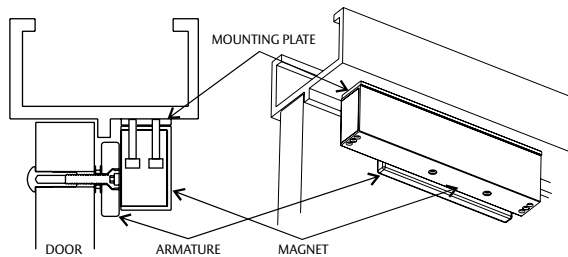


CE Approved

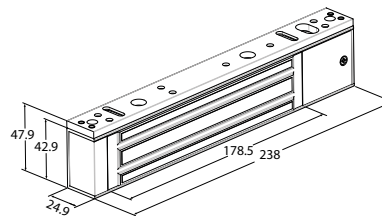


C-Tick Certified

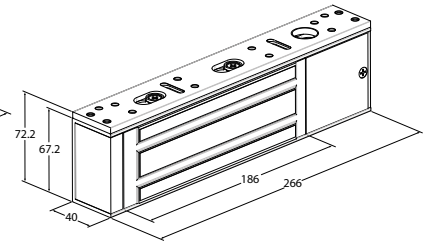
# Z4 and Z8 Single Series Monitored Electromagnetic Lock



Typical Install for Z4 & Z8 out swinging doors.



Z4 Electromagnetic Lock



Z8 Electromagnetic Lock

## Single Series Technical Information

	Z4 Magnet	Z8 Magnet
<b>Holding Force</b>	250kg – 280kg	550kg – 580kg
<b>Dimensions*</b>	(L)238 x (H)48 x (D)27 mm	(L)266 x (H)72 x (D)40 mm
<b>Voltage</b>	12Vdc/ 24Vdc ±10%	12Vdc/ 24Vdc ±10%
<b>Current</b>	450mA @ (12Vdc) 225mA @ (24Vdc)	512mA @ (12Vdc) 256mA @ (24Vdc)
<b>Monitoring</b>	Hall-Effect/Bond sensing & Reed Switch	Hall-Effect/Bond sensing & Reed Switch
<b>Operating Temperature</b>	-10 to 55 Degrees	-10 to 55 Degrees
<b>Operating Humidity</b>	0 - 95%	0 - 95%

## Specification Statement

Holding force is measured directly between armature and magnet, holding force on the door may vary depending on the leverage created. The Single Series Electromagnetic Lock should be constructed in an aluminium case with heavy duty electromagnet. The range only operates in fail safe mode and relies on a secondary lock or battery backup system. In some cases the magnet armature plate pivots to accommodate door drop. The lock needs to be equipped with “smart electronics” that have zero residual magnetism, (instantaneous release). This is crucial for correct operation.

## Ordering Information

Product Description	Part Number
Z4 Electromagnet - Monitored	770300-012T
Z8 Electromagnet - Monitored	770600-012T
<b>Accessories</b>	
EMZ4 Bracket Single L & Z	EMZ4B-SLZ
EMZ4 Bracket Glass U 12Mm Glass	EMZ4B-GU
EMZ4 Bracket Glass Armature	EMZ4B-GA
EMZ4 Bracket Armature Monitored W/Magnet	EMZ4B-AM
EMZ4 Bracket Single Mounting Plate	EMZ4B-SMP
EMZ4 Spare Part Screw Kit	EMZ4SP-SC
EMZ4 Spare Part Pcb Monitored	EMZ4SP-PCBM
EMZ8 Bracket Single L & Z	EMZ4B-SLZ
EMZ8 Bracket Glass U 12Mm Glass	EMZ8B-GU
EMZ8 Bracket Glass Armature	EMZ8B-GA
EMZ8 Bracket Armature Monitored W/Magnet	EMZ8B-AM
EMZ8 Bracket Single Mounting Plate	EMZ8B-SMP
EMZ8 Spare Part Screw Kit	EMZ8SP-SC
EMZ8 Spare Pcb Monitored	EMZ8SP-PCBM

# Z4 and Z8 Double Series Non Monitored Electromagnetic Lock



Z4 Double Electromagnetic Lock - Non Monitored



Z8 Double Electromagnetic Lock - Non Monitored

## General Description

The Double Series Electromagnetic Locks operate with holding forces from 500kg up to 1160kg. Covering a range of applications these magnets are ideal for applications from access ways through to high use commercial swing doors. With fixing options including wood, aluminium and steel constructions, as well as glass door applications, the range caters to most electromagnetic needs.

## Key Features

- Fail-safe: unlocks when power is removed
- Easy installation: suitable for both new and retrofit usage
- High holding force: refer to the technical data overleaf
- Self-alignment: armature plate pivots to accommodate door drop
- Silent operation: no humming or buzzing
- Dual voltage: site selectable 12 or 24 Vdc
- Instantaneous release: smart electronics on the electromagnets eliminate residual magnetism.

## Applications

- Aluminium doors
- Double swing doors
- Access control
- Surface mount for inswing and outswing doors

## Standards and Compliance



Successfully fire rated up to 4hrs on fire door assemblies in accordance with AS1905.1. 2005 (Part 1: Fire resistant door sets)

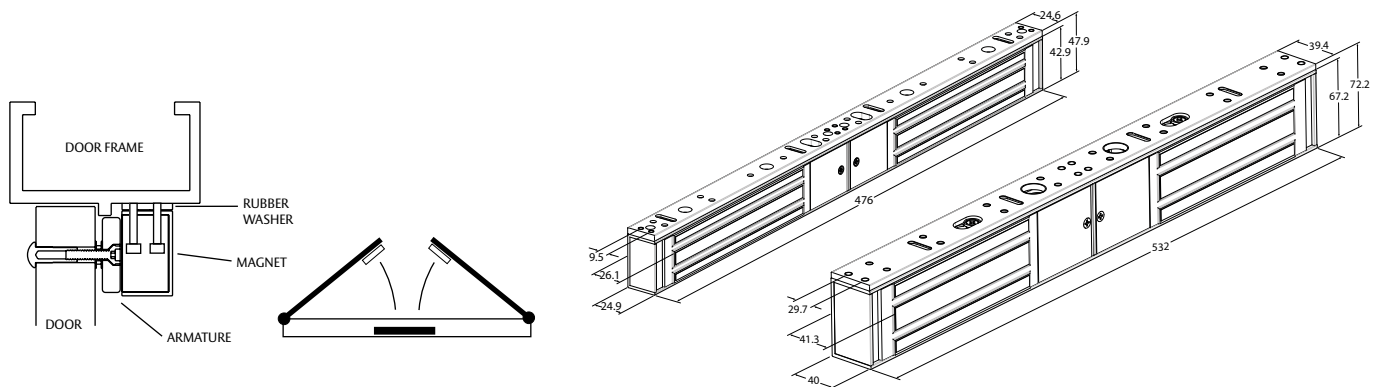


CE Approved



C-Tick Certified

# Z4 and Z8 Double Series Non Monitored Electromagnetic Lock



Typical Install for Z4 & Z8 out swinging doors.

Z4 Electromagnetic Lock

Z8 Electromagnetic Lock

Double Series Non Monitored		
	Z4 Magnet	Z8 Magnet
Holding Force	500kg – 560kg	1100kg – 1160kg
Dimensions*	(L)476 x (H)48 x (D)27 mm	(L)532 x (H)72 x (D)40 mm
Voltage	12Vdc/ 24Vdc ±10%	12Vdc/ 24Vdc ±10%
Current	900mA @ 12Vdc 450mA @ 24Vdc	1024mA @ 12Vdc 512mA @ (12Vdc)
Monitoring	None	None
Operating Temperature	-10 to 55 Degrees	-10 to 55 Degrees
Operating Humidity	0 - 95%	0 - 95%

## Specification Statement

Holding force is measured directly between armature and magnet, holding force on the door may vary depending on the leverage created. The Double Series Electromagnetic Lock should be constructed in an aluminium case with heavy duty electromagnet. The range only operates in fail safe mode and relies on a secondary lock or battery backup system. The lock needs to be equipped with “smart electronics” that have zero residual magnetism, (instantaneous release). This is crucial for correct operation.

## Ordering Information

Product Description	Part Number
Z4 Double Electromagnet – Non Monitored	770300-100T
Z8 Double Electromagnet – Non Monitored	770600-100T
<b>Accessories</b>	
EMZ4 Bracket Double L & Z	EMZ4B-DLZ
EMZ4 Bracket Armature Non Monitored	EMZ4B-AN
EMZ4 Bracket Double Mounting Plate	EMZ4B-DMP
EMZ4 Spare Part Screw Kit	EMZ4SP-SC
EMZ8 Bracket Double L & Z	EMZ8B-DLZ
EMZ8 Bracket Armature Non Monitored	EMZ8B-AN
EMZ8 Bracket Double Mounting Plate	EMZ8B-DMP
EMZ8 Spare Part Screw Kit	EMZ8SP-SC

# Z4 and Z8 Double Series Monitored Electromagnetic Lock



Z4 Double Electromagnetic Lock - Monitored



Z8 Double Electromagnetic Lock - Monitored

## General Description

The Double Series Electromagnetic Locks operate with holding forces from 500kg up to 1160kg. Covering a range of applications these magnets are ideal for applications from access ways through to high use commercial swing doors. With fixing options including wood, aluminium and steel constructions, as well as glass door applications, the range caters to most electromagnetic needs.

## Key Features

- Fail-safe: unlocks when power is removed
- Easy installation: suitable for both new and retrofit usage
- High holding force: refer to the technical data overleaf
- Self-alignment: armature plate pivots to accommodate door drop
- Silent operation: no humming or buzzing
- Dual voltage: site selectable 12 or 24 Vdc
- Monitoring: Hall-Effect and Reed Switch monitoring on all models
- Instantaneous release: Smart electronics on the Z Series electromagnets eliminate residual magnetism.

## Applications

- Aluminium doors
- Double swing doors
- Access control
- Surface mount for inswing and outswing doors

## Monitoring

### Hall / Bond Monitoring

This indicates that the lock is powered and that the armature plate is in position and magnetically bonded (it monitors if the magnet is locked)

### Reed Switch Monitoring

An integrated reed switch monitors the door position separately (it monitors the position of the door)

## Standards and Compliance



Successfully fire rated up to 4hrs on fire door assemblies in accordance with AS1905.1. 2005 (Part 1: Fire resistant door sets)

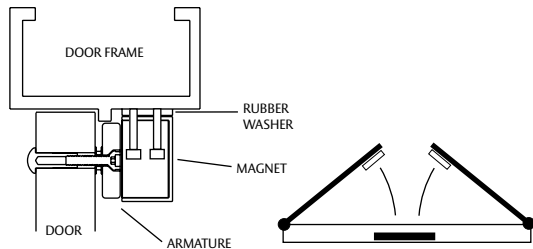


CE Approved

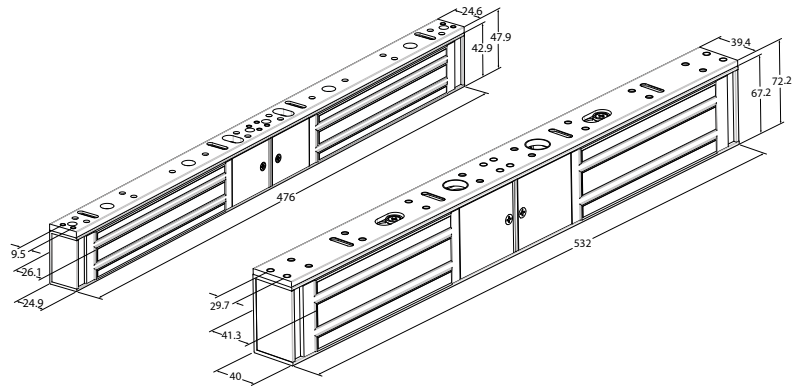


C-Tick Certified

# Z4 and Z8 Double Series Monitored Electromagnetic Lock



Typical Install for Z4 & Z8 out swinging doors.



Z4 Electromagnetic Lock

Z8 Electromagnetic Lock

## Double Series Monitored Technical Information

	Z4 Magnet	Z8 Magnet
Holding Force	500kg – 560kg	1100kg – 1160kg
Dimensions	(L)476 x (H)48 x (D)27 mm	(L)532 x (H)72 x (D)40 mm
Voltage	12Vdc/ 24Vdc ±10%	12Vdc/ 24Vdc ±10%
Current	900mA @ 12Vdc 450mA @ 24Vdc	1024mA @ 12Vdc 512mA @ (12Vdc)
Monitoring	Hall Effect / Bond sensing and Reed Switch	Hall Effect / Bond sensing and Reed Switch
Operating Temperature	-10 to 55 Degrees	-10 to 55 Degrees
Operating Humidity	0 - 95%	0 - 95%

## Specification Statement

The Double Series Electromagnetic Lock should be constructed in an aluminium base with heavy duty electromagnet. The range only operates in fail safe mode and relies on a secondary lock or battery backup system. The lock needs to be equipped with “smart electronics” that have zero residual magnetism, (instantaneous release). This is crucial for correct operation.

## Ordering Information

Product Description	Part Number
Z4 Double Electromagnet – Monitored	770300-112T
Z8 Double Electromagnet – Monitored	770600-112T
<b>Accessories</b>	
EMZ4 Bracket Double L & Z	EMZ4B-DLZ
EMZ4 Bracket Armature Monitored W/Magnet	EMZ4B-AM
EMZ4 Bracket Double Mounting Plate	EMZ4B-DMP
EMZ4 Spare Part Screw Kit	EMZ4SP-SC
EMZ4 Spare Part Pcb Monitored	EMZ4SP-PCBM
EMZ8 Bracket Double L & Z	EMZ8B-DLZ
EMZ8 Bracket Armature Monitored W/Magnet	EMZ8B-AM
EMZ8 Bracket Double Mounting Plate	EMZ8B-DMP
EMZ8 Spare Part Screw Kit	EMZ8SP-SC
EMZ8 Spare Pcb Monitored	EMZ8SP-PCBM

# Z4 Recessed Electromagnetic Locks

## General Description

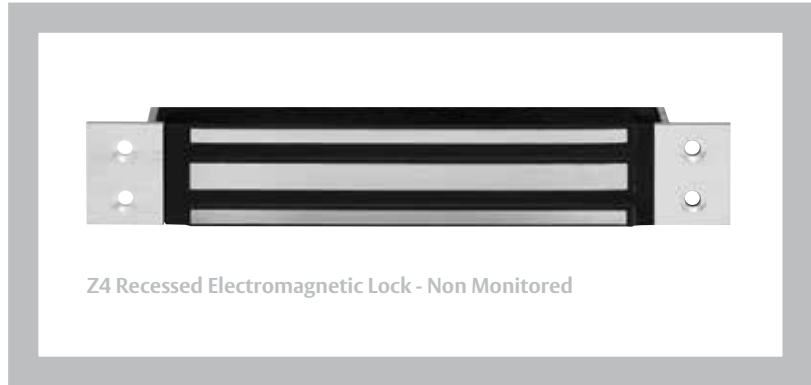
The Z4 Recessed Electromagnetic Locks operate with holding forces up to 280kg. Covering a range of applications these magnets are ideal for situations where the magnet needs to be recessed such as swing and sliding doors. With fixing options including wood, aluminium and steel constructions, the range caters to most needs. The Electromagnets are available in both Monitored and Non Monitored models, using Hall-Effect monitoring on some models. These electromagnetic locks are CSIRO approved for use on fire doors and are characterised by their high quality, and proven reliability in both fire and security applications.

## Key Features

- Fail-safe: unlocks when power is removed
- Easy installation: suitable for both new and retrofit usage
- High holding force: refer to the technical data overleaf
- Self-alignment: armature plate pivots to accommodate door drop
- Silent operation: no humming or buzzing
- Dual voltage: site selectable 12 or 24 Vdc
- Monitored versions: Hall-Effect status monitoring available on some models

## Applications

- Various sliding door applications



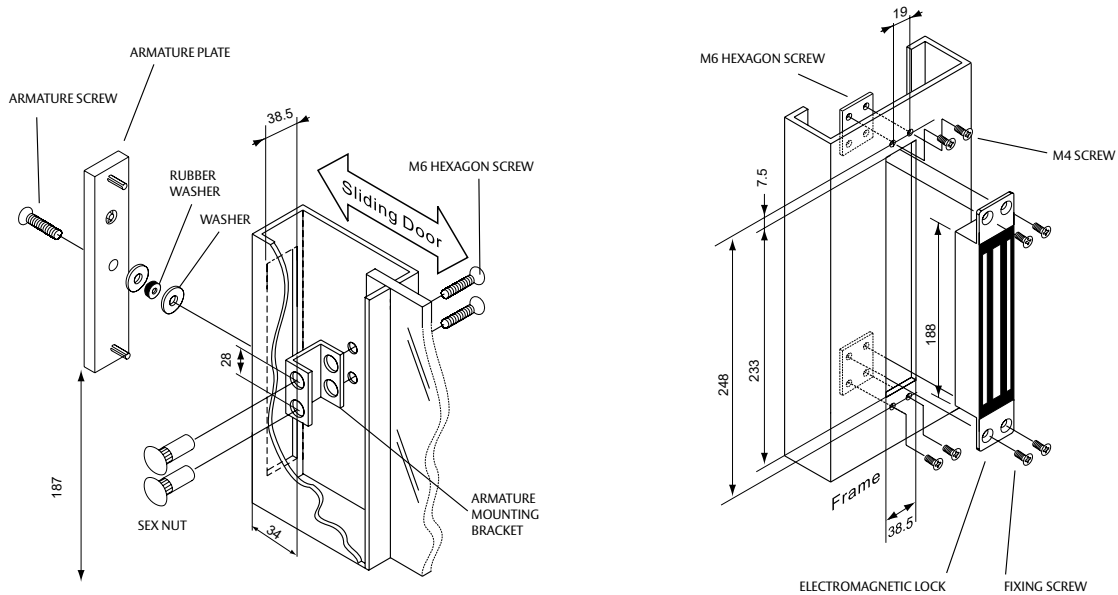
## Standards and Compliance

 CE Approved

 C-Tick Certified



# Z4 Recessed Electromagnetic Locks



## Z4 Recessed Series Technical Information

	Z4 Magnet Non Monitored	Z4 Magnet Monitored
<b>Holding Force</b>	250kg – 280kg	250kg – 280kg
<b>Dimensions</b>	(L)182 x (H)42 x (D)23 mm	(L)182 x (H)42 x (D)23 mm
<b>Voltage</b>	12Vdc/ 24Vdc ±10%	12Vdc/ 24Vdc ±10%
<b>Current</b>	450mA @ 12Vdc 225mA @ 24Vdc	450mA @ 12Vdc 225mA @ 24Vdc
<b>Monitoring</b>	None	Hall Effect / Bond sensing
<b>Operating Temperature</b>	-10 to 55 Degrees	-10 to 55 Degrees
<b>Operating Humidity</b>	0 - 95%	0 - 95%

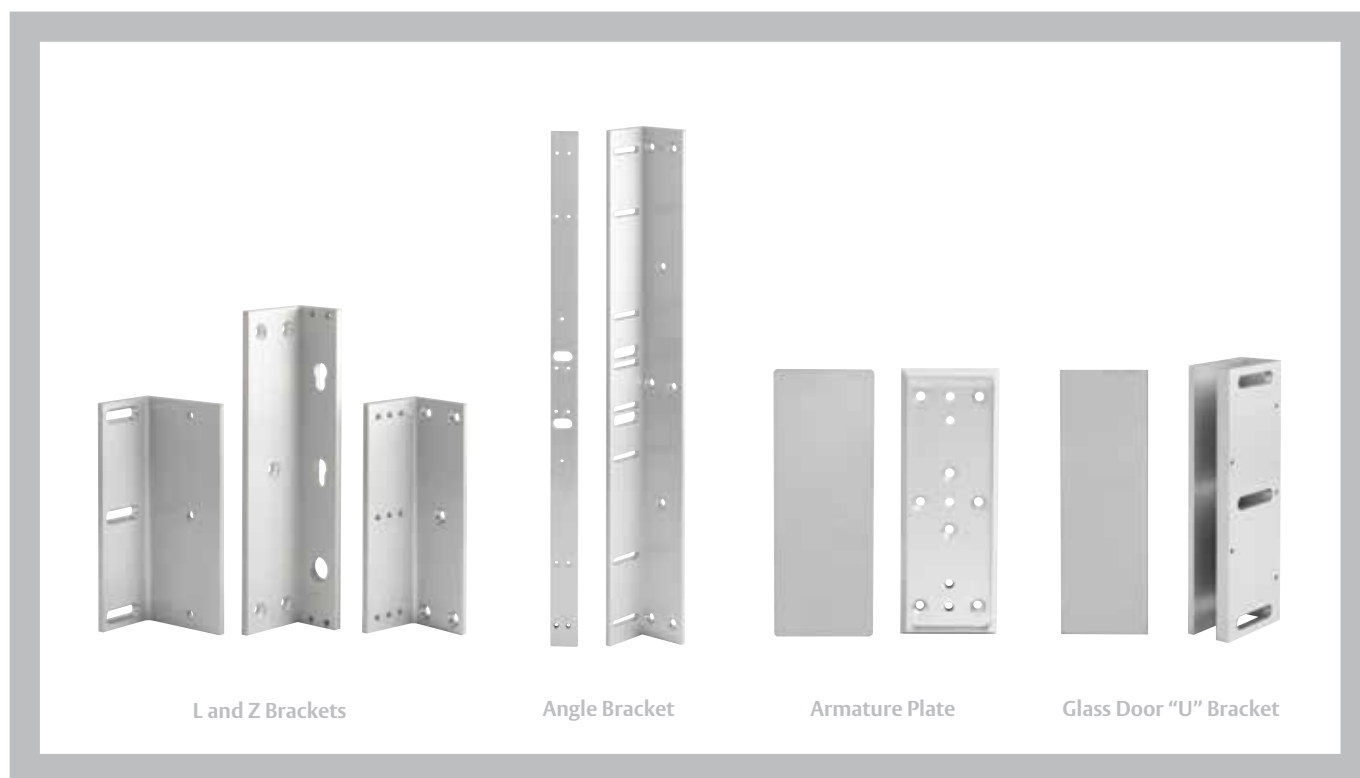
### Specification Statement

The Recessed Series Electromagnetic Lock should be constructed in an aluminium case with heavy duty electromagnet. The range only operates in fail safe mode and relies on a secondary lock or battery backup system.

### Ordering Information

Product Description	Part Number
Z4 Recessed Electromagnet – Non Monitored	770300-200
Z4 Recessed Electromagnet – Monitored	770300-210

# Electromagnetic Lock Accessories



L and Z Brackets

Angle Bracket

Armature Plate

Glass Door "U" Bracket

## General Description

The Trimec Electromagnetic lock range offers a number of accessory options. These accessories allow the electromagnetic locks to be used in a number of different applications and can be adjusted and suited to each situation. This allows the installer to configure the door as required allowing user specific features such as open in / open out selection or glass door applications. Trimec's Electromagnetic Lock accessories meet or exceed local and international standards, providing safe and secure locking.

## Key Features

- Adjustable fixing positions
- Cast aluminium construction
- Meet and exceed International and local standards

## Applications

- Open in/Open out doors
- Glass door security
- Double doors security
- Sliding door security

## Ordering Information

Product Description	Part Number
<b>L and Z Brackets</b>	
Z4 Single	EMZ4B-SLZ
Z4 Double	EMZ4B-DLZ
Z8 Single	EMZ8B-SLZ
Z8 Double	EMZ8B-DLZ
<b>Glass Door Armature Plate</b>	
Z4	EMZ4B-GA
Z8	EMZ8B-GA
<b>Glass Door "U" Bracket (12mm Glass)</b>	
Z4	EMZ4B-GU
Z8	EMZ8B-GU
<b>Mounting Plates</b>	
Z4 Single	EMZ4B-SMP
Z4 Double	EMZ4B-DMP
Z8 Single	EMZ8B-SMP
Z8 Double	EMZ8B-DMP
<b>Armature Bracket</b>	
Z4 Non-Monitored	EMZ4B-AN
Z4 Monitored	EMZ4B-AM
Z8 Non-Monitored	EMZ8B-AN
Z8 Monitored	EMZ8B-AM
<b>Screw Kits</b>	
Z4	EMZ4SP-SC
Z8	EMZ8SP-SC
<b>PCB's</b>	
Z4 Monitored	EMZ4SP-PCBM
Z8 Monitored	EMZ8SP-PCBM





# Electromechanical Bolts

TB25 Drop Bolt	70
TB25KO Drop Bolt	72
TB38 Drop Bolt	74
ES6000 Hook Lock	76
ES8000 V-Lock	78
ES8200 Technilock	80



# TB25 Drop Bolt

## General Information

The TB25 drop bolt represent true engineering innovation, design excellence and the superior quality customers have come to expect and demand from Trimec. Designed for use on swing-through, double action doors, these drop bolts are ideal for applications where an electric strike is impractical.

## Features

- High Security. Bolt is deadlocked in the extended position
- Bolt position monitored
- Door position monitor with integrated magnet into the strike plate (no need to install a separate reed switch)
- Multiple Orientation, drop bolts will work horizontally or vertically
- Power to Lock/ Power to Open
- Continuously Rated Solenoid
- Tamper Proof. Lock cannot be defeated by slipping a metal object between lock and striker plate
- Intelligent Electronics. These intelligent bolts will attempt to re-close the bolt 8 times, allowing time for swing through doors to settle in the closed position
- Thermal Protection. In the event of solenoid overheat, a thermal fuse will operate, eliminating any fire risk


## Applications

- Glass doors
- Timber doors



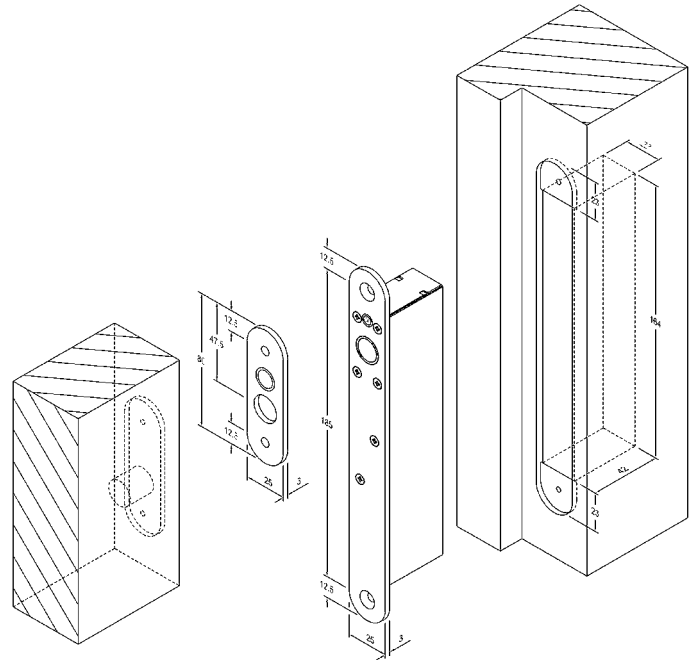
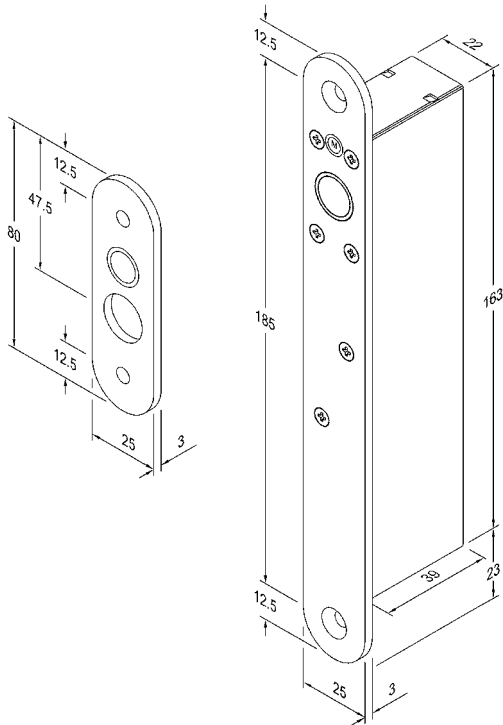
## Standards and Compliance

 British Standard BSEN 50081-1  
BSEN 50082-1

 CE Approved

 C-tick Certified

# TB25 Drop Bolt



## TB25 Drop Bolt Technical Information

<b>Voltage</b>	12 to 24Vdc
<b>Current (Start)</b>	1100mA @ 12Vdc, 1000mA @ 24Vdc
<b>Current (Holding)</b>	210mA @ 12Vdc, 90mA @ 24Vdc
<b>Holding Force</b>	1000kg
<b>Locking Mode</b>	PTL & PTO
<b>Dimensions (Mortice)</b>	164 x 22mm
<b>Bolt Length</b>	12.7 x 16mm
<b>Faceplate Size</b>	10 x 25mm
<b>Monitoring Contacts</b>	Bolt & Door

## Specification Statement

The bolt must be able to operate in horizontal and vertical orientations. The position of the bolt must be monitored as well as have an integrated reed switch for door position monitoring. The electronic functions must include: 8 x lock and unlock attempts, 8 second unlock delay, automatic relock after 8 seconds, power reduction circuitry to limit the holding current, and a one time thermal fuse cut-out in case of solenoid overheating. Locking function can be converted from Power to Lock (PTL) to Power to Open (PTO). The faceplate and strike plate must be finished in stainless steel.

## Ordering Information

Product Description	Part Number
TB25 12-24VDC Fail Safe - Dropbolt	118251-000
TB25 12-24VDC Fail Secure - Dropbolt	118252-000
<b>Accessories</b>	
EB25 SS Short strike plate RH	228250-000
EB25 SS Long strike plate RH	228250-002
EB25 SS Housing	228250-003
EB25 SS Dress plate	228250-004
EB25 L Bracket With Magnets	228250-005
EB25 L Bracket Without Magnets	228250-006

# TB25KO Drop Bolt

## General Information

The TB25KO drop bolt also represents true engineering innovation, design excellence and the superior quality customers have come to expect and demand from Trimec. Designed for use on swing-through, double action doors, these drop bolts are ideal for applications where an electric strike is impractical. The TB25KO offer a unique mechanical override with in integrated euro profile cylinder.

## Features


- High Security. Bolt is deadlocked in the extended position
- Mechanical key override in the event of power failure. (Euro Profile Cylinder)
- Bolt position monitored
- Door position monitor with integrated magnet into the strike plate (no need to install a separate reed switch)
- Multiple Orientation, drop bolts will work horizontally or vertically
- Power to Lock/ Power to Open
- Continuously Rated Solenoid
- Tamper Proof. Lock cannot be defeated by slipping a metal object between lock and striker plate
- Intelligent Electronics. These intelligent bolts will attempt to re-close the bolt 8 times, allowing time for swing through doors to settle in the closed position
- Thermal Protection. In the event of solenoid overheat, a thermal fuse will operate, eliminating any fire risk


## Applications

- Glass doors
- Timber doors



## Standards and Compliance

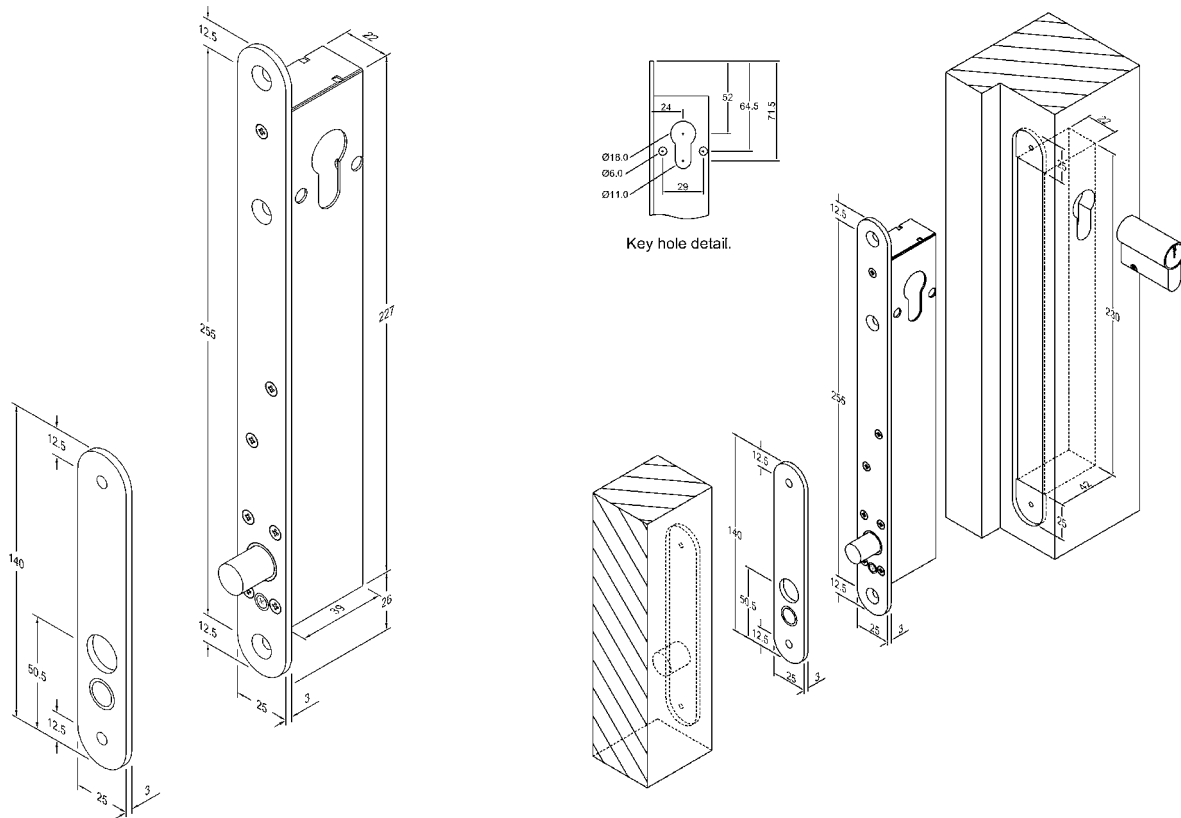
 British Standard BSEN 50081-1  
BSEN 50082-1

 CE Approved

 C-tick Certified



# TB25KO Drop Bolt



## TB25KO Drop Bolt Technical Information

<b>Voltage</b>	12 to 24Vdc
<b>Current (Start)</b>	1100mA @ 12Vdc, 1000mA @ 24Vdc
<b>Current (Holding)</b>	210mA @ 12Vdc, 90mA @ 24Vdc
<b>Holding Force</b>	1000kg
<b>Locking Mode</b>	PTL & PTO
<b>Dimensions (Mortice)</b>	228 x 22mm
<b>Bolt Length</b>	12.7 x 16mm
<b>Faceplate Size</b>	280 x 25mm
<b>Monitoring Contacts</b>	Bolt, Door & Key

## Ordering Information

Product Description	Part Number
TB25KO 12-24VDC Fail Safe Dropbolt	118251-500
TB25KO 12-24VDC Fail Secure Dropbolt	118252-500
<b>Accessories</b>	
EB25KO SS Long Strike Plate	228250-501
EB25KO SS Housing for Bolt	228250-502
EB25KO SS Housing for Long Strike Plate	228250-503
EB25KO SS Dress Plate	228250-504

## Specification Statement

The bolt must be able to operate in horizontal and vertical orientations. The position of the bolt must be monitored as well as have an integrated reed switch for door position monitoring. The electronic functions must include: 8 x lock and unlock attempts, 8 second unlock delay, automatic relock after 8 seconds, power reduction circuitry to limit the holding current, and a one time thermal fuse cut-out in case of solenoid overheating. The faceplate and strike plate must be finished in stainless steel. In the event of a power failure the lock must be mechanically overridden by means of a cylinder.

# TB38 Drop Bolt

## General Information

The TB38 range of drop bolts are designed for use on swing-through, double action doors, these drop bolts are ideal for applications where an electric strike is impractical.

## Features

- High Security. Bolt is deadlocked in the extended position
- Bolt position monitored
- Door position monitor with integrated magnet into the strike plate (no need to install a separate reed switch)
- Multiple Orientation, drop bolts will work horizontally or vertically
- Fail safe or Fail Secure
- Continuously Rated Solenoid
- Tamper Proof. Lock cannot be defeated by slipping a metal object between lock and striker plate
- Intelligent Electronics. These intelligent bolts will attempt to re-close the bolt 8 times, allowing time for swing through doors to settle in the closed position
- Thermal Protection. In the event of solenoid overheat, a thermal fuse will operate, eliminating any fire risk

## Applications

- Glass doors
- Timber doors



## Standards and Compliance



British Standard BSEN 50081-1  
BSEN 50082-1

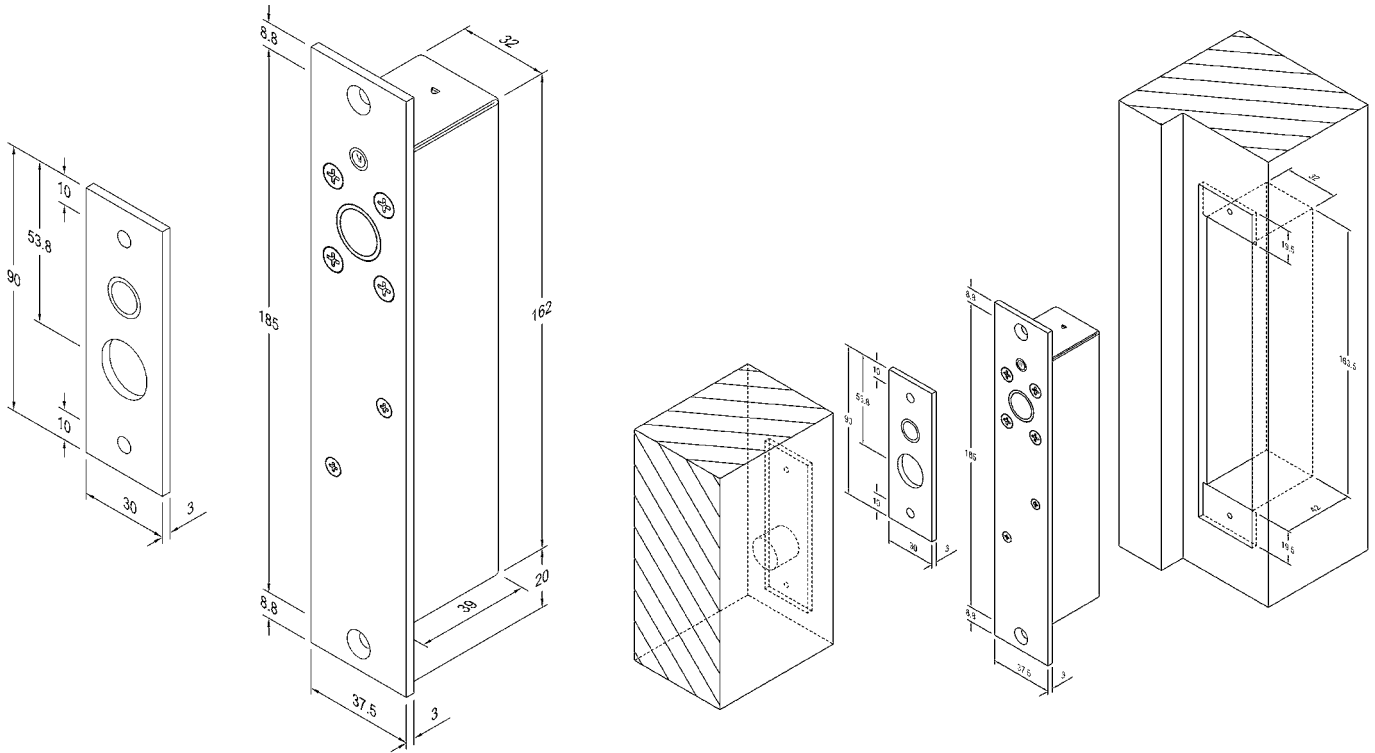


CE Approved



C-tick Certified

# TB38 Drop Bolt



## TB38 Drop Bolt Technical Information

<b>Voltage</b>	12 to 24Vdc
<b>Current (Start)</b>	1400mA @ 12Vdc, 1100mA @ 24Vdc
<b>Current (Holding)</b>	260mA @ 12Vdc, 105mA @ 24Vdc
<b>Holding Force</b>	2000kg
<b>Locking Mode</b>	Fail Safe & Fail Secure
<b>Dimensions (Mortice)</b>	164 x 33mm
<b>Bolt Length</b>	14.3 x 14mm
<b>Faceplate Size</b>	202 x 38mm
<b>Monitoring Contacts</b>	Bolt & Door

## Specification Statement

The bolt must be able to operate in horizontal and vertical orientations. The position of the bolt must be monitored as well as have an integrated reed switch for door position monitoring. The electronic functions must include: 8 x lock and unlock attempts, 8 second unlock delay, automatic relock after 8 seconds, power reduction circuitry to limit the holding current, and a one time thermal fuse cut-out in case of solenoid overheating. Locking function can be converted from Power to Lock (PTL) to Power to Open (PTO). The faceplate and strike plate must be finished in stainless steel.

## Ordering Information

Product Description	Part Number
TB38 12-24VDC Fail Safe Dropbolt	118381-000
TB38 Fail Secure 12-24VDC - 38mm F/P	118382-000
<b>Accessories</b>	
EB38 SS Housing	228380-004
EB38 SS Dress plate	228380-005
EB38 SS L Brackets 2 - Magnets	228380-006

# ES6000 Hook Lock

## General Information

ES6000 Hook Lock is suitable for swinging doors, sliding doors and is easily attached to wood or steel door frames. ES6000 is heavy duty designed with its high preload (side load) capability of up to 300 kg, high holding force of up to 680 kg and up to 4 hour fire rating. Both Power to Open and Power to Lock models are available.

The ES6000 is available in both recess and surface mounted versions.

The ES6000 recess mounted version is completed with elegant satin stainless steel faceplate. The surface mounted version is completed with a cast aluminium cover.

ES6000 can be mounted vertically and horizontally, with self-latching ability without power for fire applications.

## Features

- Power to Open or Power to Lock versions available
- Side Load (Pre-Load) Capable: Operates freely with up to 300 kg of side pressure
- Self Latching: Will self latch without power for fire applications
- 680kg holding force
- Robust Construction: Stainless steel components used
- Low Profile: Will protrude only 40mm into door headroom
- Multi Voltage: Automatic selection 12 to 30Vdc with back EMF protection and reverse polarity protection
- Multi Orientation: Can be mounted vertically or horizontally
- Low Current Consumption
  - 12VDC- 250mA after 1 sec. (initial current 830mA)
  - 24VDC- 140mA after 1 sec.(initial current 530mA)
- Monitored: locked and unlocked
- Tested to the 300kg preload capability



## Applications:

- Heavy duty applications
- Sliding and swing door applications
- High air pressure environments (High Pre Load rating)

## Standards and Compliance



Successfully fire rated up to 2hrs on fire door assemblies in accordance with AS1905.1. 2005 (Part 1: Fire resistant door sets).

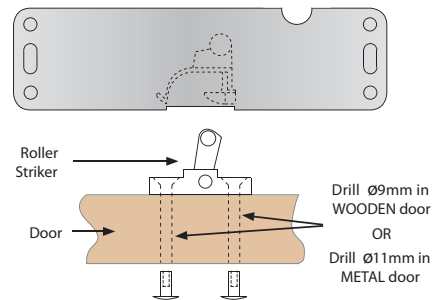
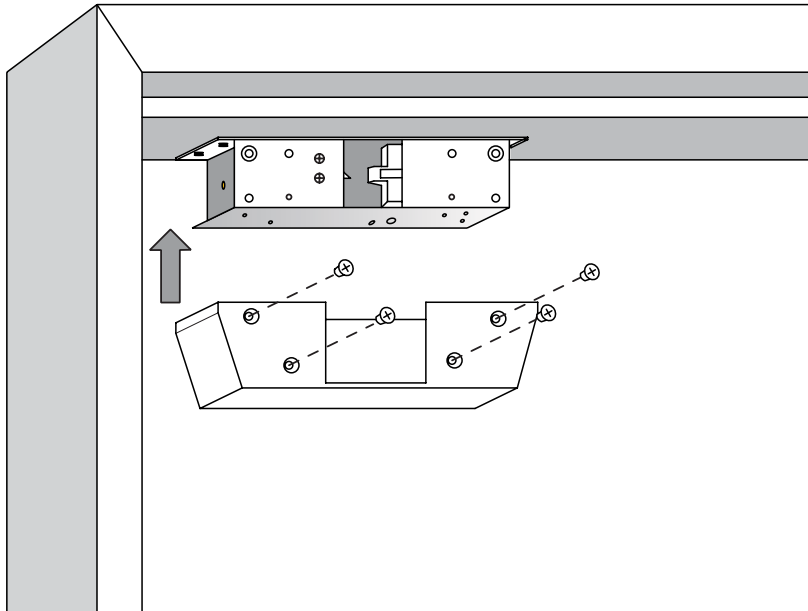


CE Approved



Approved to UL1034 (highest level)

# ES6000 Hook Lock



## ES6000 Hook Lock Technical Information

<b>Voltage</b>	Supply Voltage 12-30Vdc Ground (OV)
<b>Current</b>	12Vdc – 250 mA after 1 sec. (initial current 830 mA) 24Vdc – 140 mA after 1 sec. (initial current 530 mA)
<b>Monitoring</b>	Door locked (Solenoid) – Door Closed (Latch)
<b>Strength</b>	680kg static strength rating 70 foot-lbs. dynamic strength rating
<b>Endurance</b>	Internal Testing achieved: 2,000,000 cycles of operation
<b>Pre-Load</b>	300kg pre-load capability
<b>Environment</b>	Operational temperature range: -20°C to +60°C
<b>Lock Body</b>	Cast Aluminium Construction
<b>Lock Bolt</b>	Solid Stainless Steel Construction

## Specification Statement

This lock must be able to operate with up to 300kg of preload pressure, with a holding force of 680kg. The lock must be multi voltage selection 12 - 30 Volts with back EMF protection for reverse polarity. Lock can be mounted both horizontally or vertically. The lock need to be subjected to vigorous testing and a minimum of 2,000,000 cycles need to be achieved.

## Ordering Information

Product Description	Part Number
ES6001SS Mortice, Hook Lock Monitored, 12 - 24V Fail Safe SS Faceplate (Recessed)	116001-000
ES6001SIL Surface, Hook Lock Monitored, 12 - 24V Fail Safe Silver Cover	116001-010
ES6002SS Mortice, Hook Lock Monitored, 12 - 24V Fail Secure SS Faceplate (Recessed)	116002-000
ES6002SIL Surface, Hook Lock Monitored, 12 - 24V Fail Secure Silver Cover	116002-010
<b>Accessories</b>	
Spare Cover for Hook Lock, Silver	206000-010
ES6000 Roller Strike Assembly	220600-503

# ES8000 V-Lock

## General Information

The ES8000, also known as the V-lock is a high torque motorised bolt that moves from the vertical position to the horizontal state when locked. The bolt moves into the V shaped strike plate pulling the door aligned with the lock. The high torque motorised bolt can be concealed from view or surface mounted and has the worlds first fail-open motor locking mechanism.

Slim design with classic satin stainless steel faceplate, and significant 7mm overall (+/- 3.5mm) door misalignment tolerance make ES8000 a product with great aesthetic appearance as well as easy installation.

## Features

- **SIDE LOAD - PRE LOAD Capable**  
Lock will unlock with up to 15kg of side pressure, when wired in 3 wire mode. (1 x Permanent Power, (positive 12-24Vdc) wire. Negative (0 volt return) wire, and 1 x Switching input (positive 12-24Vdc) wire)
- Door misalignment of up to 3.5mm +/-
- Power to Lock (Fail Safe) / Power to Open (Fail Secure) field configurable
- **HIGH TORQUE** Motorised locking and unlocking (3 wire mode)
- High Speed Operation. Unlocks in less than 1 second
- Surface Mount Accessory Kit. Ideal for 180° swing through glass door applications
- Multiple Orientation – Interior Doors  
Can be mounted vertically or horizontally (For exterior doors due to possible water ingress the ES8000 must be mounted horizontally)

## Applications

- Misaligned doors
- Timber doors
- Glass doors



## Standards and Compliance

SCEC Endorsed (Intruder Resistant Bracket Required)

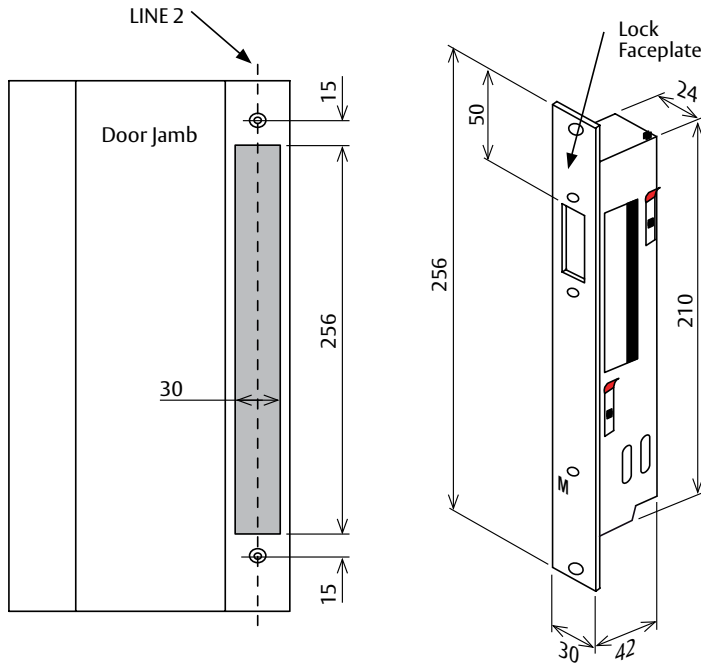


Successfully fire rated up to 4hrs on fire door assemblies in accordance with AS1905.1. 2005 (Part 1: Fire resistant door sets).

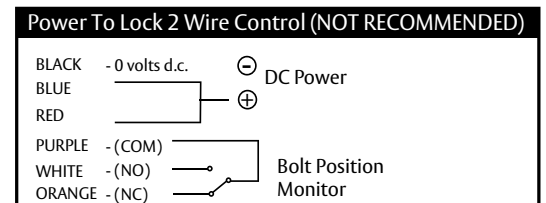
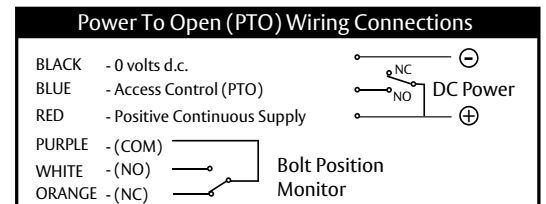
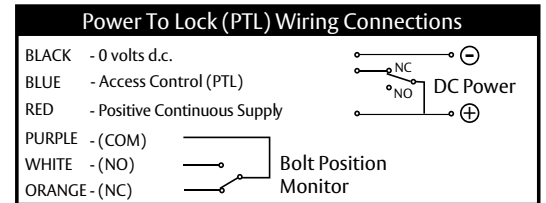


CE Approved

# ES8000 V-Lock



Wiring below shows lock in locked position



## ES8000 V-Lock Technical Information

<b>Voltage</b>	12 to 24Vdc, Voltage Tolerance 12V (+15% -0%) 24V(+/- 15%)
<b>Current</b>	Minimum 1 Amp Regulated Supply
<b>Monitoring</b>	COM, NO, NC Voltage free changeover contacts rated at 48 dc/100mA
<b>Security</b>	Passed S3 (AS4145.2 -1993)
<b>Strength</b>	Maximum 1000kg (with supported strike plate)
<b>Side Load</b>	Side Load rated: Motorised Unlocking – 15kg max at bolt Fail Safe Unlocking – 3kg max at bolt
<b>Endurance</b>	300,000 operations
<b>Environment</b>	Operational temperature range -20°C to + 60°C
<b>Lock Body</b>	Stainless Steel Lock Body and Faceplate
<b>Bolt</b>	11 mm diameter, 20.5mm projection

## Ordering Information

Product Description	Part Number
ES8001 V-Lock 12-24vdc Fail Safe 30mm F/P	118001-010
ES8002 V-Lock 12-24vdc Fail Secure 30mm F/P	118002-010
ES8001 V-Lock 12-24vdc Fail Safe 30mm F/P - Scec Endorsed	118001-100
ES8002 V-Lock 12-24vdc Fail Secure 30mm F/P - Scec Endorsed	118002-100
<b>Accessories</b>	
ES8000 V-Lock Glass door housing (Incl dress plate & fixing tape)	218000-000
ES8000 V-Lock strike plate with magnet (spare part)	218000-003

## Specification Statement

The lock must be a high torque motorised bolt with Preload tolerance. The strike plate must be shaped in a V format to accommodate for misaligned doors. Lock will unlock with up to 15kg of side pressure and will be powered with 12-24v and draw no more than 1000mA. The lock must be configurable for Power to Lock (Fail Safe) or Power to Open (Fail Secure). The lock must be triggered with a magnet positioned in strike plate, and be monitored for locked unlocked and door position.

# ES8000 Glass Door Bracket

## General Description

The ES8000 glass door bracket is the ideal solution when it comes to 180° swing through doors or double action glass doors. This bracket works in conjunction with the ES8000, and is not limited to glass thickness. As we know there are many factors that cause side load/pressure, the ES8000 resolves this problem and still offer a secure and reliable locking solution that is aesthetically appealing for glass doors.

The ES8000 Glass door bracket is fixed to the glass by means of 3M self adhesive tape. This type of fixing gives a great aesthetic appearance as well as easy installation.

**Note:** Two brackets are required if there is a glass header, also it's important to note that the bracket/s should always be installed at the secure side of the door.

## NOTES ON THE 3M SELF ADHESIVE TAPE

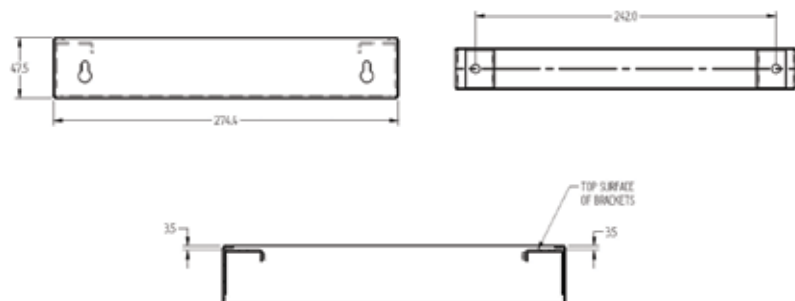
As per the 3M published data and given the surface area of the V-Lock glass door housing (around 20 sqin), this equates to around 900kg holding force under laboratory conditions. The actual shatter point of glass varies from door to door depending on the condition of the glass, (scratches, chips etc). But any attempt to leverage a glass door beyond 500kg will more than likely shatter it.

## Features

- Self adhesive holding force 900kg
- Includes dress plate for opposite side of door

## Applications

- Frameless glass doors with Solid header frame
- Frameless glass doors with frameless glass header (two brackets required)
- 90° and 180° single and double swing glass doors
- Other surface applications for timber doors.



## Ordering Information

Product Description	Part Number
ES8000 V-Lock Glass door Housing (incl Dress plate and 3M fixing tape)	218000-000



# Don't Compromise.



ES8000 V-Lock  
with Strike Plate

The ES8000 V-Lock is a high torque motorised bolt which unlocks in less than one second.

In addition to the overall misalignment tolerance of 7mm, the V-Lock makes an ideal solution for both single and 180° double action doors, owing to its slim design, rigid construction and an impressive aesthetic appearance.

[assaabloy.com.au](http://assaabloy.com.au)  
[trimec.com.au](http://trimec.com.au)

**TRICARE**<sup>®</sup>  
 Protected by TRICARE 5 year  
 replacement warranty

An ASSA ABLOY Group brand

ASSA ABLOY Australia Pty Limited ABN 90 086 451 907 © 2011

**ASSA ABLOY**

# ES8200 Technilock

## General Information

ES8200 Technilock is a high security locking solution with comprehensive resistance against all types of attack and manipulation. Originally designed and developed for custodial purposes, the Technilock is in use today in Government Institutions, Banks, Embassies and Jewellers.

ES8200 is available in 30mm and 60mm backset, in both Power to Lock or Power to Open configuration. Key override monitoring version is also available upon special request.

## Features

- Side load Pre Load capable – Bolt will release with up to 70kg of side pressure – ideal for use on doors with seals or doors that are subjected to high wind load or air-conditioning pressures
- Extreme holding force – Will withstand more than 2500kgs.
- Power to Lock and Power to Open (must be specified). Versions available on request. The bolt is not interchangeable in the field and configuration must be specified when ordering
- High speed operation – Locks in less than 1 second
- Multiple orientations – Can be mounted horizontally or Vertically
- Comprehensive monitoring – Bolt Locked, Door Closed, Optional Key-Override monitoring

## Applications

- High security locking
- Government applications
- Custodial applications
- Banking and security applications



## Standards and Compliance

SCEC Approved (Secure Area)

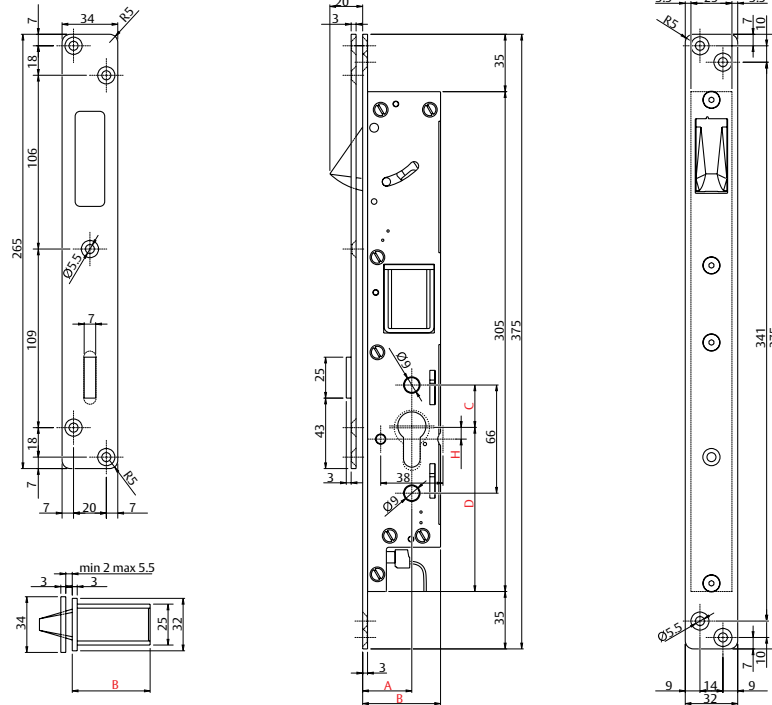


Successfully fire rated up to 4hrs on fire door assemblies in accordance with AS1905.1.2005 (Part 1: Fire resistant door sets).

# ES8200 Technilock

## Dimensions – 30mm Backset

A	30
B	47.5
C	25
D	101
H	8



## ES8200 Technilock Technical Information

<b>Voltage</b>	3 wire control – 24 Vdc regulated supply only
<b>Current</b>	Start Current 4.5 Amp (24Vdc) for ½ second Holding Current 500mA (24Vdc).
<b>Monitoring</b>	Bolt Position 25mA (30Vdc) NC – Door Position 25mA (30Vdc) NC
<b>Holding Force</b>	In excess of 2500kg Holding Force
<b>Pre Load</b>	Will open with 70kg of Side Pressure (Pre-Load)
<b>Bolt Throw</b>	Dead Bolt throw of 20mm
<b>Door Clearance</b>	Maximum door gap = 5.5mm
<b>Environment</b>	Operational temperature range: -20°C to + 80°C
<b>Lock Body</b>	Solid Stainless Steel Construction
<b>Lock Bolt</b>	Solid Stainless Steel

## Specification Statement

The lock must be capable of side pressure and with an overall holding force not less than 2500kgs. Also with side load pressure under pre Load condition up to 70kg. The lock could be mounted both horizontally or vertically. It also must be monitored in the following ways; bolt locked, door closed, with an optional Key-Override.

## Ordering Information

Product Description	Part Number
ES8203 24Vdc Technilock Fail safe 30mm	118203-010
ES8203 24Vdc Technilock Fail safe 60mm	118203-011
ES8204 24Vdc Technilock Fail secure 30mm	118204-010
ES8204 24Vdc Technilock Fail secure 60mm	118204-011
<b>Accessories</b>	
Optional security escutcheon for ES8200 High Security Bolt	228200-000



# Electric Door Operators and Panic Exit Device



8002 Electromechanical Door Operator	100
5002 Swing Door Operator	102
9000 Series Panic Exit Operators	104
DE6SC Delayed Egress Device	106

# 8002 Electromechanical Door Operator



## General Information

The Lockwood Swing Door Operator is an electro-hydraulic operator designed for a wide variety of applications. It is suitable for almost all types of external and internal swing doors and has been developed to cope with tough conditions. The operator can be mounted on either side of the door for pull or push action and is suitable for single or double doors fitted with butt hinges or pivots. With remote, push button and motion sensor options, the 8002 provides a full range of electronic door opening solutions.

## Features

- Opens with motor and closes with spring
- Opening and closing speeds can be varied individually
- Door opening angle adjustable up to 120°
- A range of manual and automatic activation units available
- Impulse and presence detection sensors available
- Non Handed
- Push or pull opening solutions

## Applications

- Disability Entrance solutions
- Hospital and Health Centre Applications
- Access Controlled Locking
- In Swinging or Out Swinging Doors

### Meets requirements for door weights/widths stated in the:

Controlled door closing, EN 1154 size 3 – 6

Coordination unit for rebated doors, EN 1158

Door closer with opening device (Swing door operator), DIN 18263-4 AU Size 3-6

ANSI/BHMA A156.10, A156.19

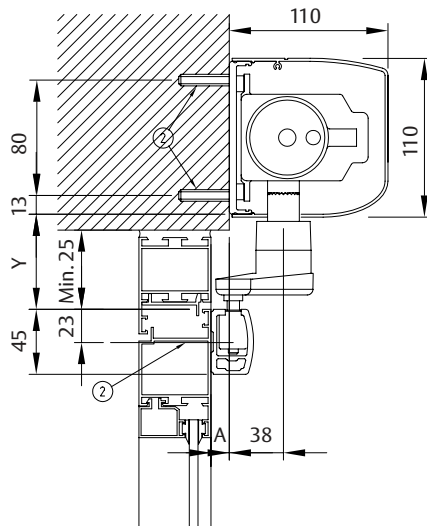


UL325/CUL325

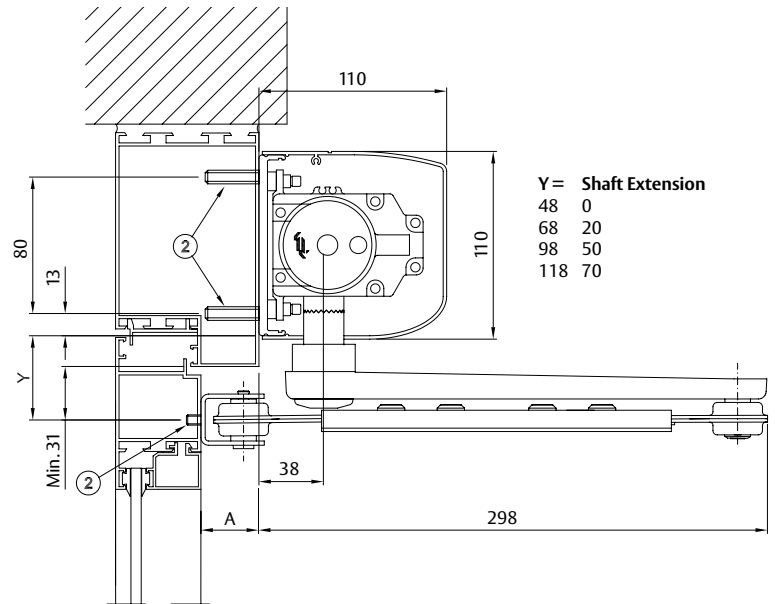
SITAC 0710/97

# 8002 Electromechanical Door Operator

## Pull Side



## Push Side



Y =	Shaft Extension
48	0
68	20
98	50
118	70

## Technical Information

<b>Electrical</b>	230V AC Mains power, 50 Hz fuse 10 A
<b>Door leaf width</b>	Maximum door width – 1600mm
<b>Recommended door weight</b>	Maximum door weight – 250 kg
<b>Door opening angle</b>	Maximum opening angle - 120°
<b>Closing Power</b>	EN Size 3-6
<b>Environment</b>	Operational temperature range: -15°C to + 50°C
<b>Dimensions</b>	110 (H) x 110 (D) x 716 (L) mm

## Specification Statement

This Door Operator must have an electro-hydraulic motor with a capacity to push or pull doors up to 250kg in weight. The operator could be mounted on either side of the door for pull or push action and should be suitable for single or double doors fitted with butt hinges or pivots. The operator should have inputs for various electronic keypad controllers and motion sensors.

## Ordering Information

Product Description	Part Number
Swing Door Operator (PULL SIDE)	8002SSIL
Swing Door Operator (PUSH SIDE)	8002PSIL
<b>Accessories</b>	
Telescopic Arm 110 – 235MM Reveal (PUSH SIDE)	8002-173005
Telescopic Arm 235 – 360MM Reveal (PUSH SIDE)	8002-173004
Joint for Telescopic Arm 235 – 485MM Reveal (PUSH SIDE)	8002-173191
Doorstop – Push Arm System	8002-100147
Spacer For Door Fitting	8002-173804BK



ASSA ABLOY

# 5002 Swing Door Operator

## General Information

The Lockwood 5002 swing door operator has been designed for most internal door applications. The small discrete form factor allows the 5002 to be installed on more doors than its larger counterpart. The unit can be installed to 80kg (push) or 60kg (pull) doors.

The virtually silent electro mechanical operator offers variable opening and closing speeds, allowing the 5002 to efficiently open doors without hitting unnecessary obstacles.

The operator can be opened with a radar, card reader or push buttons. Further more, the intelligent Push & Go feature can sense that you are manually trying to push or pull the door and the operator will automatically assist you in opening the door and automatically close the door after a predetermined time.

## Features

- Push or pull doors (Push Standard)
- Low noise
- 60–80kg door weight
- Allow 30% reduction for pushside
- Low resistance if used manually (Push & Go)
- Adjustable hold open time – 0 to 60 seconds
- Pre-pull before opening when connected to electro mechanical lock
- Push & Go function as a standard function
- Built in 24 VDC/0.5 A power supply
- 6 door weight settings to minimise impact of obstacles
- Opening input can be controlled by various electronic devices such as readers, keypads, switches and radar beams
- Safety beam input for opening or closing
- Simple to program
- Software interface for maintenance and additional adjustments for the installer



## Applications

- Offices, meeting rooms
  - Disabled homes and doors
  - Public disabled toilets
  - Baby changing rooms
  - Nursing homes
  - Child care facilities
  - Residential use
- Note:** This is only to be used on internal doors where wind pressure will not effect the operation.
- Conforms in accordance to AS1428.1-2009 with regards to: Force required to operate door when manual mode is selected (Less than 20n)

## Part Numbers

Description	Part Number
<b>Push Side</b>	
Door Operator (includes mounting plate)	5002SIL
<b>Pull Side</b>	
Door Operator (includes mounting plate)	5002SIL
Slide arm assembly for pull side	+DC194/100000



# 5002 Swing Door Operator

## Operator with Motion Detector/Elbow Switch

- 1 x 5002SIL Swing Door Operator
- 1(2) x 8002 - 1700007 Radar Activation Unit
- 1(2) 8002 - 1700008 Elbow Switch

Inside activation with an 8002 - 1700008 Elbow switch for manual activation on one side.

Ideally suited for doorways where usage is primarily for people carrying goods, pushing trolleys, wheelchairs or beds.



## Operator Interconnected to ES9000 Series Electric Strike

### Outside

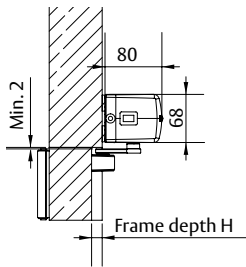
- Keypad or card reader sends signal to open ES9000 strike to release Door Lock, operator signal sent to 5002SIL to Open Door.

### Inside

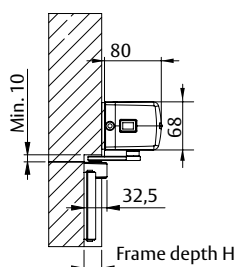
- 8002-17007 Radar Activation Unit or 8002-170008 Elbow switch.
- Ideally suited to doors with locking requirements.



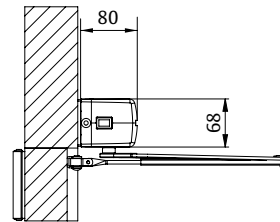
**Note:** This solution also suitable for Lockwood 8002 operator.



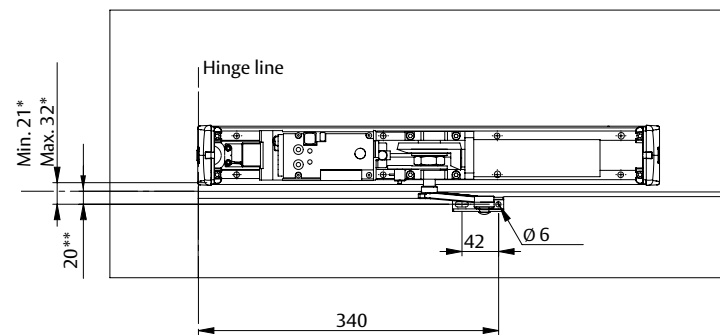
Sliding arm to the closing side



Sliding arm to the opening side



Standard arm to the closing side



## Specification Statement

The operator must be symmetrical suitable for left and right hand installations. The operator must have 6 strength settings to minimise the impact of obstacles. The operator must work in conjunction with a electromechanical mortice lock and have the intelligent pre-pull feature before unlocking the lock minimising the preload effect on the electro mechanical mortice lock. The force required to operate door when manual mode is selected should be less than 20n.

## 5002 Swing Door Operator Technical Information

<b>Product size</b>	(L) 523mm x (H) 68mm x (W) 80mm
<b>Weight</b>	3.5kg
<b>Supply voltage</b>	230 VAC (±15%) 50–60 Hz
<b>Back-up</b>	Inlet 24 VDC (±15%) 2A
<b>Enclosure class</b>	IP20
<b>Temperature range</b>	Storage -20–70°C Operation 0–40°C
<b>Current draw</b>	Power output 24 VDC max 500 mA Potential free relay output 0.8 A @ 30 VDC resistive load 0.3 A @ 30 VDC inductive load
<b>Max door weight</b>	80 kg with standard arm, closing side installation 60 kg with sliding arm, opening and closing side installation

# 9000 Series Panic Exit Device



## General Information

This series of panic exit devices is designed to provide a ready means of escape at all times by the single action of pushing on a horizontal bar fitted across the full width of the door. Electromechanical push bars will ensure electronic locking of emergency exits.

A new safety concept which is both active and passive in order to satisfy requirements for property, security and life safety. The blocking function ensures entrance and exit flow management.

9000EO/24 and 9300EO/24 are fail-safe devices which automatically unlock the door upon activation of any BCA complying sprinkler systems when connected to one of these devices. This is in line with Clause D2.21 (a) (iv) the Building Code of Australia (Vol 1).

## Features

- Suitable for single and double door applications of 900 or 1200mm width doors
- All functions are reversible and non handed
- Deadlatching on all bolts
- Some models site adjustable
- Available in Horizontal or Vertical locking variations
- Standard maximum height up to 2300mm extension to 3000mm
- Safety clutch outside lever trim plate protects the unit from damage that could render the device inoperable
- Installed with centre line of exit device at 1023 mm above finished floor level

## Applications

- Emergency escape exits
- Disability entrances

# 9000 Series Panic Exit Device

## Technical Information

<b>Voltage</b>	The power supply must be regulated rectified DC voltage 24VDC or 48Vdc +/- 10%
<b>Current</b>	24Vdc +/- 10%, 145mA, 48Vdc +/- 10%, 73mA
<b>Environment</b>	Operational temperature range -20°C to +60°C
<b>Case/ Cover</b>	Electroplated pressed steel
<b>Latchbolts</b>	Double chrome plated Steel
<b>Door thickness</b>	35-60 mm Standard
<b>Cylinder</b>	Special keyed options available
<b>Security</b>	Level S2 AS4145.2-1993
<b>Durability</b>	Level D3 AS4145.2-1993
<b>Furniture</b>	9000/10SIL Lever Plate, 9000/15SIL, 9000/20SIL
<b>Finishes</b>	Body – Silver Powdercoat, Touchbar – Red Powdercoat

## Standards and Compliance



Electromagnetic compatibility to European CE compliance, the equivalent of C-Tick compliance.



Successfully fire rated up to 4hrs on fire door assemblies in accordance with AS1905.1. 2005 (Part 1: Fire resistant door sets).

**S2**

Level S2 (Physical Security) AS4145.2-1993.

Level D3 (Durability) AS4145.2-1993.

AS2331-3.1 – 2001. Neutral Salt Spray Test (NSS TEST).

Conforms to Australian BCA D2-21 (d) for egress doors

## Ordering Information

### Product Description

Horizontal Single Point Locking, 900mm 24v
Horizontal Single Point Locking, 1200mm 24v
Horizontal Device (900mm) with Electric Mortice Lock
Vertical 2 point locking, 900mm 24v
Vertical 2 point locking, 1200mm 24v

### Accessories

Lever on Plate
Cylinder Pull Plate
Plain Pull Plate

### Part Number

9000EO/24BSIL
9100EO/24BSIL
9500EMLSIL
9300EO/24BSIL
9400EO/24BSIL
9000/10SIL
9000/15SIL
9000/20SIL



ASSA ABLOY

# DE6SC Delayed Egress device

## General Description

The DE6SC is designed to alert a user if an unauthorised attempt is made to access a door, particularly when free egress is required. The unit emits an infrared beam down towards a panic bar or lever. A small piece of reflective tape is placed on either of these two devices and when an attempt is made to push the panic bar or lever, the DE6SC will trigger an alarm. After 15 seconds the DE6SC releases the electronic locking mechanism thereby unlocking the door. The alarm continues to sound giving someone the opportunity to investigate the security breach. The unit is reset by disconnecting the power, this can be achieved through a keyswitch or access control panel. The delayed exit operation of the DE6SC will be overridden in the event of a fire alarm or duress. The ability to override the delay is what makes the DE6SC suitable for the locking of fire door or general emergency exits.

## Key Features

- Slave lock input for double doors
- Fail safe push to exit input
- Alarm output connected directly to siren
- Remote monitor alarm output
- Lock Monitoring
- Door Monitoring

## Applications

- Fire exit doors for retail or commercial environments



## Standards and Compliance

CE CE Approved

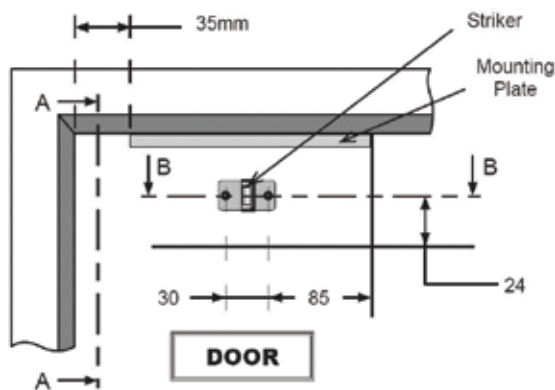
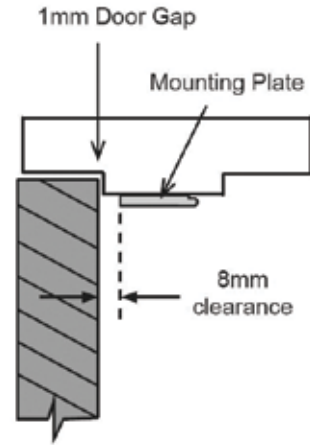
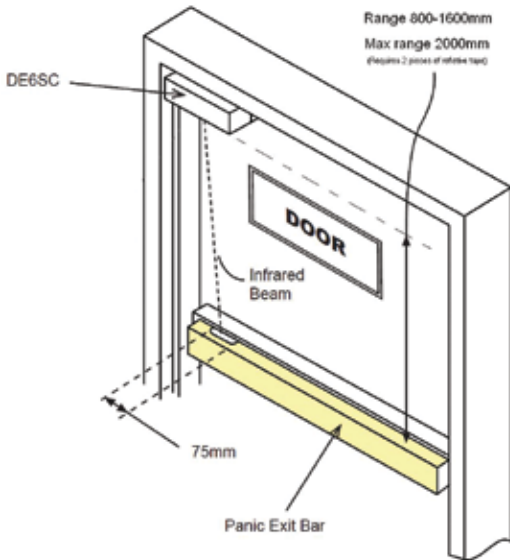
C-Tick Certified

Successfully fire rated up to 2hrs on fire door assemblies in accordance with AS1905.1. 2005 (Part 1: Fire resistant door sets)

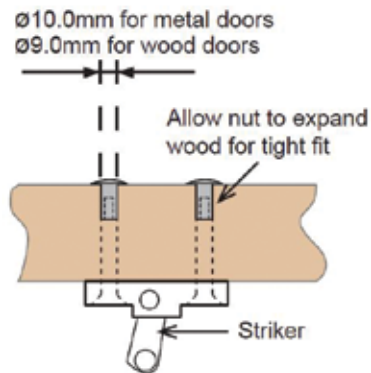
Locking Mechanism (ES6000) conforms with the relevant requirements in accordance to AS4145.2

Conforms to D2.21 of the BCA (Building Code of Australia)

# DE6SC Delayed Egress device



## View from Top of Door



### DE6SC Technical Information

Voltage	12v AC or DC
Current	12Vdc -375ma after 1 second (830ma Initial draw)
Monitoring	Lock and Door monitoring
Holding Force	1500lbs 680kg
Pre-load	660lbs 300kg
Environment Operational	Temperature range -20 deg - +60 deg

### Ordering Information

Product Description	Part Number
DE6SC Delayed Egress White Hook Lock	100610-050
DE6SC Delayed Egress Black Hook Lock	100610-030
DE6SC Reflective Tape	220600-507

### Specification Statement

The Delayed Egress System must be “Deemed to satisfy” the relevant sections of the Building Code of Australia. The system should be capable of integration with the building fire system where activation of the fire system will directly and immediately release the lock. An audible alarm should indicate to a person wishing to exit that a delay before door release is active and a distinctive change of this audible alarm would indicate the door is available for immediate exit. The delaying circuits should also be suitable for instant by-pass if an emergency push button is fitted adjacent to the door. Full monitoring of lock status and door position should be available from within the system. Resetting of a released door should be by a local key re-set or remotely re-settable depending on site requirements.



# Electric Window Actuators

Elevation Electric Window Actuator	110
Elevation Touch Screen Display	113
Elevation Rain Sensor	115



# Elevation Electric Window Actuator

## General Description

Lockwood's Elevation® is an Electric Window Control System designed to control your windows with a touch of a button. Elevation can be configured to reflect the unique layout of any home or commercial building but is primarily used to control windows that are hard-to-reach. Elevation is a flexible solution that will suit multiple window systems 2 and applications.

Window actuators can be installed in pairs that will cater for windows up to 2100mm wide or for heavier double glazed window systems 3.

Elevation conforms to the Building code of Australia, relating to the "Prevention of Falls from Windows" when used in conjunction with approved window systems. Elevation allows for a generous window opening (300mm) but can also be restricted at 15mm increments and ultimately restrict the window opening to 125mm or less.

Window actuators can be connected to a Lockwood touch screen display and Zones, such as lounge, hall, bedroom, North and east facing can be easily set up

Alternatively you can also choose to control your windows with a standard wall switch or via any 3rd party Cbus or Building management system 4.

Elevation is easy to install with the flexibility of adding additional windows at a later stage. Ultimate control is only a touch away with the option to instantly close all windows at once when leaving the house, or locking up for the night

## Applications

- Awning and casement windows
- High out of reach windows
- Conveniently open single or a group of windows
- Commercial buildings
- Residential buildings

## Cabling

Control Loom: 2m extend up to 300m (Twisted pair)  
Power Loom: 2m

## Chain Clearance for Sill

Top Chain Exit: 18.5mm (without Pivots)  
Top Chain Exit: 20.0mm (with Pivot)  
Bottom Chain Exit: 2.5mm (without Pivot)



## Chain Length 300 mm

Chain Limiting Limit chain between 50-300mm @ every 10mm

## Current

Standby Current 20mA  
Maximum Peak Load 750mA

## Endurance

12,000 Cycles

## Environment Operational temperature range

0° to +60°C

## Finishes

Black (BLK)  
White (WH)  
Special Powdercoat (PPC)

## Humidity

90% @ 35°C

## Materials

Furniture body: cast zinc.  
Sash Bracket components: Cast 303SS  
Chain: Stainless 304

## Monitoring

Monitor Open Closed 15mm or 50%

## Negative Holding force

220kg Applied force at chain



# Elevation Electric Window Actuator

## Noise Level

65dB @ Maximum window Load

## Open / Close Force

9kg

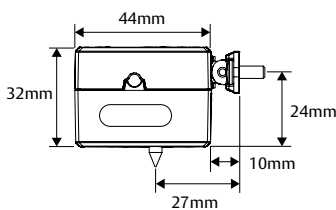
## Voltage

24-32 VDC

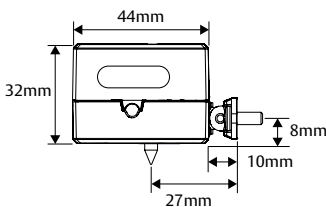
## Dimensions

mm 32H x 308L x 44D (not including sash bracket)

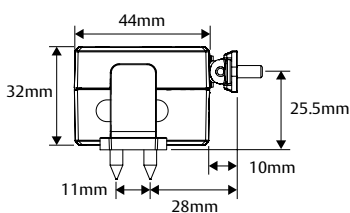
## Mounting Options



Fixed Mount Top Chain Exit



Fixed Mount Bottom Chain Exit



Pivot Mount Top Chain Exit

**Note:** Top hinge or Non friction stays need to be used

## Features

- Actuators can be controlled individually or grouped into zones
- Actuator can withstand 220kg applied negative pressure\*
- 9kg closing force ensures a tight window seal when closed
- Smooth chain movement
- 40 seconds Opening/closing time
- 300mm chain opening
- Strong, corrosion resistant stainless steel chain (grade 304)
- Field adjustable chain limiter. Limit chain between 50-300mm @ every 10mm
- Quick clutch release Key for easy installation without power connected
- Connect and synchronize a pair of window actuators to one large window
- Ability to install actuator in multiple orientations including top and bottom chain exit.
- Will cater for window sashes as short as 300mm high\*\*
- Can connect to touch screen display, standard wall switch or Cbus systems
- Network cabling can span up to 300m without voltage drop
- Connect and control up to 30 window actuators to a touch screen display
- Can connect multiple actuators (31 maximum) to a standard wall switch

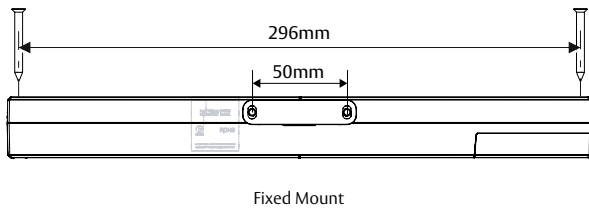
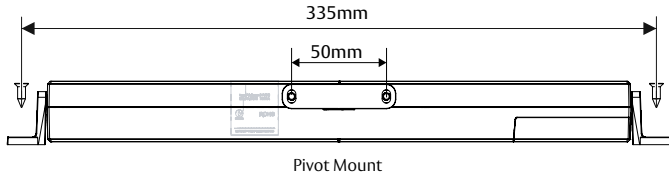
\* Through sash fixing is required to reach this force

\*\* Please see our website for the exact window size allowance, large or short windows may be restricted in terms of opening

## Reference notes

- <sup>2</sup> See fitting instructions to ensure that Elevation is suitable for your window type or size, Elevation is suitable for awning and casement windows
- <sup>3</sup> See website [lockweb.com.au](http://lockweb.com.au) for the exact window size allowance. Large or short windows may be restricted in terms of opening.
- <sup>4</sup> One Network adaptor is required to control your windows via a switch or Cbus system, refer to 3rd party connections for more information

# Elevation Electric Window Actuator



## Other Notes:

- Power supplies needs to be ordered separately. Calculate the power consumption of total products used and ensure you order the correct quantity and size power supplies
- All Window actuators are the same regardless if they connected to a touch screen keypad, standalone switch or connected as a synchronized unit.
- Rain sensors will only work when connected to touch screen display network
- If you require a window actuator that's connected to a standalone switch you will need one Network adaptor (EWAC-SNA) per switch
- If you require a window actuator that's connected to a Cbus system you will need one Network adaptor (EWAC-SNA) per relay output.
- You can connect a maximum of two keypads per network
- You can connect a maximum of four rain sensors per network

## Network Examples

Example 1	Example 2
<b>Product Type</b>	<b>Product Type</b>
30 x Actuators	30 x Actuators
1 x Keypad	2 x Keypads
1 x Rain Sensor	0 x Rain Sensor

Example 3	Example 4
<b>Product Type</b>	<b>Product Type</b>
26 x Actuators	29 x Actuators
2 x Keypads	2 x Keypads
4 x Rain Sensors	1 x Rain Sensor

## Devices

Product Type	Devices
Window Actuator	(1)
Window Actuator that's synchronized	(1)
Touch Screen Display	(1)
Rain Sensor	(1)

## Ordering Notes

A Network's capacity is 32 devices, each of the above counts as one device. When planning ensure you have 32 devices or less

## Ordering Information

Product Description	Part Number
Elevation SS Chain 300 BLK No Power Supply	LW-EWAC-300-BLK
Elevation SS Chain 300 WH No Power Supply	LW-EWAC-300-WH
Elevation SS Chain 300 SPEC No Power Supply	LW-EWAC-300-PPC
<b>Accessories</b>	
Elevation Sync Loom	EWAC-SSL
Elevation Network Adaptor	EWAC-SNA
Elevation Rainsensor + NA	EWAC-SRS
Elevation Touch Keypad 3.5"	LW-TSD-35-WHT
Elevation 1000 mA Power Supply	EWAC-SPS1000
Elevation 1500 mA Power Supply	EWAC-SPS1500
<b>Spare Parts</b>	
Control & Power Loom	EWAC-CPL
ACC Pack - Screws, Caps, and Limiter Plugs	EWAC-SCRP
Pivot Brackets White	EWAC-PVT-WH
Pivot Brackets Black	EWAC-PVT-BLK

# Elevation Touch Screen Display

## General Description

The Lockwood Elevation® touch screen display is an elegant Touch pad that's been designed to control up to 30 Elevation window actuators. The touch pad can be programmed to open individual or groups of windows. You also have the option to name your windows or groups from a predefined list suitable for commercial or residential applications.

Window positions can be controlled to: open, close, move to a 50% or a venting position. The status of your window positions can be viewed at a glance throughout your building. You also have the option to instantly close all windows at once when leaving the house, or locking up for the night. The Lockwood Touch Screen display allows you to easily decide which window or group you would like to: open, half open, close or vent.

The Touch Screen Display also gives you the ability to connect up to four rain sensors and can be controlled to automatically close in the event of rain. You also have the ability to set the window to reopen once the rain has stopped. The smart rain sensor also has the ability to differentiate between rain and dew with built in heating elements that dries moisture build up.

## Applications

- Commercial buildings
- Residential buildings

## Touch Screen Display Features

- 3.5" colour Touch Screen Display
- Control up to 30 windows
- 30 predefined window and group names
- 2 button touch, to control a window
- Live status of window position
- Instantly open or close all windows
- Pin code lockout option
- Synchronize an additional touch pad to the network
- Window obstruction status and warnings
- Control up to four rain sensors independently or grouped
- Easy installation with 4 wire control
- Emergency "close all" override from home button

## Cabling

Control Loom: 2m extend up to 300m  
(Twisted pair)  
Power Loom: 2m



## Current

Standby Current 20mA  
Operating Current 100mA

## Environment Operational temperature range

0° to +60°C

## Finishes

White face with Silver trim (WH)

## Humidity

90% @ 35°C

## Materials

Keypad housing: PVC.

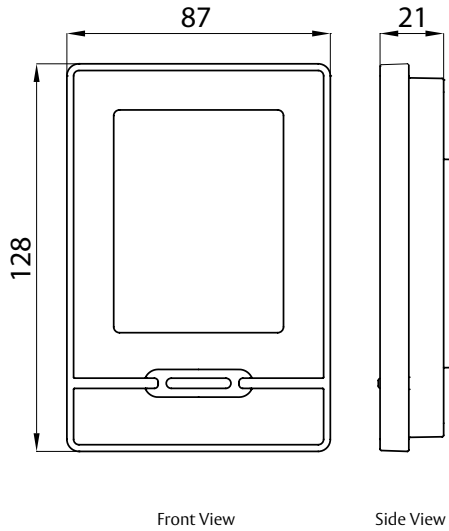
## Voltage

24-32 VDC

## Dimensions

mm 128H x 87W x 21D

# Elevation Touch Screen Display



## Ordering Information

Product Description	Part Number
Elevation Touch Keypad 3.5"	LW-TSD-35-WHT
<b>Accessories</b>	
Elevation Rainsensor + NA	EWAC-SRS

## Ordering Notes

A network's capacity is 32 devices, each of the above counts as one device. When planning ensure you have 32 devices or less

**Note:** EWAC-SPS1000 is required to power Keypad

# Elevation Rain Sensor

## General Description

The Lockwood Elevation® Rain Sensor has been specifically designed to work with the Elevation actuators and your touch screen display. Basic automatic “close all” function can be achieved or advanced functionality can be programmed.

## Functions

Rain Sensors will be triggered by rain and automatically close the windows. Rain sensors can also be configured to re-open to original position when the rain has stopped. Rain sensors can be even further configured so that if rain comes from one particular direction i.e. east location only, windows in the east will close and the rest will remain open. The rain sensor also has the ability to differentiate between rain and dew with built in heating elements that dry up moisture build up.

## Applications

- Automatically close windows in the event of rain
- Commercial Buildings
- Residential Buildings Rain Sensor Features
- Connect up to of four sensors per network
- Visual rainfall indicator on keypad
- Integrated heating elements to dry up dew or moisture
- Smart re-open function
- After rain has stopped “go to vent” function

## Materials

Furniture body: Durable Acetal UV Stable.  
Bracket: Stainless Steel 304

## Finish

White (WH)

## Voltage

24-32 VDC

## Current

Standby Current 50mA  
Operating Current 300mA

## Environment Operational temperature range

0° to +60°C

## Humidity

90% @ 35°C

## Cabling Loom

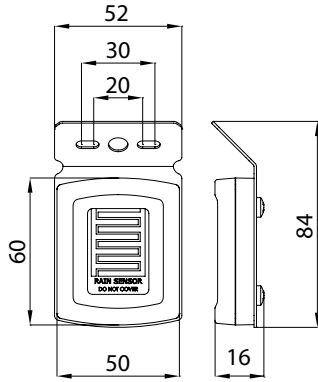
2m

## Dimensions

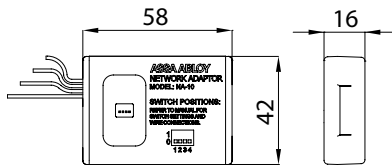
mm 60H x 50W x 16D



# Elevation Touch Screen Display



Rain Sensor



Network Adaptor

## Ordering Information

Product Description	Part Number
Elevation Rainsensor + Network Adaptor	EWAC-SRS

## Ordering Notes

A Network's capacity is 32 devices, each of the above counts as 1 device. When planning ensure you have 32 devices or less

**Note:** EWAC-SPS1000 is required to power Rain Sensor









ASSA ABLOY is the global leader in door opening solutions, dedicated to satisfying end-user needs for security, safety and convenience.

ASSA ABLOY is represented in all major regions, in both mature and emerging markets, with leading positions in Australia, Europe and North America.

As the world's leading lock group, ASSA ABLOY offers a more complete product range of door opening solutions than any other company on the market.

**ASSA ABLOY**  
Opening Solutions

**Head Office**

ASSA ABLOY Australia Pty Limited  
235 Huntingdale Road  
Oakleigh Victoria 3166  
Australia

+61 (3) 8574 3888  
exportem@assaabloyasiapacific.com  
assaabloyopeningsolutions.com.au

