

Electromechanical Door Solutions



We take the worry out of
protecting what's valuable to you.
Lockwood: *no worries*[®]



ASSA ABLOY

www.lockweb.com.au

Padde joins Lockwood

ASSA ABLOY has recently repositioned Padde by Lockwood into the Lockwood range with solus brand status. Padde is an Australian-based, niche range that has been supplying quality electromechanical door locking solutions since 1966. Whilst it was given the Lockwood hard endorsement in 2005, the move to new Lockwood branded packaging, part numbers and point of sale will allow Padde to further leverage Lockwood's brand equity allowing greater focus on marketing and R&D activities, whilst also bolstering and complementing the full Lockwood door hardware package across all market channels. The Padde product we know and love is not changing, simply becoming a full Lockwood branded offering.

Contents

Electric Strikes	4
Electromagnetic Locking	27
Electromechanical Bolts	45
Electric Mortice Locks	59



Electric Strikes

5YEAR

TRICARE
WARRANTY

PADDE SERIES

Electric Strikes Contents



CL-150S Cabinet Lock with Spring Release

Electric Strikes Range
page 6



EL110 Electric Cabinet Lock

Electric Strikes Range
page 8



ES110 Series Electric Strike

Electric Strikes Range
page 10



ES150 Series Surface Mounted Electric Strike

Electric Strikes Range
page 13



ES200 Series Non Monitored Electric Strike

Electric Strikes Range
page 15



ES2000 Series Monitored Electric Strike

Electric Strikes Range
page 17



ES2100 Series Door Monitored Electric Strike

Electric Strikes Range
page 19



ES2600 Series Panic Bar Electric Strike

Electric Strikes Range
page 22



ES3200 Series Monitored Electric Strike

Electric Strikes Range
page 24



ES9000 Series Pre-Load Strike

Electric Strikes Range
page 26

CL-150S Cabinet Lock with Spring Release



The Lockwood CL-150S electric Cabinet Lock is a compact, versatile and flexible locking solution for Lockers, Cupboards, Drawers and a variety of applications using swing or sliding doors and drawers.

The CL-150S also provides a spring release function negating the need for handles on smaller lockers and cabinets as it pops open the door on release. The Cabinet Lock also includes Lock State Monitoring and 12 or 24VDC operation.

With a Holding Force of 100kg, the CL-150S is the ideal electric locking solution for a host of applications and can be used in conjunction with most Access Control, Intercom, Keypad or Card Reader systems. For added flexibility in different applications and door or cabinet styles, the compact locking mechanism and body also allows for the Strike Plunger to engage into either the Edge or the Top of the Lock body.

The CL-150S is suitable for use with University and School staff or student lockers, Hospital, Aged Care and Clinic medicine cabinets and drawers, Office and Retail display cabinets, Filing Cabinets and drawers and Post boxes, just to name a few.

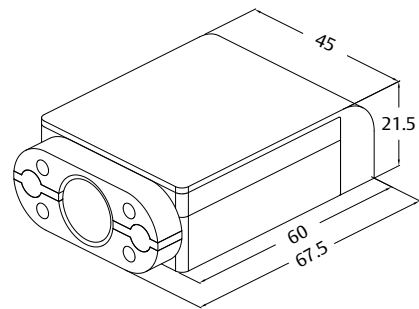
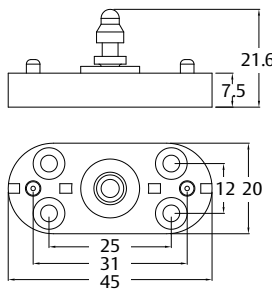
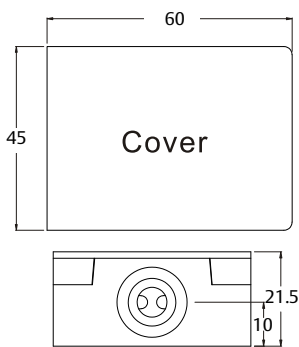
Key Features

- Spring Loaded Release
- Lock Status/Plunger position Monitoring with NO/NC Output
- 12 or 24VDC Operation
- 100kg Holding Force
- Top or Edge Strike Plunger engagement
- Fail Secure configuration

Product Details

Voltage	12 or 24VDC
Current Consumption	920mA at 12VDC 450mA at 24VDC
Holding Force	100kg
Minimum Door Width	25cm from hinge to lock
Fail Secure	(PTO) operation only

CL-150S Cabinet Lock with Spring Release



Unit : mm

Ordering Information

Part Number	Product Description
CL-150S	Lockwood CL-150S Cabinet Lock with Spring Release

Specification Statement

The electric Cabinet or Drawer lock shall be surface mounted and enable engagement of the Strike Plunger either into the edge or top of the lock body. The lock shall provide a Spring release function which pushes open the cabinet or locker door therefore negating the need for a door handle. The Lock shall provide Lock/Door Position Monitoring Output and a Holding Force of no less than 100kg.

EL110 Electric Cabinet Lock



The Lockwood Padde Series EL110 Electric Cabinet Lock is a compact, cast aluminium lock specially designed for cabinets having either swing or sliding doors. The Cabinet Lock can be surface mounted either vertically or horizontally and offers maximum flexibility for ease of installation.

EL110 can also be controlled by any existing access control system or simply controlled through a remote keypad or keyswitch. The EL110 is cost efficient, robust, easy to install and suitable for one or multiple cabinet applications.

Key Features

- Fail safe/fail secure changeable on site
- Flexible alignment: has a 5mm XY adjustment after installation
- Low current consumption: uses only 187mA @ 12Vdc
- Available in 12Vdc
- Self latching in fail secure mode
- Solenoid rated for continuous use
- 5 Year Tricare Warranty (Padde Series)



Applications

- Cabinet locking
- Swing or sliding cabinet doors

Product Details

Voltage	12Vdc
Current	187mA @ 12Vdc.
Solenoid	Solenoids are rated for continuous use
Monitoring	None
Strength	Holding force 150kg
Endurance	Cycle tested to 1,000,000 operations
Environment	Operational temperature range -20c to +60c
Body	Cast Aluminium Construction

Standards and Compliance

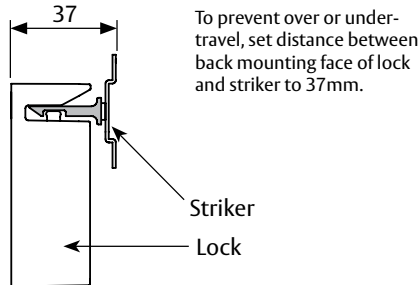
	CE Approved
	RCM Certified

EL110 Electric Cabinet Lock

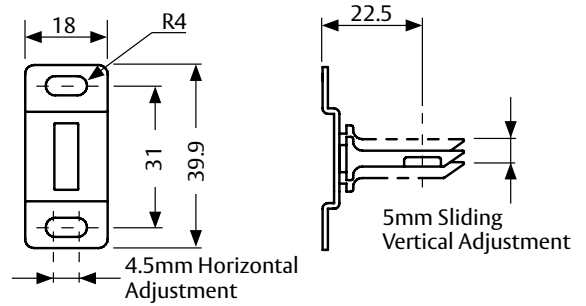
Front Engagement



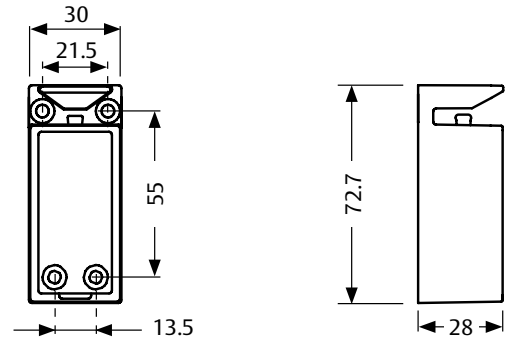
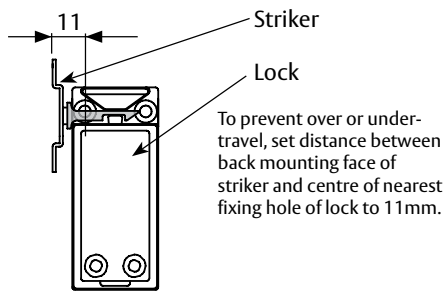
Exterior



Lock and Strike Dimensions



Side Engagement



Ordering Information

Part Number	Product Description
EL110-1	EL110 Cabinet Lock 12Vdc Fail Safe Non Monitored
EL110-2	EL110 Cabinet Lock 12Vdc Fail Secure Non Monitored

Specification Statement

The strike which is to be surface mounted and constructed of Cast Aluminium, should be self latching when used in fail secure mode. The lock must be capable of being changed from Fail Safe to Fail Secure on site. Lock alignment must be adjustable up to 5mm in both "x" and "y" directions both during and after installation. The lock should consume not greater than 187mA @12Vdc and have a solenoid rated for continuous use. Electrical certifications must include RCM mark.

ES110 Series Electric Strike



The Lockwood Padde Series ES110 is a cost efficient robust Electric Strike with a solid construction of one-piece Cast Aluminium body and Stainless Steel striker. Having a deeper than normal strike-keeper area, ES110 is designed to work with an extensive range of locks and offers the same level of security and reliability usually provided by more expensive electric locking solutions.

Extension lips are available to accommodate the installation of Electric Strikes on door frames with different thickness. The ES110 product range of patented Electric Strikes are suitable for use with all access control installations where flexibility, security and lower cost are required.

Key Features

- All models IP56 Weather resistant
- Fail safe/fail secure changeable on site
- Stainless steel striker for extra strength and durability
- Stainless steel locking pins
- Available in 12/24Vdc Multi Voltage
- Optional mounting kit
- Installation template
- Suitable For 18mm latch with a 3mm door gap
- 5 Year Tricare Warranty (Padde Series)





Applications

- Exposed areas
- High traffic areas
- Open in/open out doors
- Suitable for use with all access control systems

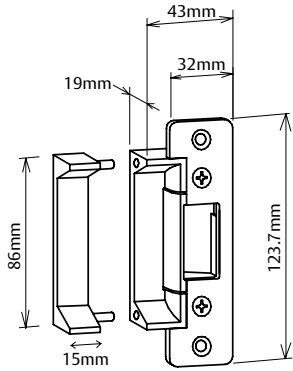
Product Details

Voltage	12/24Vdc
Current	243 mA @ 12Vdc - 187mA @ 24Vdc
Solenoid	Solenoids are rated for continuous use
Monitoring	None
Holding Force	680 kg Static Strength Rating
Endurance	Cycle tested to 1,000,000 operations
Environment	Operational temperature range - 20°C to + 60°C Weather resistant construction Standard (IP56)
Body	Cast Aluminium Construction
Keeper	Stainless Steel
Latch	Suitable for 15mm latchbolt with 3mm door gap

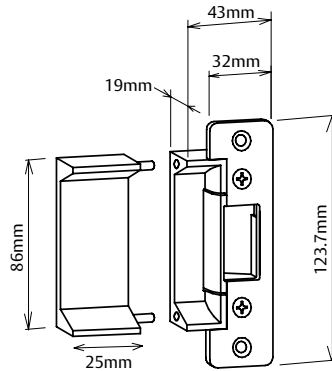
Standards and Compliance

	Successfully fire rated up to 4hrs on fire door assemblies in accordance with AS1905.1.2005 (Part 1: Fire resistant door sets)
	Approved to UL1034 (highest level)
	CE Approved
	RCM Certified
	Weather Resistant (IP56)

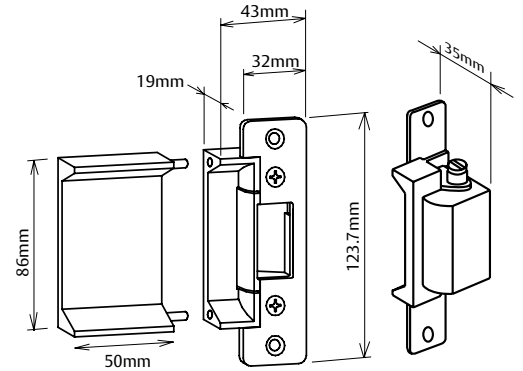
ES110 Series Electric Strike



ES110 with 15mm ext lip
- "A" Plate



ES110 with 25mm ext lip
- "A" Plate



ES110 with 50mm ext lip
- "A" Plate

Ordering Information

Part Number	Product Description
ES110-1M	ES110 12/24Vdc Fail Safe Non-Monitored
ES110-2M	ES110 12/24Vdc Fail Secure Non-Monitored

Note: All Strikes come pre drilled with Extension Lip holes.

Accessories Ordering Information

Part Number	Product Description
220110-502	15mm Extension Lip (26mm total)
220110-503	25mm Extension Lip (36mm total)
220110-504	50mm Extension Lip (61mm total)
220200-518	Mounting Kit

Note: For additional Faceplate options see over page.

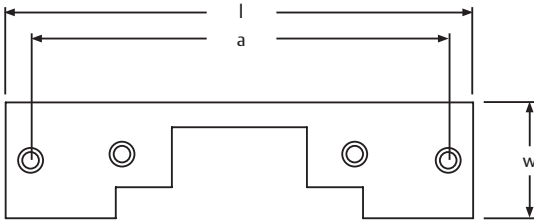
Specification Statement

Where Power to Lock and Power to Open functions may be required in the same building, the Strike must be interchangeable from either "Power to Lock" or "Power to Open" on site.

The Electric Strike should not consume current greater than 243mA @ 12Vdc or 187mA @ 24Vdc and have a solenoid suitable for continuous use. Certifications must include RCM and 4hr fire rating.

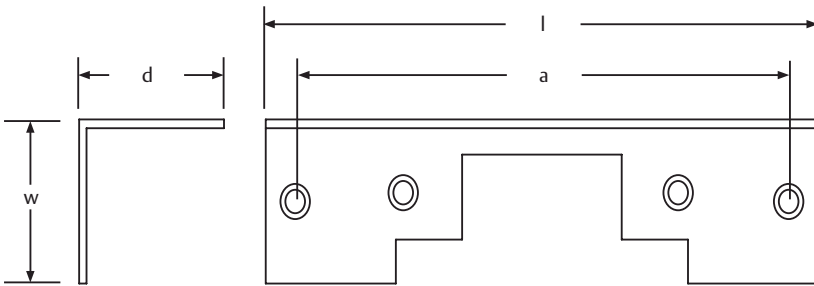
The Strike should have a minimum holding force of 680kg, and an endurance rating of 1 million cycles.

ES110 Series Electric Strike



Faceplates

Faceplate Style	l	w	a	Part Number
A (ANSI Short)	123.7	31.7	104.8	210100-544
B (ANSI Long)	201.6	36.3	185.7	210100-530



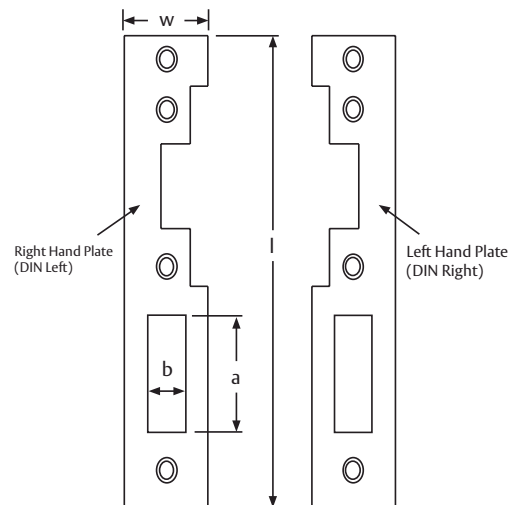
Faceplates

Faceplate Style	l	w	d	a	Part Number
J	201.6	32	16	185.7	210100-523

Faceplates

Faceplate Style	l	w	a	b	Part Number
F (UK Sash RH) [DIN Right]	251	25	74	12	210100-528
G (UK Sash LH) [DIN Right]	251	25	74	47	210100-527
L (Short Sash RH) [DIN Right]	182	32	36.5	14.7	210100-534

Note: All Faceplates are sold separately



ES150 Series Surface Mounted Electric Strike



The Lockwood Padde Series ES150 is a Surface Mounted Electric Strike suitable for use with rim or surface type dead latches. This Strike is easy to install and can be simply controlled by a keypad, keyswitch or integrated into any access control system.

ES150 offers high levels of security and features usually provided by more expensive electric locking solutions. The Electric Strike can be easily installed on steel and wooden door frames. A weather resistant version is also available for exterior applications.

Key Features

- Configure to Fail Safe or Fail Secure
- Easy installation suitable for steel and wooden door frames
- Stainless steel striker for extra strength and durability
- Available in 12/24Vdc
- Solenoid rated for continuous use
- IP56 weather resistant version available
- 5 Year Tricare Warranty (Padde Series)



Applications

- Surface or rim mounted applications
- Suitable for use with all access control systems
- Exposed areas

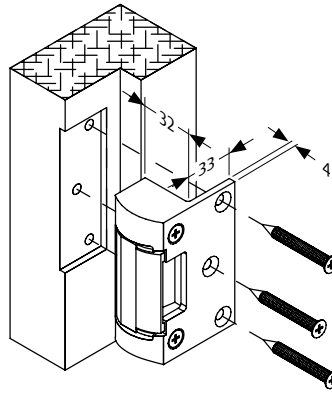
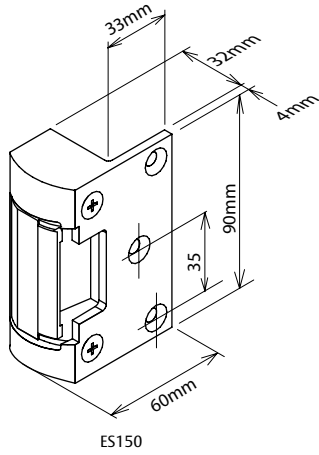
Product Details

Voltage	12 or 24Vdc
Current	243 mA @ 12Vdc - 187mA @ 24Vdc
Solenoid	Solenoids rated for continuous use
Monitoring	None
Holding Force	680 kg Static Strength Rating
Endurance	Cycle tested to 1,000,000 operations
Environment	Operational temperature range - 20°C to + 60°C Weather resistant construction Standard (IP56)
Body	Solid Stainless Steel Construction
Keeper	Stainless Steel
Latch	Suitable for 15mm latchbolt with 3mm door gap

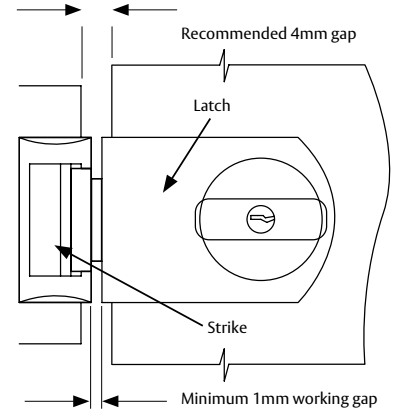
Standards and Compliance

	CE Approved
	RCM Certified
	IP56 Rated

ES150 Series Surface Mounted Electric Strike



Ensure 1mm Working Gap without Mechanical Interference



Ordering Information

Part Number	Product Description
ES150	12/24Vdc Fail Safe Non-Monitored

Note: Change from Fail Safe (PTL) to Fail Secure (PTO) as required

Specification Statement

The Electric Strike must be suitable for surface mounted applications for use with rim or surface mounted door locks.

Where Power To Lock and Power To Open functions may be required in the same building, an individual strike is interchangeable from either "Power to Lock" or "Power to Open" on site.

The Electric Strike should not consume current greater than 243mA @ 12Vdc or 187mA @ 24Vdc. Certifications must include RCM.

The Strike should be tested to 1 million operations and have a minimum holding force not less than 680kg.

ES200 Non Monitored Series Electric Strike



The Lockwood Padde Series ES200 Series Electric Strikes are high security products manufactured from Stainless Steel and designed for use with all access control systems. The Strikes are suitable for use with hinged doors which require either fire or security control as part of a building management system.

These Strikes are flexible and can be changed from Fail Safe to Fail Secure, mounted on the left or right hand side of the door and are available in 12 or 24Vdc.

They offer a strong, dependable and long lasting Electric Strike solution.

Key Features

- Fail safe/fail secure changeable on site
- High security
- 4 Hour fire rating
- 850kg holding force
- 1 million cycles endurance rating
- Cast stainless steel body
- Stainless steel locking pins
- Low Current consumption - Max 175mA @12Vdc
- Mounting kit supplied as standard
- 5 Year Tricare Warranty (Padde Series)





Applications

- High traffic areas
- Fire rated door sets
- Open in/open out doors
- Suitable for use with all access control systems

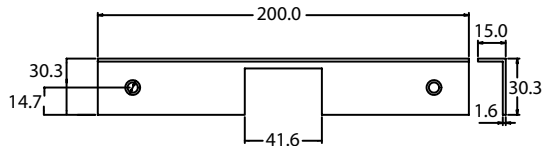
Product Details

Voltage	12 or 24Vdc
Current	175 mA @ 12Vdc - 88mA @ 24Vdc
Solenoids	Solenoids are rated for continuous use
Monitoring	None
Holding Force	850kg Static Strength Rating
Endurance	Cycle tested to 1,000,000 operations
Latch	Suitable for 15mm latch bolt with 3mm door gap
Environment	Operational temperature range -20°C to +60°C
Body	Solid Stainless Steel Construction
Keeper	Stainless Steel

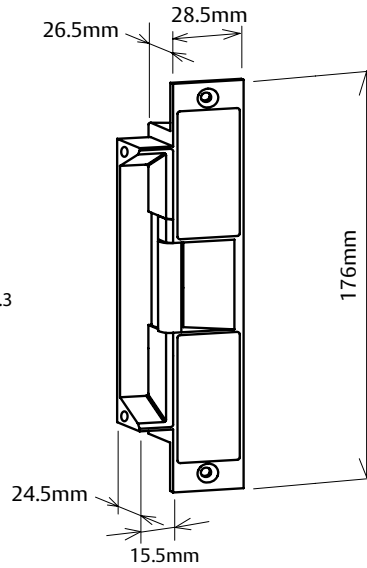
Standards and Compliance

S3	High security for maximum protection (AS4145.2:1993)
D3	High durability for maximum frequency usage
	Successfully fire rated up to 4hrs on fire door assemblies in accordance with AS1905.1. 2005 (Part 1: Fire resistant door sets)
	Approved to UL1034 (highest level)
	CE Approved
	RCM Certified

ES200 Non Monitored Series Electric Strike



13mm Rebate Kit



ES200 Electric Strike

Ordering Information

Part Number	Product Description
ES200-1	ES200 E/Strike 12Vdc Fail Safe Non Monitored
ES200-2	ES200 E/Strike 12Vdc Fail Secure Non Monitored
ES200-3	ES200 E/Strike 24Vdc Fail Safe Non Monitored

Note: Change from Fail Safe (PTL) to Fail Secure (PTO) as required

Accessories Ordering Information

Part Number	Product Description
210100-541	13mm Rebate Plate
220200-519	Mounting Kit

Note: If Extension Lips are required, use ES2100 Electric Strike (Page 13)

Specification Statement

The Strike should be constructed of Stainless Steel, have a minimum holding force of 850kg and have an endurance rating of 1 million cycles. The strike must be changeable from Fail Safe to Fail Secure on site where required. The Strike should not consume current greater than 175mA at 12Vdc and have a solenoid rated for continuous use. Certifications must include RCM and 4 hr fire rating.

ES2000 Series Monitored Electric Strike



The Lockwood Padde Series ES2000 Series Electric Strikes are fully monitored high security products manufactured from Stainless Steel and designed for use with all access control systems. The Strikes are suitable for use with hinged doors which require either fire or security control as part of a building management system.

These Strikes are flexible and can be changed from Fail Safe to Fail Secure, mounted on the left or right hand side of the door and are available in 12Vdc.

They offer a strong, dependable and long-lasting Electric Strike solution with a 850kg holding force and endurance rating of 1 million cycles.

Key Features

- Fully monitored – strike locked and door latched
- Fail safe/fail secure changeable on site
- High security
- 4 Hour fire rating
- 850kg holding force
- 1 million cycles endurance rating
- Cast stainless steel body
- Stainless steel locking pins
- SCEC Endorsed
- Low Current consumption - Max 175ma @12Vdc
- Solenoid rated for continuous use
- Mounting kit supplied as standard
- 5 Year Tricare Warranty (Padde Series)





Applications

- High traffic areas
- Fire rated door sets
- Open in/open out doors
- Suitable for use with all access control systems

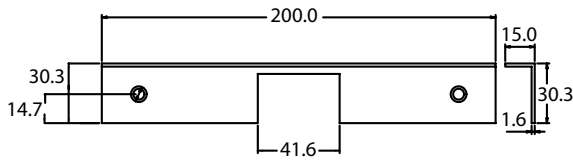
Product Details

Voltage	12Vdc
Current	175 mA @ 12Vdc
Solenoids	Solenoids are rated for continuous use
Monitoring	Solenoid Monitor - 1 amp NO/NC microswitch Door/Latch Monitor - 1 amp NO/NC microswitch
Holding Force	850kg Static Strength Rating
Endurance	Cycle tested to 1,000,000 operations
Latch	Suitable for 15mm latch bolt with 3mm door gap
Environment	Operational temperature range -20°C to +60°C
Body	Solid Stainless Steel Construction
Keeper	Stainless Steel

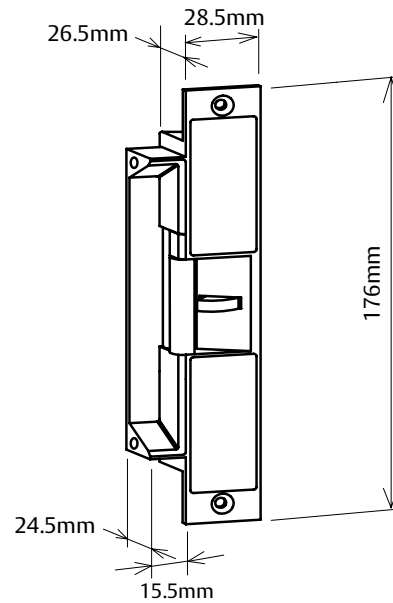
Standards and Compliance

S3	(Security) Australian Lock Standard (AS4145.2:1993).
D3	(Durability) Australian Lock Standard (AS4145.2:1993)
	Successfully fire rated up to 4hrs on fire door assemblies in accordance with AS1905.1. 2005 (Part 1: Fire resistant door sets)
	Approved to UL1034 (highest level)
	CE Approved
	RCM Certified

ES2000 Series Monitored Electric Strike



13mm Rebate Kit



ES2000 Electric Strike

Ordering Information

Part Number	Product Description
ES2000-1	ES2000 E/Strike 12Vdc Fail Safe Monitored
ES2000-2	ES2000 E/Strike 12Vdc Fail Secure Monitored

Note: If 24vdc version is required use ES2100 Electric Strike

Accessories Ordering Information

Part Number	Product Description
210100-541	13mm Rebate Plate
220200-519	Mounting Kit

Note: If Extension Lips are required, use ES2100 Electric Strike (Page 13)

Specification Statement

The Strike should be constructed of Stainless Steel, have a minimum holding force of 850kg and have an endurance rating of 1 million cycles. Monitoring must include independent door / latch & solenoid monitoring. The one strike must be changeable from Fail Safe to Fail Secure on site where required. The strike should not consume current greater than 175mA at 12Vdc and have a solenoid rated for continuous use. Certifications must include CE, C-Tick and 4 hr fire rating.

ES2100 Series Monitored Electric Strike



The Lockwood Padde Series ES2100 is the latest product to join the iconic Lockwood range of Electric Strikes. Tested in accordance with Australian Standards this Strike offers superior strength, and is durability tested to 1.5 million operations.

Standard features include variable voltage, patented field selectable Fail Safe/Fail Secure mode change and a unique integrated door position switch.

Integrated Door Position Switch

The ES2100 now offers a unique new monitoring feature not available in other Strikes on the market today. The Strike has an integrated reed switch that when combined with a specialised Lockwood Mortice Lock, provides door position monitoring. The Strike is supplied with a standard door magnet for use with cylindrical latches. Lockwood Mortice Locks and Faceplate accessories are sold separately.

Key Features

- Patented field selectable Fail Safe/Fail Secure
- Multi voltage 10–30Vdc
- Fully monitored:
 - Integrated door position (reed) switch
 - Solenoid/Locked
 - Latch position
- 1000kg holding force
- 4hr fire rating
- Mounting tabs as supplied standard
- 5 Year Tricare Warranty (Padde Series)
- Weather Resistant (IP54)
- Built-in Protection Diode

Applications

- High traffic areas
- Fire rated door sets
- Open in/open out doors
- Suitable for use with all access control systems
- Doors requiring additional door position monitoring

Product Details

Voltage	Variable 10–30Vdc
Current	200mA @ 12Vdc - 120mA @ 24Vdc
Solenoids	Rated for continuous use
Monitoring	Latch Strike locked Door position (reed switch)
Holding Force	1000kg static strength rating
Endurance	Cycle tested to 1.5 million operations
Latch	Suitable for 15mm latch bolt with 3mm door gap
Environment	Operational temperature range -20°C to +60°C
Body and Keeper	Stainless Steel

Standards and Compliance

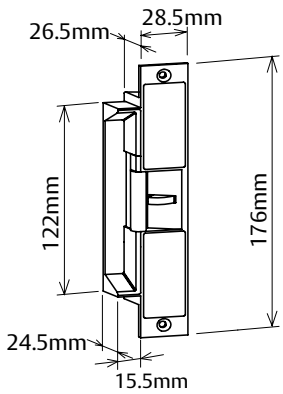
SL8	(Security) Australian Lock Standard (AS4145.2.2008)
D8	(Durability) Australian Lock Standard (AS4145.2.2008)
	Successfully fire rated up to 4hrs on fire door assemblies in accordance with AS1905.1.2005
	CE Approved
	RCM Certified

SCEC Endorsed for SL3 Medium Threat Level Areas

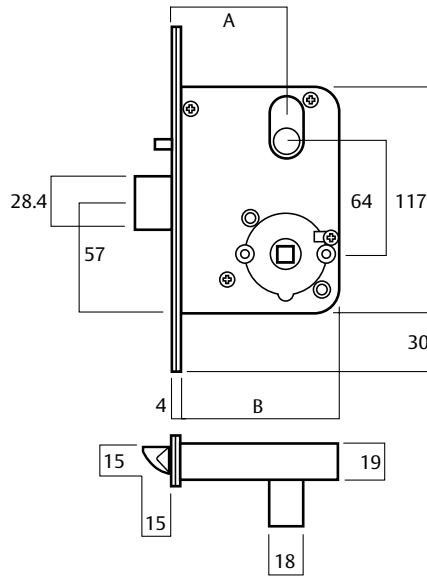
ES2100 Series Monitored Electric Strike



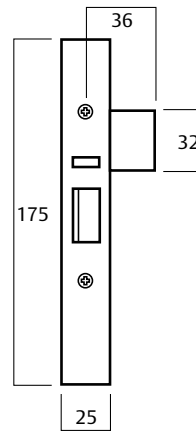
Integrated magnets align with integrated reed switch.



ES2100 Electric Strike



3570 Series Mortice Lock



Magnet Faceplate



	STD Backset	Extended Backset
Dimension A	60	127
Dimension B	84	151

ES2100 Series Monitored Electric Strike

Ordering Information

Part Number	Product Description
ES2100	ES2100 E/Strike 12-30Vdc M/Function Door Monitored
ES2100-010	ES2100 E/Strike 12-30Vdc M/Function Door Monitored No Lip
ES2100-020	ES2100 E/Strike 12-30Vdc M/Function Door Monitored 8mm Lip

Ordering Notes:

When using integrated door position switch monitoring:

- Electric Strikes are supplied with door magnet for cylindrical locksets only.
- Lockwood Mortice Locks and Faceplates are sold separately.
- All Strikes are factory set to Fail Safe (PTL) configuration. Configuration to Fail Secure (PTO) is easily set on site.
- All Strikes come pre drilled with Extension Lip holes

Specification Statement

The Strike should be constructed of Stainless Steel, have a minimum holding force of 1000kg and an endurance rating of 1.5 million cycles. Monitoring must include independent latch and solenoid monitoring. The Strike shall have an integrated reed switch for door position monitoring and used in conjunction with Lockwood Faceplate. Certifications must include CE, RCM and 4 hr fire rating.

Accessories Ordering Information

Part Number	Product Description
3772AF-2100SS	ES2100 Magnet Faceplate – suits 3770 series mortice locks – Aluminium Door
3772-2100SS	ES2100 Magnet Faceplate – suits 3770 series mortice locks – Timber Door
SP3570-2100SSS	ES2100 Magnet Faceplate – suits 3570 series mortice locks – Timber Door
3782-2100SS	ES2100 Magnet Faceplate – suits 3782 series mortice locks – Aluminium Door
3782TF-2100SS	ES2100 Magnet Faceplate – suits 3782 series mortice locks – Timber Door
220200-519	Mounting Kit
210100-541	13mm Rebate Plate
220200-505	25mm Extension Lip (40.5mm total)
220200-506	50mm Extension Lip (65.5mm total)
220200-507	75mm Extension Lip (90.5mm total)

ES2600 Series Panic Bar Monitored Electric Strike



The Lockwood Padde Series ES2600 Series Surface Mounted Electric Strikes are high security products manufactured from Stainless Steel and designed to be used with existing and new Panic Bars fitted to emergency doors.

When used in conjunction with a standard access control system, these Strikes convert “Exit only” doors with “Pullman type” latches into a full access controlled door, thereby allowing authorised access from the secure side.

The ES2600 series are fully monitored with both solenoid and latch/door monitoring functions and can be changed from Fail Safe to Fail Secure on site.

Key Features

- Fail Safe/Fail Secure changeable on site
- High security
- Available in 12 or 24Vdc
- 650kg holding force
- 1 million cycles endurance rating
- Body depth only 27mm
- Cast stainless steel body
- Low current consumption - max 175Ma @ 12Vdc
- Continuously rated solenoid
- Installation template
- 5 Year Tricare Warranty (Padde Series)




Applications

- For use with Panic Bars
- Surface mount
- Egress doors
- Fire rated door sets
- Open out door sets
- Suitable for use with all access control systems

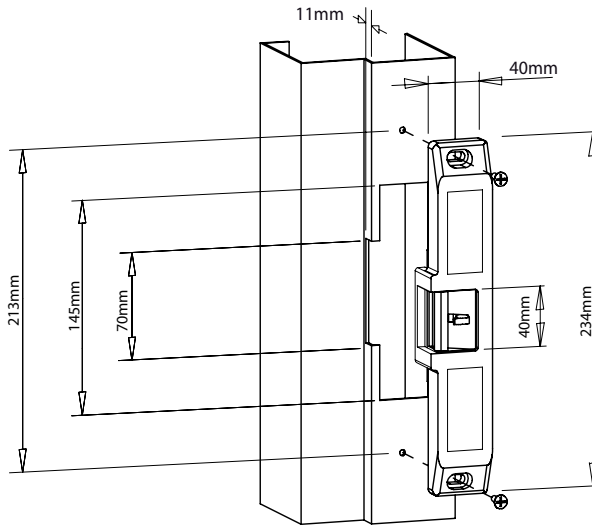
Product Details

Voltage	12 or 24Vdc
Current	175mA @ 12Vdc - 88mA @ 24Vdc
Solenoids	Solenoids rated for continuous use.
Monitoring	Solenoid Monitor - 1 amp NO/NC microswitch Door / Latch Monitor - 1 amp NO/NC microswitch
Holding Force	650kg Static Strength Rating
Endurance	Cycle tested to 1,000,000 operations
Additional	Anti friction roller (patented) Suits panic bars with 15 to 20mm Pullman latch projection
Environment	Operational temperature range -20°C to +60°C
Body	Solid Stainless Steel Construction
Keeper	Stainless Steel
Latch	Suitable for 15-20mm pullman latch

Standards and Compliance

	Approved to UL1034 (highest level)
	CE Approved
	RCM Certified

ES2600 Series Panic Bar Monitored Electric Strike



ES2600

Ordering Information

Part Number	Product Description
ES2600-1	ES2600 Panic Bar E/Strike 12Vdc Fail Safe Monitored
ES2600-3	ES2600 Panic Bar E/Strike 24Vdc Fail Safe Monitored

Specification Statement

The Strike should be constructed of Stainless Steel, have a minimum holding force of 650kg and have an endurance rating of 1 million cycles. Maximum penetration into the door frame should not exceed 12mm. The one strike must be changeable from Fail Safe to Fail Secure onsite where required. The Strike should not consume current greater than 175mA at 12Vdc and have a solenoid rated for continuous use. Certifications must include RCM.

ES3200 Series Monitored Electric Strike



The Lockwood Padde Series ES3200 Series Electric Strikes are designed for high security applications and manufactured from solid Stainless Steel.

These long ANSI Strikes offer a strong dependable and long-lasting Electric Strike solution and are suitable for use with any access control system.

These Strikes are extremely flexible and can be changed from Fail Safe to Fail Secure and mounted on the left or right hand side of the door, thus reducing the amount of variants needed to cover each application.

Key Features

- Fail Safe/Fail Secure changeable on site
- Available in 12Vdc
- 850kg holding force
- 1 million cycles endurance rating
- Stainless Steel locking pins
- Continuously rated solenoid
- 5 Year Tricare Warranty (Padde Series)





Applications

- Timber or metal doors
- Open in/open out doors
- Suitable for use with all access control systems

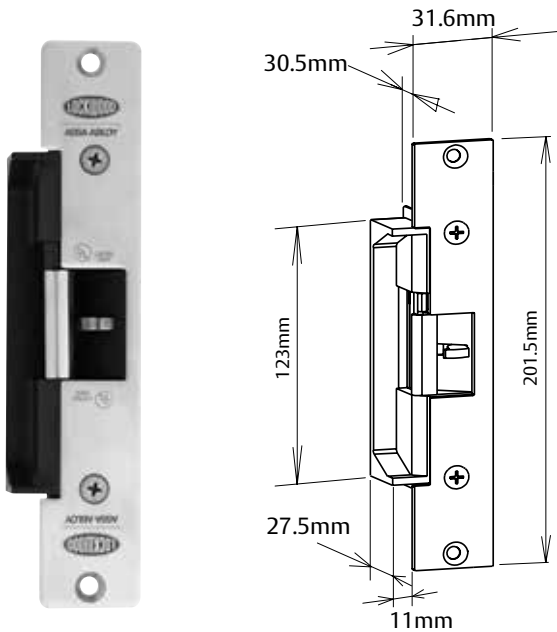
Product Details

Voltage	12Vdc
Current	175mA @ 12Vdc
Solenoids	Solenoids rated for continuous use
Monitoring	Solenoid Monitor - 1 amp NO/NC microswitch Door / Latch - 1 amp NO/NC microswitch
Holding Force	850kg Static Strength Rating
Endurance	Cycle tested to 1,000,000 operations
Environment	Operational temperature range -20°C to +60°C
Body	Solid Stainless Steel Construction
Keeper	Stainless Steel
Latch	Suitable for 18mm latchbolt with 3mm door gap

Standards and Compliance

	Approved to UL1034 (highest level)
	CE Approved
	RCM Certified
	Anti-Corrosion

ES3200 Series Monitored Electric Strike



ES3200 Harcor Face Plate Wide Extension Lip

Ordering Information

Part Number	Product Description
ES3200-1	ES3200 E/Strike 12Vdc Fail Safe Non Monitored

Specification Statement

The Strike should be constructed of Stainless Steel, have a minimum holding force of 850kg and have an endurance rating of 1 million cycles. Monitoring must include independent door / latch & solenoid monitoring. The one strike must be changeable from Fail Safe to Fail Secure onsite where required. The Strike should not consume current greater than 175mA @ 12Vdc and have a solenoid rated for continuous use. Certifications must include RCM.

ES9000 Series Pre-Load Strike



The Lockwood Padde Series ES9000 has been designed to suit the harshest commercial environments, and has the unique feature of the ability to operate with up to 25kg of pre-load pressure on the keeper. Pre-load is a common condition that is caused by pulling on a door before it unlocks, the weight of warped or drooping doors, seals on fire doors or by differential air pressure created when heating and cooling systems are in use.

Standard features include multi voltage 10 - 30Vdc and field changeable settings from Fail Safe to Fail Secure.

Built to last, this is a premium locking solution that has been tested in excess of 2 million cycles and boasts unique features like no other available on the market today.

Key Features

- Operates under pre-load up to 25kg
- Easy field selectable fail safe/fail secure
- Multi voltage 10-30Vdc
- 1300kg holding force
- 2.5 million cycles endurance rating
- Latch keeper is significantly quieter in operation
- Weather resistant
- Mounting tabs as standard
- Non handed
- 5 Year Tricare Warranty (Padde Series)
- Weather Resistant (IP54)
- Built in Protection Diode




Applications

- High traffic areas
- Doors subjected to side load (pre load)
- Fire rated door sets
- Open in/open out doors
- Suitable for use with all access control systems

Product Details

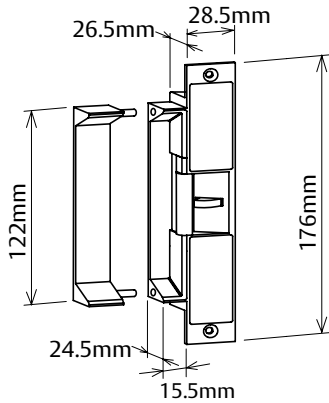
Voltage	10 or 30Vdc
Current	250mA @ 12Vdc - 130mA @24Vdc
Solenoids	Solenoids rated for continuous use
Monitoring	Solenoid Monitor - 1 amp NO/NC microswitch Door / Latch - 1 amp NO/NC microswitch
Holding Force	1300kg Static Strength Rating
Endurance	1,200,000 cycles endurance rating @ 25kg pre-load 2,500,00 cycles general durability without pre-load conditions
Latching	Suitable for 15mm latch with 3mm door gap
Environment	Operational temperature range - 20C to +60C
Body	Solid Stainless Steel Construction
Keeper	Stainless Steel

Standards and Compliance

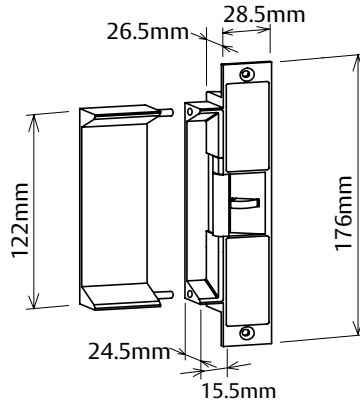
S3	(Security) Australian Lock Standard (AS4145.2.1993)
D3	(Durability) Australian Lock Standard (AS4145.2.1993)
	Successfully fire rated up to 4hrs on fire door assemblies in accordance with AS1905.1. 2005 (Part 1: Fire resistant door sets)
	CE Approved
	RCM Certified

SCEC Endorsed for SL3 Medium Threat Level Areas

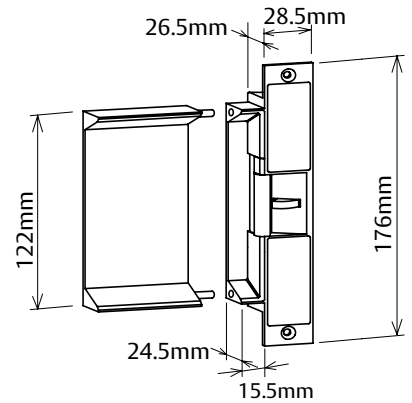
ES9000 Series Pre-Load Strike



ES9000 with 25mm Extension Lip



ES9000 with 50mm Extension Lip



ES9000 with 75mm Extension Lip

Ordering Information

Part Number	Product Description
ES9000	ES9000 E/Strike 12-30Vdc M/Function Preload Monitored
ES9000-010	ES9000 E/Strike 12-30Vdc M/Function Preload Monitored No Lip
ES9000-020	ES9000 E/Strike 12-30Vdc M/Function Preload Monitored 8mm Lip
ES9000-060	ES9000 E/Strike 12-30Vdc M/Function Preload Monitored Lip Holes

Accessories Ordering Information

Part Number	Product Description
210100-541	13mm Rebate Plate
220200-505	25mm Extension Lip (40.5mm total)
220200-506	50mm Extension Lip (65.5mm total)
220200-507	75mm Extension Lip (90.5mm total)
220200-519	Mounting Kit

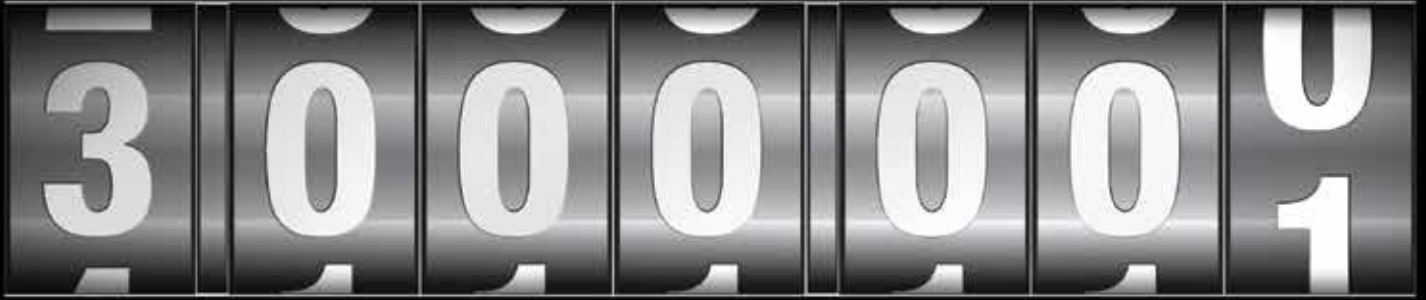
Note: All ES9000 Series Electric Strikes are supplied in Fail Safe configuration.

Specification Statement

The Electric Strike should be fully monitored and have independent door / latch and solenoid monitor switches. Holding force for the Strike should be not less than 1300kg.

Where Power to Lock and Power to Open functions may be required in the same building, a single Electric Strike should be interchangeable from either Fail Safe or Fail Secure from the rear of the Strike.

The Electric Strike should not consume current greater than 250mA @ 12Vdc and have a solenoid rated for continuous use. A fire rating not less than 4 hours is required where applicable. The Strike must be capable of operating with up to 25kg of pre-load pressure applied to the keeper, be tested to 2.5 million operations and carry a minimum warranty of 5 years.



Tested to 3 million cycles... and counting

The ES9000 is approved by the Security Construction and Equipment Committee (SCEC) for Access Control in Secure Areas (Security Level 3).

- Operates under Pre-load up to 25 kg
- Easy field selectable Fail Safe / Fail Secure
- Multi voltage 10- 30 Vdc
- Designed and manufactured in Australia





Electromagnetic Locking

5YEAR

TRICARE
WARRANTY

PADDE SERIES

Electromagnetic Locking Contents



Z4 and Z8 Single Series Non Monitored

Electromagnetic Lock
page 29



Z4 and Z8 Single Series Monitored

Electromagnetic Lock
page 31



Z4 and Z8 Double Series Non Monitored

Electromagnetic Lock
page 33



Z4 and Z8 Double Series Monitored

Electromagnetic Lock
page 35



Z4 Recessed

Electromagnetic Lock
page 37



Weather Resistant

Electromagnetic Lock
page 39



Electromagnetic Lock

Accessories
page 41



Wall and Floor Mounted

Hold-Open Magnet
page 42

Z4 and Z8 Single Series Non Monitored



The Lockwood Padde Series Single Series Electromagnetic Locks operate with holding forces from 250kg up to 580kg. Covering a range of applications the Z4 and Z8 Electromagnets are ideal for applications from cupboard doors through to high use commercial swing doors.

With fixing options including wood, aluminium and steel constructions as well as glass door applications, the range caters to most electromagnetic needs.

Key Features

- Fail-Safe: unlocks when power is removed
- Easy installation: suitable for both new and retrofit usage
- High holding force: refer to the technical data overleaf
- Self-alignment: armature plate pivots to accommodate door drop
- Silent operation: no humming or buzzing
- Dual voltage: site selectable 12 or 24 Vdc
- Instantaneous release: smart electronics on the Z Series Electromagnets eliminate residual magnetism
- 5 Year Tricare Warranty (Padde Series)

Applications

- Aluminium doors
- Glass doors
- IT storage rooms
- Access control
- Surface mount for inward and outward swinging doors

Product Details

	Z4 Magnet	Z8 Magnet
Holding Force	250kg-280kg	550kg-580kg
Dimensions	(L)238 x (H)48 x (D) 27 mm	(L)266 x (H)72 x (D) 40 mm
Voltage	12Vdc/ 24Vdc ±10%	12Vdc/ 24Vdc ±10%
Current	280mA @ (12Vdc) 140mA @ (24Vdc)	280mA @ (12Vdc) 140mA @ (24Vdc)
Monitoring	None	None
Operating Temperature	-25 to 55 Degrees	-25 to 55 Degrees
Operating Humidity	0-95%	0-95%

Standards and Compliance



Successfully fire rated up to 4 hours on fire door assemblies in accordance with AS1905.1.2005 (Part 1: Fire Resistant Doorsets)



CE Approved

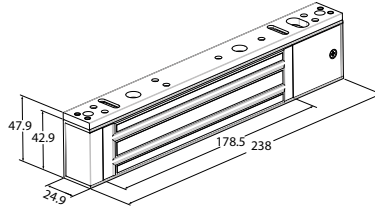


RCM Certified

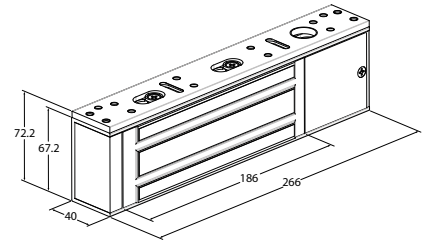
Z4 and Z8 Single Series Non Monitored



Z4 Electromagnetic Lock - Non Monitored



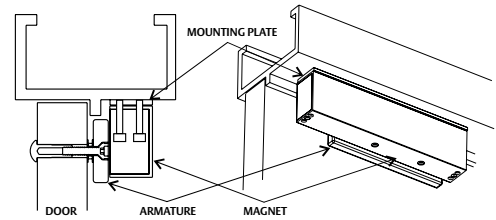
Z4 Electromagnetic Lock



Z8 Electromagnetic Lock



Z8 Electromagnetic Lock - Non Monitored



Typical Install for Z4 & Z8 out swinging doors.

Ordering Information

Part Number	Product Description
EMZ4-SN	EMZ4 E/Magnet 12/24Vdc Single Non Monitored
EMZ8-SN	EMZ8 E/Magnet 12/24Vdc Single Non Monitored
Accessories	
EMZ4B-SLZ	EMZ4 Bracket Single L & Z
EMZ4B-GU	EMZ4 Bracket Glass U 12Mm Glass
EMZ4B-GA	EMZ4 Bracket Glass Armature
EMZ4B-AN	EMZ4 Bracket Armature Non Monitored
EMZ4B-SMP	EMZ4 Bracket Single Mounting Plate
EMZ4SP-SC	EMZ4 Spare Part Screw Kit
EMZ8B-SLZ	EMZ8 Bracket Single L & Z
EMZ8B-GU	EMZ8 Bracket Glass U 12Mm Glass
EMZ8B-GA	EMZ8 Bracket Glass Armature
EMZ8B-AN	EMZ8 Bracket Armature Non Monitored
EMZ8B-SMP	EMZ8 Bracket Single Mounting Plate
EMZ8SP-SC	EMZ8 Spare Part Screw Kit

Specification Statement

The Single Series Electromagnetic Lock should be constructed in an aluminium case with heavy duty electromagnet. The range only operates in Fail Safe mode and relies on a secondary lock or battery backup system. In some cases the Magnet Armature Plate pivots to accommodate door drop. The lock needs to be equipped with "smart electronics" that have zero residual magnetism (instantaneous release). This is crucial for correct operation.

Z4 and Z8 Single Series Monitored



The Lockwood Padde Series Single Series Monitored Electromagnetic Locks, operate with holding forces from 250kg up to 580kg. These can also be used for doors that need to be monitored in terms of door position and if the door is locked.

Covering a range of applications the Z4 and Z8 Electromagnets are ideal for applications from cupboard doors through to high use commercial swing doors.

With fixing options including wood, aluminium and steel constructions, as well as glass door applications, the range caters to most electromagnetic needs.

Key Features

- Fail-Safe: unlocks when power is removed
- Easy installation: suitable for both new and retrofit usage
- High holding force: refer to the technical data overleaf
- Self-alignment: armature plate pivots to accommodate door drop
- Silent operation: no humming or buzzing
- Dual voltage: site selectable 12 or 24 Vdc

- Monitoring: reed switch monitoring on all models, hall-effect monitoring on Z4 and Z8 models
- Instantaneous release: smart electronics on the Z Series Electromagnets eliminate residual magnetism
- 5 Year Tricare Warranty (Padde Series)

Monitoring

Hall / Bond Monitoring

This indicates that the lock is powered and that the armature plate is in position and magnetically bonded (it monitors if the magnet is locked)




Reed Switch Monitoring

An integrated reed switch monitors the door position separately (it monitors the position of the door)

Applications

- Aluminium doors
- Glass doors
- IT storage rooms
- Access control
- Surface mount for inswing and outswing doors

Product Details		
	Z4 Magnet	Z8 Magnet
Holding Force	250kg-280kg	550kg-580kg
Dimensions	(L)238 x (H)48 x (D) 27 mm	(L)266 x (H)72 x (D) 40 mm
Voltage	12Vdc/ 24Vdc ±10%	12Vdc/ 24Vdc ±10%
Current	450mA @ (12Vdc) 225mA @ (24Vdc)	512mA @ (12Vdc) 256mA @ (24Vdc)
Monitoring	Hall-Effect and Reed Switch	Hall-Effect and Reed Switch
Operating Temperature	-25 to 55 Degrees	-25 to 55 Degrees
Operating Humidity	0-95%	0-95%

Standards and Compliance	
	Successfully fire rated up to 4 hours on fire door assemblies in accordance with AS1905.1.2005 (Part 1: Fire Resistant Doorsets)
	CE Approved
	RCM Certified

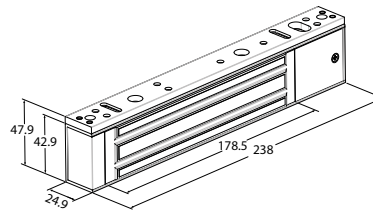


PADDE SERIES

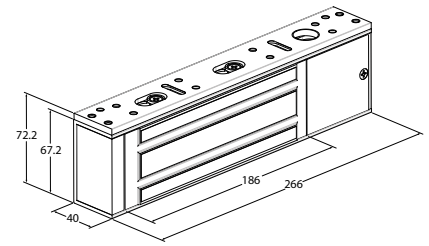
Z4 and Z8 Single Series Monitored



Z4 Electromagnetic Lock - Monitored



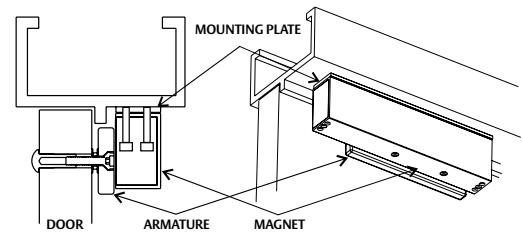
Z4 Electromagnetic Lock



Z8 Electromagnetic Lock



Z8 Electromagnetic Lock - Monitored



Typical Install for Z4 & Z8 out swinging doors.

Ordering Information

Part Number	Product Description
EMZ4-SM	EMZ4 E/Magnet 12/24Vdc Single Monitored
EMZ8-SM	EMZ8 E/Magnet 12/24Vdc Single Monitored
Accessories	
EMZ4B-SLZ	EMZ4 Bracket Single L & Z
EMZ4B-GU	EMZ4 Bracket Glass U 12mm
EMZ4B-GA	EMZ4 Bracket Glass Armature
EMZ4B-AM	EMZ4 Bracket Armature Monitored W/Magnet
EMZ4B-SMP	EMZ4 Bracket Single Mounting Plate
EMZ4SP-SC	EMZ4 Spare Part Screw Kit
EMZ4SP-PCBM	EMZ4 Spare Part Pcb Monitored
EMZ8B-SLZ	EMZ8 Bracket Single L & Z
EMZ8B-GU	EMZ8 Bracket Glass U 12Mm
EMZ8B-GA	EMZ8 Bracket Glass Armature
EMZ8B-AM	EMZ8 Bracket Armature Monitored W/Magnet
EMZ8B-SMP	EMZ8 Bracket Single Mounting Plate
EMZ8SP-SC	EMZ8 Spare Part Screw Kit
EMZ8SP-PCBM	EMZ8 Spare Pcb Monitored

Specification Statement

The Single Series Electromagnetic Lock should be constructed in an aluminium case with heavy duty electromagnet. The range only operates in Fail Safe mode and relies on a secondary lock or battery backup system. In some cases the magnet armature plate pivots to accommodate door drop. The lock needs to be equipped with "smart electronics" that have zero residual magnetism (instantaneous release). This is crucial for correct operation.

Z4 and Z8 Double Series Non Monitored



The Lockwood Padde Series Double Series Electromagnetic Locks operate with holding forces from 500kg up to 1160kg. Covering a range of applications these magnets are ideal for applications from access ways through to high use commercial swing doors. With fixing options including wood, aluminium and steel constructions as well as glass door applications, the range caters to most electromagnetic needs.

Key Features

- Fail-Safe: unlocks when power is removed
- Easy installation: suitable for both new and retrofit usage
- High holding force: refer to the technical data overleaf
- Self-alignment: armature plate pivots to accommodate door drop
- Silent operation: no humming or buzzing
- Dual voltage: site selectable 12 or 24 Vdc
- Instantaneous release: smart electronics on the electromagnets eliminate residual magnetism
- 5 Year Tricare Warranty (Padde Series)




Applications

- Aluminium doors
- Double swing doors
- Access control
- Surface mount for inswing and outswing doors

Product Details

	Z4 Magnet	Z8 Magnet
Holding Force	500kg-560kg	1100kg-1160kg
Dimensions	(L)476 x (H)48 x (D) 27 mm	(L)532 x (H)72 x (D) 40 mm
Voltage	12Vdc/ 24Vdc ±10%	12Vdc/ 24Vdc ±10%
Current	900mA @ (12Vdc) 450mA @ (24Vdc)	1024mA @ (12Vdc) 512mA @ (24Vdc)
Monitoring	None	None
Operating Temperature	-25 to 55 Degrees	-25 to 55 Degrees
Operating Humidity	0-95%	0-95%

Standards and Compliance

	Successfully fire rated up to 4 hours on fire door assemblies in accordance with AS1905.1.2005 (Part 1: Fire Resistant Doorsets)
	CE Approved
	RCM Certified

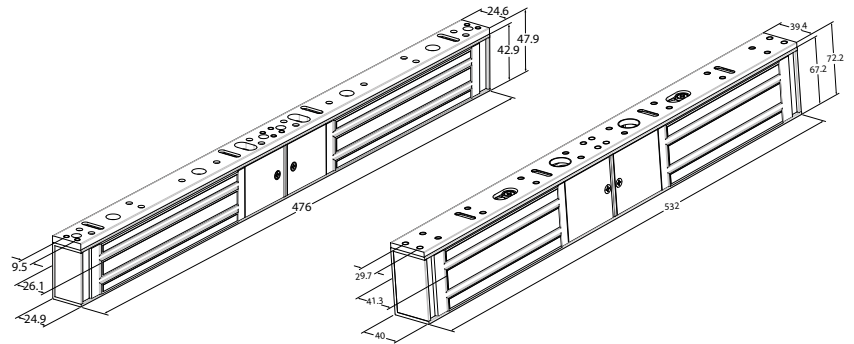
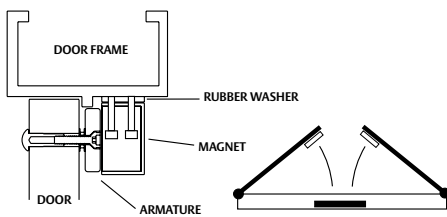
Z4 and Z8 Double Series Non Monitored



Z4 Double Electromagnetic Lock - Non Monitored



Z8 Double Electromagnetic Lock - Non Monitored



Out swinging door using the standard mounting plate.

Z4 Electromagnetic Lock

Z8 Electromagnetic Lock

Ordering Information

Part Number	Product Description
EMZ4-DN	EMZ4 E/Magnet 12/24Vdc Double Non Monitored
EMZ8-DN	EMZ8 E/Magnet 12/24Vdc Double Non Monitored
Accessories	
EMZ4B-DLZ	EMZ4 Bracket Double L & Z
EMZ4B-AN	EMZ4 Bracket Armature Non Monitored
EMZ4B-DMP	EMZ4 Bracket Double Mounting Plate
EMZ4SP-SC	EMZ4 Spare Part Screw Kit
EMZ8B-DLZ	EMZ8 Bracket Double L & Z
EMZ8B-AN	EMZ8 Bracket Armature Non Monitored
EMZ8B-DMP	EMZ8 Bracket Double Mounting Plate
EMZ8SP-SC	EMZ8 Spare Part Screw Kit

Specification Statement

The Double Series Electromagnetic Lock should be constructed in an aluminium case with heavy duty electromagnet. The range only operates in Fail Safe mode and relies on a secondary lock or battery backup system. The lock needs to be equipped with "smart electronics" that have zero residual magnetism (instantaneous release). This is crucial for correct operation.

Z4 and Z8 Double Series Monitored



Lockwood Padde Series Double Series Monitored Electromagnetic Locks, operate with holding forces from 500kg up to 1160kg.

These can also be used for doors that need to be monitored in terms of door position and if the door is locked.

Covering a range of applications the Z4 and Z8 Electromagnets are ideal for applications from cupboard doors through to high use commercial swing doors.

With fixing options including wood, aluminium and steel constructions, as well as glass door applications, the range caters to most electromagnetic needs.

Key Features

- Fail-Safe: unlocks when power is removed
- Easy installation: suitable for both new and retrofit usage
- High holding force: refer to the technical data overleaf
- Self-alignment: armature plate pivots to accommodate door drop

- Silent operation: no humming or buzzing
- Dual voltage: site selectable 12 or 24 Vdc
- Monitoring: hall-effect and reed switch monitoring on all models
- Instantaneous release: smart electronics on the Z Series Electromagnets eliminate residual magnetism
- 5 Year Tricare Warranty (Padde Series)

Applications

- Aluminium doors
- Double swing doors
- Access control
- Surface mount for inswing and outswing doors

Monitoring

Hall / Bond Monitoring

This indicates that the lock is powered and that the Armature Plate is in position and magnetically bonded (it monitors if the magnet is locked)

Reed Switch Monitoring

An integrated reed switch monitors the door position separately (it monitors the position of the door)

Product Details

	Z4 Magnet	Z8 Magnet
Holding Force	500kg-560kg	1100kg-1160kg
Dimensions	(L)476 x (H)48 x (D) 27 mm	(L)532 x (H)72 x (D) 40 mm
Voltage	12Vdc/ 24Vdc ±10%	12Vdc/ 24Vdc ±10%
Current	900mA @ (12Vdc) 450mA @ (24Vdc)	1024mA @ (12Vdc) 512mA @ (24Vdc)
Monitoring	Hall-Effect and Reed Switch	Hall-Effect and Reed Switch
Operating Temperature	-25 to 55 Degrees	-25 to 55 Degrees
Operating Humidity	0-95%	0-95%

Standards and Compliance



Successfully fire rated up to 4 hours on fire door assemblies in accordance with AS1905.1.2005 (Part 1: Fire Resistant Doorsets)



CE Approved



RCM Certified

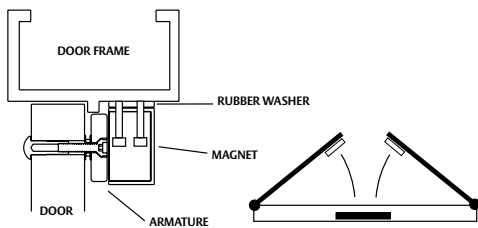
Z4 and Z8 Double Series Monitored



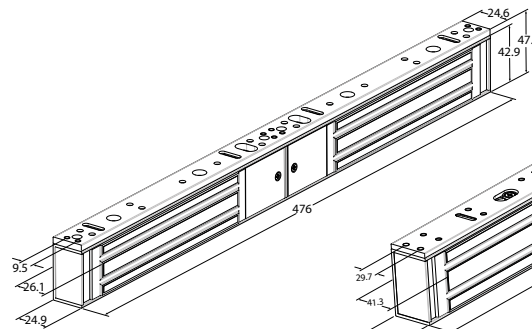
Z4 Double Electromagnetic Lock - Monitored



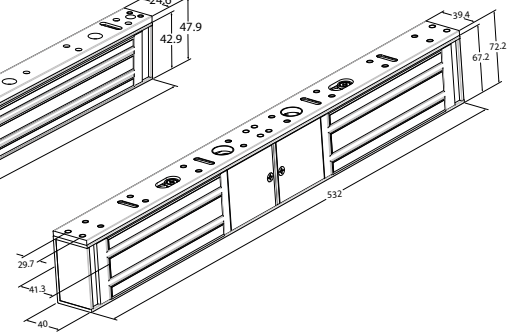
Z8 Double Electromagnetic Lock - Monitored



Out swinging door using the standard mounting plate.



Z4 Electromagnetic Lock



Z8 Electromagnetic Lock

Ordering Information

Part Number	Product Description
EMZ4-DM	EMZ4 E/Magnet 12/24Vdc Double Monitored
EMZ8-DM	EMZ8 E/Mag 12/24Vdc Double Monitored
Accessories	
EMZ4B-DLZ	EMZ4 Bracket Double L & Z
EMZ4B-AM	EMZ4 Bracket Armature Monitored W/Magnet
EMZ4B-DMP	EMZ4 Bracket Double Mounting Plate
EMZ4SP-SC	EMZ4 Spare Part Screw Kit
EMZ4SP-PCBM	EMZ4 Spare Part Pcb Monitored
EMZ8B-DLZ	EMZ8 Bracket Double L & Z
EMZ8B-AM	EMZ8 Bracket Armature Monitored W/Magnet
EMZ8B-DMP	EMZ8 Bracket Double Mounting Plate
EMZ8SP-SC	EMZ8 Spare Part Screw Kit
EMZ8SP-PCBM	EMZ8 Spare Pcb Monitored

Specification Statement

The Double Series Electromagnetic Lock should be constructed in an aluminium base with heavy duty electromagnet. The range only operates in Fail Safe mode and relies on a secondary lock or battery backup system. The lock needs to be equipped with "smart electronics" that have zero residual magnetism (instantaneous release). This is crucial for correct operation.

Z4 Recessed Electromagnetic Lock



The Lockwood Padde Series Z4 Recessed Electromagnetic Locks operate with holding forces up to 280kg. Covering a range of applications these magnets are ideal for situations where the magnet needs to be recessed such as swing and sliding doors. With fixing options including wood, aluminium and steel constructions, the range caters to most needs. The electromagnets are available in both monitored and non monitored models, using hall-effect monitoring on some. These Electromagnetic Locks are CSIRO approved for use on fire doors and are characterised by their high quality and proven reliability in both fire and security applications.

Key Features

- Fail-Safe: unlocks when power is removed
- Easy installation: suitable for both new and retrofit usage
- High holding force: refer to the technical data overleaf
- Self-alignment: armature plate pivots to accommodate door drop
- Silent operation: no humming or buzzing
- Dual voltage: site selectable 12 or 24 Vdc
- Monitored versions: hall-effect status monitoring available on some models
- Instantaneous release: smart electronics on the Z4 Recessed Electromagnetic Lock eliminate residual magnetism
- 5 Year Tricare Warranty (Padde Series)



Applications

- Various sliding door applications

Product Details

	Z4 Magnet Non Monitored	Z4 Magnet Monitored
Holding Force	250kg-280kg	250kg-280kg
Dimensions	(L)182 x (H)42 x (D)23 mm	(L)182 x (H)42 x (D)23 mm
Voltage	12Vdc/ 24Vdc $\pm 10\%$	12Vdc/ 24Vdc $\pm 10\%$
Current	450mA @ (12Vdc) 225mA @ (24Vdc)	450mA @ (12Vdc) 225mA @ (24Vdc)
Monitoring	None	None
Operating Temperature	-25 to 55 Degrees	-25 to 55 Degrees
Operating Humidity	0-95%	0-95%

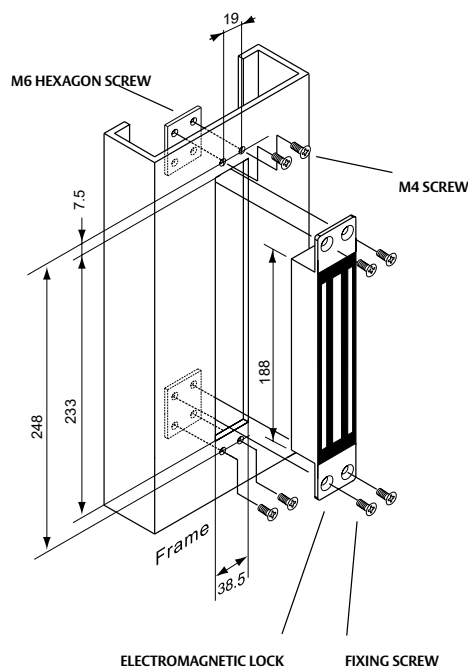
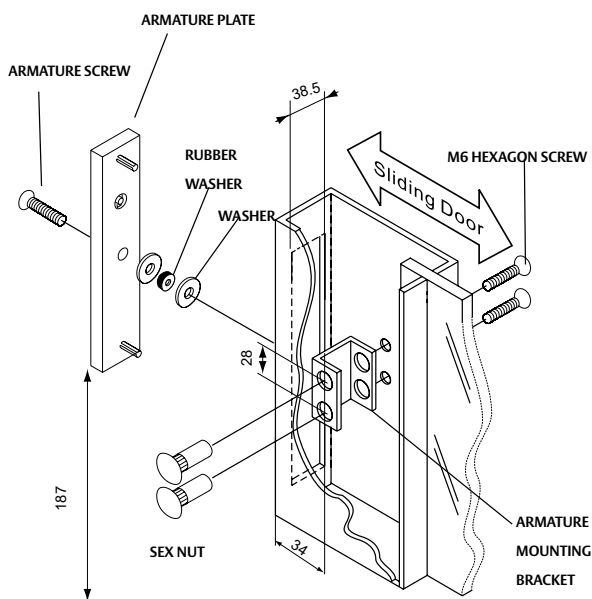
Standards and Compliance

	CE Approved
	RCM Certified

Z4 Recessed Electromagnetic Lock



Z4 Recessed Electromagnetic Lock



Ordering Information

Part Number	Product Description
EMZ4-RSN	EMZ4 E/Magnet Recessed 12/24Vdc Single Non Monitored
EMZ4-RSM	EMZ4 E/Magnet Recessed 12/24Vdc Single Monitored

Specification Statement

The Z4 Recessed Electromagnetic Lock should be constructed in an aluminium case with heavy duty electromagnet. The range only operates in Fail Safe mode and relies on a secondary lock or battery backup system. The lock needs to be equipped with “smart electronics” that have zero residual magnetism (instantaneous release). This is crucial for correct operation.

Weather Resistant Electromagnetic Lock



The Lockwood Padde Series Weather Resistant Electromagnetic Lock operates with holding forces from 250kg up to 580kg. Covering a range of applications these are ideal where magnets are exposed to the weather. With fixing options including wood, aluminium and steel constructions as well as glass door applications, the range caters to most external needs. The electromagnets are available in monitored models using hall-effect monitoring. These Electromagnetic Locks are CSIRO approved for use on fire doors and are characterised by their high quality and proven reliability in both fire and security applications. The “smart electronics” have zero residual magnetism meaning instantaneous release when required. An additional advantage is the ability to select either 12V or 24V DC application on site.

Key Features

- Fail-Safe: unlocks when power is removed
- Easy installation: suitable for both new and retrofit usage
- Self-alignment: armature plate pivots to accommodate door drop
- Silent operation: no humming or buzzing
- Dual voltage: site selectable 12 or 24 Vdc
- Monitored versions: hall-effect status monitoring available
- 5 Year Tricare Warranty (Padde Series)

Monitoring

Hall / Bond Monitoring

Hall-effect position sensors are non-contact devices that convert energy from a magnetic field into an electrical signal. This indicates that the lock is powered and that the Armature Plate is in position and magnetically bonded (it monitors if the magnet is locked).

Applications

- Outdoor / exposed doors
- Doors located in coastal areas

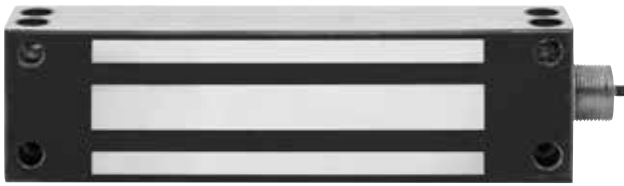
Product Details

Z8 Weather Resistant Electromagnet	
Holding Force	550kg-580kg
Dimensions	(L)230 x (H)67 x (D)43 mm
Voltage	12Vdc/ 24Vdc ±10%
Current	512mA @ (12Vdc) 256mA @ (24Vdc)
Monitoring	Hall-Effect
Operating Temperature	-25 to 55 Degrees
Operating Humidity	0-95%

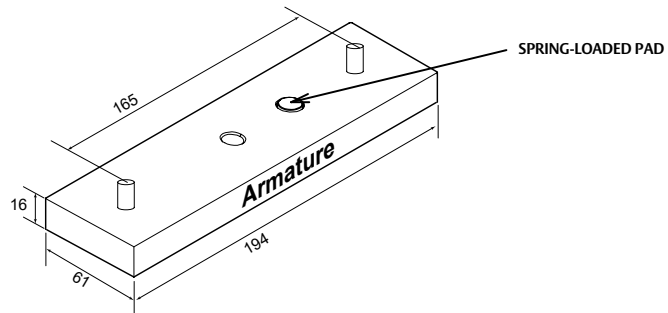
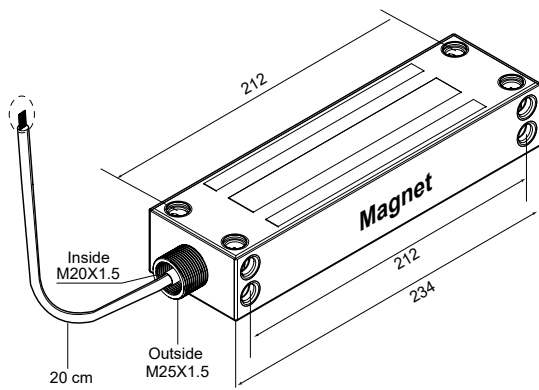
Standards and Compliance

	CE Approved
	RCM Certified

Weather Resistant Electromagnetic Lock



Z8 Weather Resistant Electromagnetic Lock - Monitored



Ordering Information

Part Number	Product Description
EMZ8-WSM	EMZ8 E/Magnet Weather Res 12/24Vdc Single Monitored

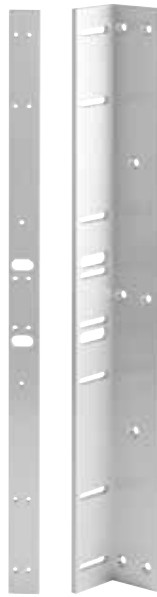
Specification Statement

The Weather Resistant Electromagnetic Lock should be constructed in an aluminium case with heavy duty electromagnet. The range only operates in Fail Safe mode and relies on a secondary lock or battery backup system. In some cases the Magnet Armature Plate pivots to accommodate door drop.

Electromagnetic Lock Accessories



L and Z Brackets



Angle Bracket



Armature Plate



Glass Door "U" Bracket

The Lockwood Padde Series Electromagnetic Lock range offers a number of accessory options. These accessories allow the Electromagnetic Locks to be used in a number of different applications and can be adjusted and suited to each situation. This allows the installer to configure the door as required allowing user specific features such as open in / open out selection or glass door applications. Lockwood's Electromagnetic Lock Accessories meet or exceed local and international standards, providing safe and secure locking.

Key Features

- Adjustable fixing positions
- Cast aluminium construction
- Meet and exceed international and local standards

Applications

- Open in/open out doors
- Glass door security
- Double doors security
- Sliding door security

Ordering Information

Part Number	Product Description
Z4 Brackets	
EMZ4B-SLZ	EMZ4 Bracket Single L & Z
EMZ4B-DLZ	EMZ4 Bracket Double L & Z
EMZ4B-GU	EMZ4 Bracket Glass U 12Mm
EMZ4B-GA	EMZ4 Bracket Glass Armature
EMZ4B-AN	EMZ4 Bracket Armature Non Monitored
EMZ4B-AM	EMZ4 Bracket Armature Monitored W/Magnet
EMZ4B-SMP	EMZ4 Bracket Single Mounting Plate
EMZ4B-DMP	EMZ4 Bracket Double Mounting Plate
Z8 Brackets	
EMZ8B-SLZ	EMZ8 Bracket Single L & Z
EMZ8B-DLZ	EMZ8 Bracket Double L & Z
EMZ8B-GU	EMZ8 Bracket Glass U 12Mm
EMZ8B-GA	EMZ8 Bracket Glass Armature
EMZ8B-DMP	EMZ8 Bracket Double Mounting Plate
EMZ8B-SMP	EMZ8 Bracket Single Mounting Plate
EMZ8B-AN	EMZ8 Bracket Armature Non Monitored
EMZ8B-AM	EMZ8 Bracket Armature Monitored W/Magnet

Wall and Floor Mounted Hold Open Magnets



The Lockwood Padde Series EM830 Series of Hold Open Magnets can work as standalone or with an integrated fire system. These Fail-Safe devices will automatically release if connected to a fire detection system.

Some models include integrated "interrupter buttons" giving the ability to open or close the door manually at any time. Other models have an integrated soft close shock absorbers for silent operation i.e. in Hospitals

Key Features

- Fail Safe Operation – Unlocks when power is removed
- Shock absorber for soft close (model dependent)
- Integrated Interrupter push-button (model dependent)
- Modern Design
- Silent Operation (no humming)
- Easy Install
- Space bracket for wall mount option standard
- 5 Year Tricare Warranty (Padde Series)

Applications

Fire Doors that need to close upon fire signal

- Fire Doors
- Doors that restrict the passage of fire

Non Fire Doors that need to be held open

- Cinema Doors
- Hospital Doors
- Parameter Doors
- Other Doors

Hold open devices are primarily used for fire doors, but not only limited to this application. Other known applications are doors that require to be held open for several hours i.e. with Cabin Hooks. For this application the device needs constant power and no "smarts" are required.

Note: Ensure you select the model with Integrated Interrupter push-button and also buy 24vdc Power supply

Product Details

	EMHO830-1	EMHO830-2	EMHO830-3	EMHO830-4
Wall & Floor Mount	Yes	Yes	Yes	Yes
Integrated Interrupter pushbutton	No	Yes	No	Yes
Shock Absorber	No	No	Yes	Yes
Holding Force	150 kg	150 kg	150 kg	150 kg
Voltage	24vDC	24vDC	24vDC	24vDC
Operating Temperature	0-50°C	0-50°C	0-50°C	0-50°C
Floor Spacing	110 mm	110 mm	110 mm	110 mm
Wall Spacing	190 mm	190 mm	215 mm	215 mm
Continuous Duty	100%ED	100%ED	100%ED	100%ED

Standards and Compliance

CE CE Approved

 RCM Certified

IP 40 Rating

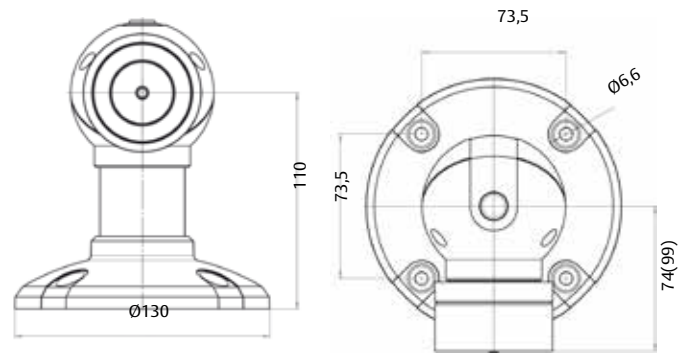
Wall and Floor Mounted Hold-Open Magnets



EMHO830-1



EMHO830-3



EM 830 Magnet Dimensions



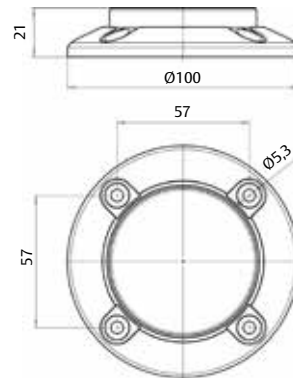
EMHO830-2



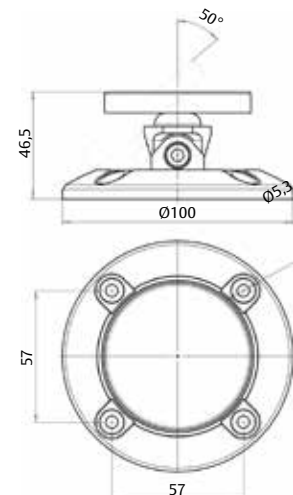
EMHO830-4



EF800 Hold Bracket
(Ordered Separately)



EF800 Hold Swivel Bracket
(Ordered Separately)



Wall and Floor Mounted Hold Open Magnets

Ordering Information

Part Number	Product Description
EMHO830-1	EM830 E/Hold Magnet 24Vdc
EMHO830-2	EM830 E/Hold Magnet 24Vdc Inter Button
EMHO830-3	EM830 E/Hold Magnet 24Vdc Shock Abs
EMHO830-4	EM830 E/Hold Magnet 24Vdc Shock Abs + Inter Button
EMHOB-1	EM800 Hold Open Bracket
EMHOB-2	EM800 Hold Open Swivel Bracket



Electromechanical Bolts

5YEAR

TRICARE
WARRANTY

PADDE SERIES

Electromechanical Bolts Contents



TB25

Drop Bolt

page 47



TB25KO

Drop Bolt

page 49



ES6000

Hook Lock

page 51



ES8000-S

V-Lock

page 53



ES8000

Glass Door Bracket

page 55



ES8200

Technilock

page 57

TB25 Drop Bolt



The Lockwood Padde Series TB25 range of Drop Bolts represent true engineering innovation, design excellence and the superior quality customers have come to expect and demand from Lockwood. Designed for use on swing-through, double action doors and ideal for applications where an Electric Strike is impractical.

Features

- High Security: bolt is deadlocked in the extended position
- Bolt position monitored
- Door position monitor with integrated magnet in the strike plate (no need to install a separate reed switch)
- Multiple orientation, drop bolts will work horizontally or vertically
- Power to Lock/Power to Open
- Continuously rated solenoid
- Tamper proof: lock cannot be defeated by slipping a metal object between lock and striker plate
- Intelligent electronics: these intelligent bolts will attempt to re-close the bolt 8 times, allowing time for swing through doors to settle in the closed position
- Thermal protection: in the event of solenoid overheat, a thermal fuse will operate eliminating any fire risk
- 5 Year Tricare Warranty (Padde Series)


Applications

- Misaligned doors
- Timer doors

Product Details

Voltage	12 to 24V
Current (Start)	1100mA @ 12V, 1000mA @ 24V
Current (Holding)	210mA @ 12V, 90mA @ 24V
Holding Force	1000kg
Locking Mode	Fail safe or Fail Secure (non field selectable)
Dimensions (Mortice)	164 x 22 mm
Bolt Length	12.7 x 16 mm
Face Plate Size	10 x 25 mm
Monitoring Contacts	Bolt and Door

Standards and Compliance

	CE Approved
	RCM Certified

TB25KO Drop Bolt



The Lockwood Padde Series TB25KO range of Drop Bolts represent true engineering innovation, design excellence and the superior quality customers have come to expect and demand from Lockwood. Designed for use on swing-through double action doors and are ideal for applications where an Electric Strike is impractical. The TB25KO offer a unique mechanical override with an integrated Euro Profile Cylinder.

Features

- High security: bolt is deadlocked in the extended position
- Mechanical key override in the event of power failure (Euro Profile Cylinder)
- Bolt position monitored
- Door position monitor with integrated magnet in the Strike Plate (no need to install a separate reed switch)
- Multiple orientation: drop bolts will work horizontally or vertically
- Power to Lock/Power to Open
- Continuously rated solenoid
- Tamper proof: lock cannot be defeated by slipping a metal object between lock and striker plate
- Thermal protection: in the event of solenoid overheat, a thermal fuse will operate eliminating any fire risk
- 5 Year Tricare Warranty (Padde Series)


Applications

- Misaligned doors
- Timer doors

Product Details

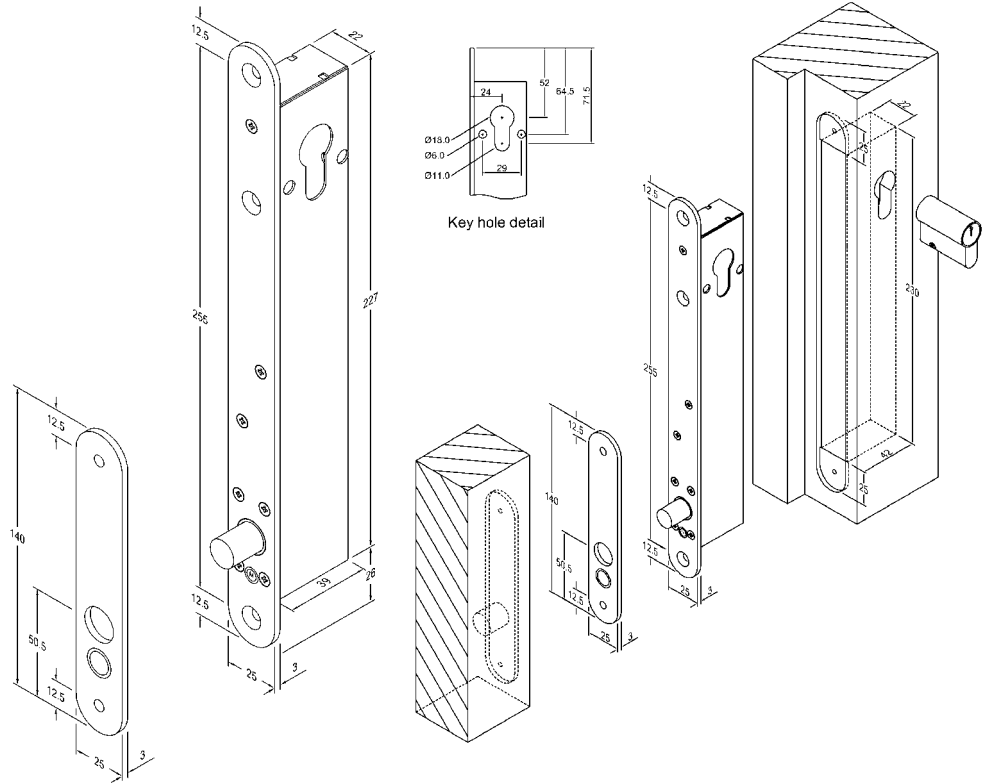
Voltage	12 or 24Vdc
Current (Start)	1100mA @ 12V, 1000mA @ 24V
Current (Holding)	210mA @ 12V, 90mA @ 24V
Holding Force	1000kg
Locking Mode	Fail safe or Fail Secure (non field selectable)
Dimensions (Mortice)	228 x 22 mm
Bolt Length	12.7 x 16 mm
Face Plate Size	280 x 25 mm
Monitoring Contacts	Bolt, door and key

Standards and Compliance

 CE Approved

 RCM Certified

TB25KO Drop Bolt



Ordering Information

Part Number	Product Description
TB25KO-1	TB25 K/O D/Bolt 12-24Vdc Fail Safe Monitored
TB25KO-2	TB25 K/O D/Bolt 12-24Vdc Fail Secure Monitored
Accessories	
228250-502	EB25KO SS Housing for Bolt

Specification Statement

The bolt must be able to operate in horizontal and vertical orientations. The position of the bolt must be monitored as well as have an integrated reed switch for door position monitoring. The electronic functions must include: 8 x lock and unlock attempts, 8 second unlock delay, automatic relock after 8 seconds, power reduction circuitry to limit the holding current and a one time thermal fuse cut-out in case of solenoid overheating. The face plate and strike plate must be finished in Stainless Steel.

ES6000® Hook Lock



Lockwood Padde Series ES6000 Hook Lock is suitable for swinging doors, sliding doors and is easily attached to wood or steel door frames. ES6000 is heavy duty designed with its high pre-load (side load) capability of up to 300 kg, high holding force of up to 700 kg and up to 4hr fire rating. Both Power to Open and Power to Lock models are available.

The ES6000 is available in both recess and surface mounted versions.

The ES6000 recess mounted version is completed with an elegant Satin Stainless Steel Faceplate. The surface mounted version is completed with a cast aluminium cover that can be supplied in a variety of colours to match existing door frames.

ES6000 can be mounted vertically and horizontally, with self-latching ability without power for fire applications.

Features

- Power to Open or Power to Lock versions available
- Side load (pre-load) capable: operates freely with up to 300 kg of side pressure
- Self latching: will self latch without power for fire applications

- 680 kg holding force
- Robust construction: stainless steel components used
- Low profile: will protrude only 40 mm into door headroom
- Multi voltage: automatic selection 12 to 30Vdc with back EMF protection and reverse polarity protection
- Multi orientation: can be mounted vertically or horizontally
- Low current consumption
12VDC-250mA after 1 sec. (initial current 830mA)
24VDC-140mA after 1 sec. (initial current 530mA)
- Monitored: locked and unlocked
- 300 kg pre-load capability
- 5 Year Tricare Warranty (Padde Series)




Applications

- Heavy duty applications
- Sliding and swing door applications
- High air pressure environments (high pre-load rating)

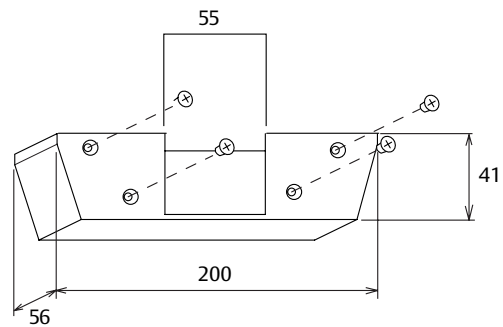
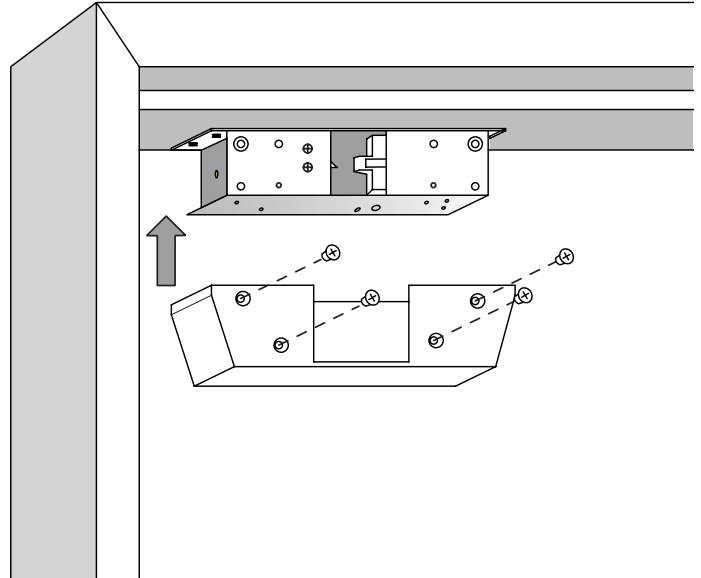
Product Details

Voltage	Supply Voltage 12-30Vdc Ground (OV)
Current	12Vdc-250 mA after 1 sec. (initial current 830mA) 24Vdc-140 mA after 1 sec. (initial current 530mA)
Monitoring	Door Locked (Solenoid) - Door Closed (Latch)
Strength	1500 lbs. (680 kg) static strength rating 70 foot-lbs. dynamic strength rating
Endurance	250,000 cycles endurance testing Internal testing achieved: 2,000,000 cycles of operation
Pre-Load	660lbs (300kg) pre-load capability
Environment	Operational temperature range: -20°C to +60°C
Lock Body	Cast Aluminium Construction
Lock Bolt	Solid Stainless Steel

Standards and Compliance

	Successfully fire rated up to 2 hours on fire door assemblies in accordance with AS1905.1. 2005 (Part 1: Fire resistant door sets)
	Approved to UL1034 (highest level)
	RCM Certified

ES6000 Hook Lock



Ordering Information

Part Number	Product Description
ES6000M-1	ES6000 Hook Lock Mortice 12/24Vdc Fail Safe Monitored
ES6000S-1	ES6000 Hook Lock Surface 12/24Vdc Fail Safe Monitored
ES6000M-2	ES6000 Hook Lock Mortice 12/24Vdc Fail Secure Monitored
ES6000S-2	ES6000 Hook Lock Surface 12/24Vdc Fail Secure Monitored

Accessories

206000-010	Spare Cover for Hook Lock, Silver
------------	-----------------------------------

Specification Statement

This lock must be able to operate with up to 300 kg of preload pressure, with a holding force of 700 kg. The lock must be multi voltage selection 12 - 30 Volts with back EMF protection for reverse polarity. Lock can be mounted both horizontally or vertically. The lock needs to be subjected to vigorous testing and achieve a minimum of 2,000,000 cycles.

ES8000-S V-Lock



The Lockwood Padde Series world famous and original V-Lock has been completely re-engineered to provide superior performance and reliability.

The ES8000-S now incorporates a new motor and 1:19 ratio gearbox providing up to 65% additional preload capability and a higher locking force up to 10Kg.

The electronic circuitry has also been completely upgraded to intelligently detect the locked state with “smart” retry function & uses on average 25% less peak current draw.

Aside from some minor cosmetic changes, the lock body and overall footprint remains unchanged and is a direct retrofit for the original V-Lock.

Features

- Side load - Pre-load Capable Lock will unlock with up to 25kg of side pressure, when wired in 3 wire mode
- Door misalignment of up to 3.5mm +/- (total of 7mm)
- Power to Lock (Fail Safe) / Power to Open (Fail Secure) field configurable
- High Torque Motorised locking and unlocking (3 wire mode)

- High speed operation. Unlocks in less than 1 second
- Intelligent smart retry locking function
- Surface Mount Accessory Kit. Ideal for 180° swing through glass door applications
- Multiple applications – For Interior Doors the lock can be mounted vertically or horizontally (Note: for exterior doors due to possible water ingress the ES8000 must be mounted horizontally)
- 5 Year Tricare Warranty (Padde Series)

Applications

- Misaligned doors
- Timber doors
- Glass doors

Functions

The ES8000-S has a high torque motorised bolt that moves from the vertical position to the horizontal state when locked. The bolt moves into the V shaped strike plate & allows for door misalignment of up to 7mm. The high torque motorised bolt can be concealed from view or surface mounted and has the world’s first Fail-Safe motor locking mechanism.

Product Details

Voltage	12 to 24Vdc, Voltage Tolerance 12V(+15% - 0%) 24V(+/- 15%)
Peak Current	1000mA*
Idle Current	19mA
Monitoring	COM, NO, NC Voltage free changeover contacts rated at 30 vdc/100mA
Unlocking Time	1 sec
Locking Time	3 sec
Security Passed	S3 (AS4145.2-1993)
Strength Maximum	1000kg (with supported strike plate and bracket)
Unlocking Preload	Side Load rated: Motorised Unlocking - 25kg max at bolt
Locking Force	Fail Safe Unlocking - 10kg max at bolt
Endurance	300,000 operations
Environment	Operational temperature range -20°C to +60°C
Locking Body	Stainless Steel Lock Body and Faceplate
Bolt	11mm diameter, 20.5mm projection

* Peak current is reduced but a 1000mA power supply is still required for 12v installations.

Standards and Compliance

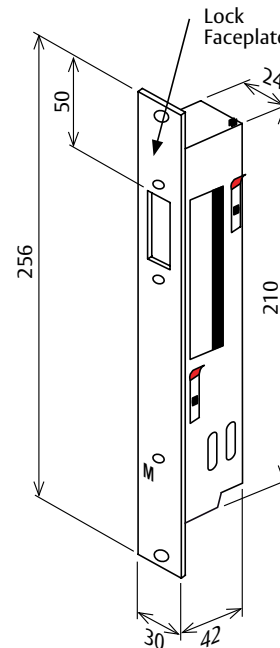
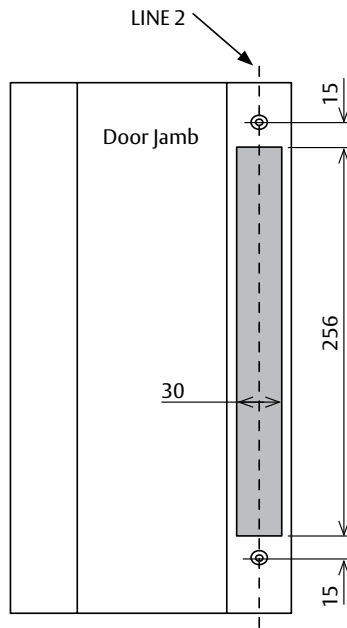


Successfully fire rated up to 4 hours on fire door assemblies in accordance with AS1905.1. 2005 (Part 1: Fire Resistant Doorsets).

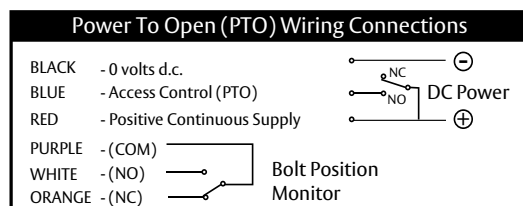
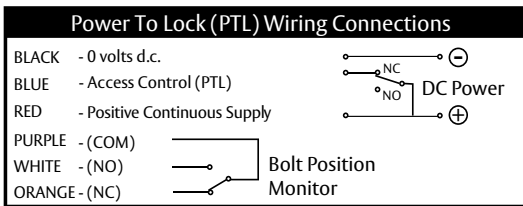


RCM Certified

ES8000-S V-Lock



Wiring below shows lock in locked position



Ordering Information

Part Number	Product Description
ES8000-1	ES8000 D/Bolt 12-24Vdc Fail Safe Monitored
ES8000-2	ES8000 D/Bolt 12-24Vdc Fail Secure Monitored
ES8000HS-1	ES8000 D/Bolt High Sec 12-24Vdc Fail Safe Monitored
ES8000HS-2	ES8000 D/Bolt High Sec 12-24Vdc Fail Secure Monitored
Accessories	
208000-000	ES8000 V-Lock Glass Door Housing (including dress plate and fixing tape)
208000-003	ES8000 V-Lock Strike Plate with Magnet (spare part)

Specification Statement

The lock must be a high torque motorised bolt with pre-load tolerance. The Strike Plate must be shaped in a V format to accommodate for misaligned doors. Lock will unlock with up to 25kg of side pressure and will be powered with 12-24v and draw no more than 1000mA. The lock must be configured for Power to Lock (Fail Safe) or Power to Open (Fail Secure). The lock must be triggered with a magnet positioned in strike plate and be monitored for locked unlocked and door position.

ES8000 Glass Door Bracket



The ES8000 Glass Door Bracket is the ideal solution when it comes to 180° swing through doors or double action glass doors. Until now we had to rely on other products for these applications. This bracket works in conjunction with the ES8000 and is not limited to glass thickness. As we know there are many factors that cause side load/pressure, the ES8000 resolves this problem and still offers a secure and reliable locking solution that is aesthetically appealing for glass doors.

The ES8000 Glass Door Bracket is fixed to the glass by means of 3M self adhesive tape. This type of fixing gives a great aesthetic appearance as well as easy installation.

Note: Two brackets are required if there is a glass header, also it's important to note that the bracket(s) should always be installed at the secure side of the door.

Notes on the 3M Self Adhesive Tape

As per the 3M published data and given the surface area of the V-Lock glass door housing (around 20 sq. in.), this equates to around 900kg holding force under laboratory conditions. The actual shatter point of glass varies from door to door depending on the condition of the glass (scratches, chips etc). But any attempt to leverage a glass door beyond 500kg will more than likely shatter it.

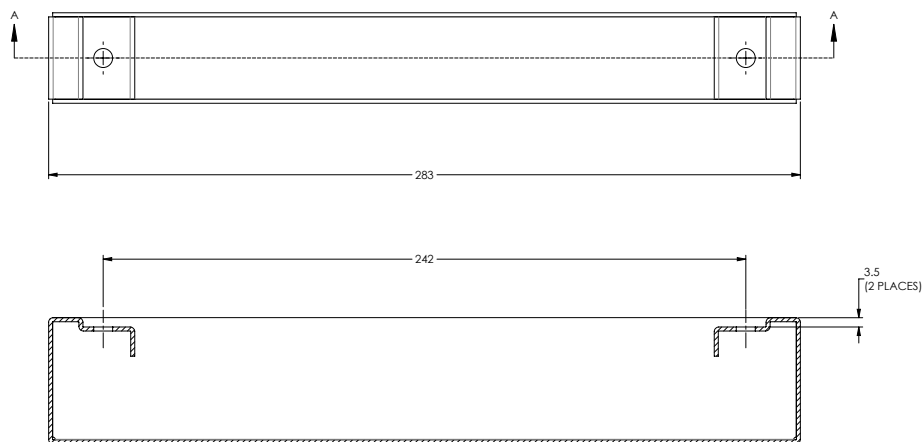
Features

- Self adhesive holding force 900kg
- Includes dress plate for opposite side of door
- 5 Year Tricare Warranty (Padde Series)

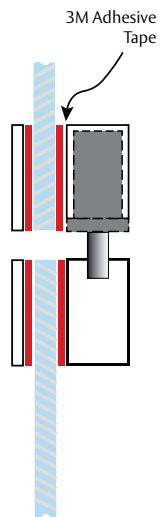
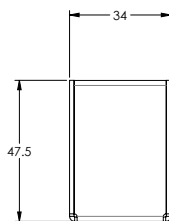
Applications

- Frameless glass doors with solid header frame
- Frameless glass doors with frameless glass header (two brackets required)
- 90° and 180° single and double swing glass doors
- Other surface applications for timber doors.

ES8000 Glass Door Bracket



SECTION A-A



Ordering Information

Part Number	Product Description
208000-000	ES8000 V-Lock Glass Door Housing (incl Dress Plate and 3M fixing tape)

ES8200 Technilock®



Lockwood Padde Series ES8200 Technilock is a high security locking solution with comprehensive resistance against all types of attack and manipulation. Originally designed and developed for custodial purposes, the Technilock is in use today in government institutions, banks, embassies and jewellers.

ES8200 is available in 30mm and 60mm backset, in both Power to Lock or Power to Open configuration. Key override monitoring version is also available.

Features

- Side load (pre-load) capable – bolt will release with up to 70kg of side pressure – ideal for use on doors with seals or doors that are subjected to high wind load or air-conditioning pressures
- Extreme holding force – will withstand more than 2500kgs, the test rig manufactured to test the bolt broke at 2500kg; the bolt will withstand more than this

- Power to Lock and Power to Open (must be specified) versions available on request. The bolt is not interchangeable in the field and configuration must be specified when ordering
- High speed operation – locks in less than 1 second
- Multiple orientations – can be mounted horizontally or vertically
- Comprehensive monitoring – bolt locked, door closed, optional key-override monitoring
- 5 Year Tricare Warranty (Padde Series)




Applications

- High security locking
- Government applications
- Custodial applications
- Banking and security applications

Product Details

Voltage	3 wire control - 24Vdc regulated supply only
Current	Start current 4.5 Amp (24Vdc) for ½ second Holding current 500mA (24Vdc)
Monitoring	Bolt position 25mA (30Vdc) NC - Door position 25mA (30Vdc) NC
Holding Force	In excess of 2500kg holding force
Pre Load	Will open with 70kg of side pressure (pre-load)
Bolt Throw	Dead Bolt throw of 20mm
Door Clearance	Maximum door gap = 5.5mm
Environment	Operational temperature range: -20°C to + 80°C
Lock Body	Solid Stainless Steel Construction
Lock Bolt	Solid Stainless Steel

Standards and Compliance

	CE Approved SCEC Endorsed for SL3 Medium Threat level areas
	RCM Certified
	Successfully fire rated up to 4 hours on fire door assemblies in accordance with AS1905.1.2005 (Part 1: Fire Resistant Doorsets)



Electric Mortice Locks

25YEAR

MECHANICAL
WARRANTY

Electric Mortice Locks Contents



3570 Series

Electric Mortice Lock

page 61



3579 Series

Electric Mortice Lock

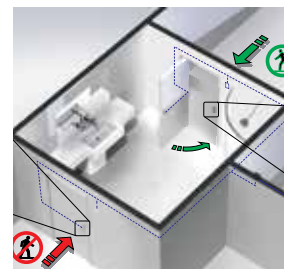
page 67



3579HS Series

Electric Mortice Lock

page 69



Hi-O Room Guard

Locking System

page 71



3580 Series

Electric Mortice Lock

page 74



Power Transfer Lead

page 79

3570 Series Electric Mortice Lock



Designed and manufactured in Australia, the 3570 Series Electric Mortice Lock is a high performance lock of superior quality. It is constructed from high grade zinc alloy, with a stainless steel latch bolt and faceplate and is suited for all commercial applications.

The lock can be operated by push buttons, intercom systems and key switches; or integrated with electronic access control systems for use with higher security devices such as keypads or card readers.

Standards and Compliance

SL8 (Security) Australian Lock Standard (AS4145.2.2008) (when used with equivalent security level keying system)

D8 (Durability) Australian Lock Standard (AS4145.2.2008)



Successfully fire rated up to 4hrs on fire door assemblies in accordance with AS1905.1. 2005 (Part 1: Fire resistant door sets)



RCM Certified

SCEC Endorsed for SL3 Medium Threat Level Areas

Product Details

Voltage	12Vdc - 24Vdc Operating Voltage
Current	500mA (max) 80mA holding @ 12Vdc 275mA (max) 50mA holding @ 24Vdc
LED Current	When LED's are fitted, add 15mA (max) to total current draw
Monitoring	Dual Key override Deadlatched Locked Door closed Request to exit Microswitches: 500mA (max) @ 30Vdc each circuit. Reedswitch: 100mA (max) @ 30Vdc
Environment	Operational temperature range -20c to +60c
Case/Cover	High purity Zinc alloy construction
Backset	60mm standard, 89 & 127 mm available
Latch Bolts	Reversible with Stainless Steel construction
Door Clearance	3 - 6.5 mm
Door Thickness	Standard applications 32 to 50mm
Cylinder	Standard Lockwood oval shaped cylinders
Cabling	1.6 metre length of cable with 12 pin socket supplied with each lock. Recommended cable: 18AWG (0.82mm ²) cable runs up to 30m
Furniture	Compatible with Lockwood series door furniture
Standard Finishes	Satin Chrome (SC) standard

3570 Series Electric Mortice Lock

Key Features

Designed with flexibility in mind, the one lock can cover all functions and is easily configured on site for the required application.

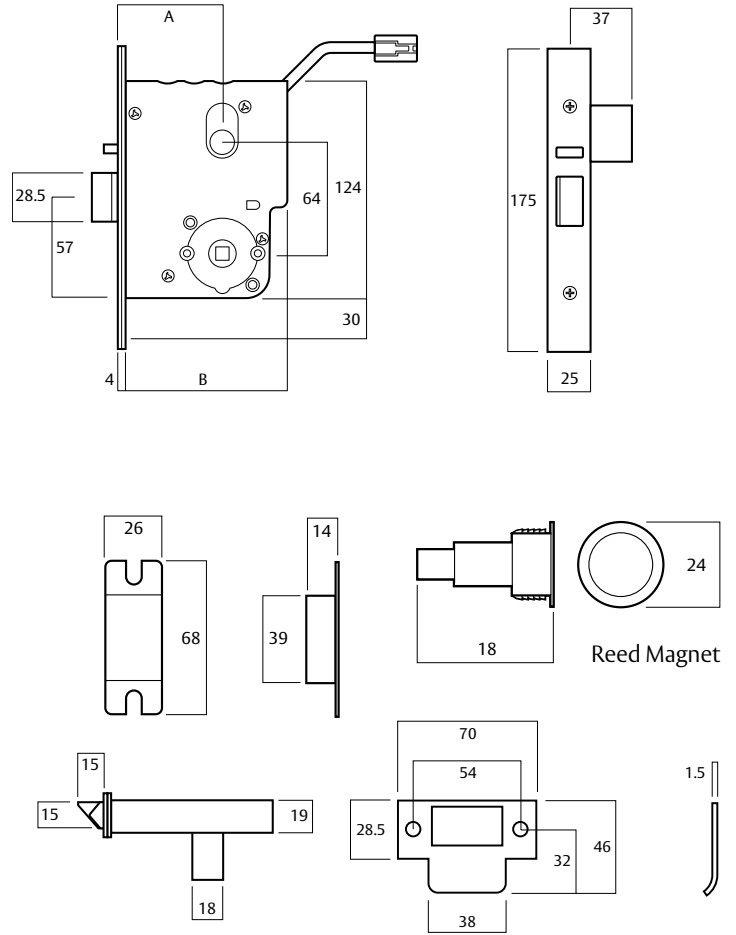
Available in non monitored and monitored versions.

Monitoring Features:

- Dead latched and Locked
- Door position/Reed switch
- Dual key override monitoring
- Request to exit/REX
- LED indication

Field Changeable Settings:

- Fail Safe/Fail Secure configuration.
- Multi-voltage - will work on 12-24 Vdc systems.
- Handing - left hand and right hand doors
- Selection of free lever or locked lever on both sides of the door
- Key override monitoring either side of the door
- Monitoring contacts – normally closed, normally open (for key override and request to exit only)



3570 Series Electric Mortice Lock

Dimension	Backset		
A	60	89	127
B	100	129	167

Specification Statement

The lock should be capable of operation on voltages between 12 – 24Vdc and have a current consumption not more than 80mA (holding) @12Vdc and 50mA (holding) @24Vdc. Monitored locks must be capable of monitoring the following functions: Key override, door position / reed switch, selectable hub / Request to exit and locking bar status. All monitoring outputs must have the ability to be wired independently. All settings – including: fail safe / fail secure, handing, hub selection must be field configurable.

3570 Series Electric Mortice Lock

Ordering Procedure

Sample part number 3572ELAM2RSC is made up of several sections. Choose your product by selecting an option from each section.

Backset	Series	Lock Functions	Electric Lock	Safety Function	Sub Function	Handing	Finish
3	5	72	EL	A	M2	R	SC

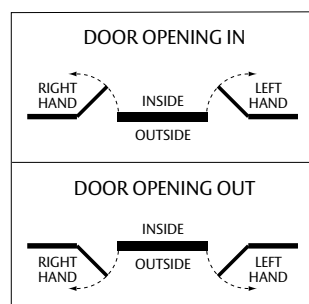
Backset	Lock Function	Safety Function	Handing
60 mm	Primary Lock	Fail Safe (Power to lock)	Right Handed
89 mm	Vestibule Lock	Fail Secure (Power to unlock)	Left Handed
127 mm	Combination Lock		

Series	Electric Lock	Sub Function	Finish
Synergy	Electric Lock	Non-monitored Lock (0 Cylinders)	Satin Chrome
		Non-monitored Lock (1 Cylinders)	
		Non-monitored Lock (1 Cylinder)	
		Non-monitored Lock (2 Cylinders)	
		Fully monitored Lock including KOM (0 Cylinders)	
		Fully monitored Lock including KOM (1 Cylinder)	
		Fully monitored Lock including KOM (2 Cylinders)	

Ordering Notes

- 3570 primary locks can be set to achieve all lock functions post purchase, and should be the preferred option when ordering.
- Customised locks are available upon request and incur an additional surcharge and 10 day lead time.
- See over page for primary lock part numbers.

Handing Chart



Backset Nominate backset as required, e.g. 60mm	3
Series Synergy Series, e.g. 35	35
Lock Function Select function, e.g. Vestibule Lock	3572
Electrical Variant Indicate that this is an Electric Lock	3582EL
Safety Function Select whether lock should be Fail Secure or Fail Safe, e.g. Fail Safe	3572ELA
Monitoring and Key Override Options Select monitoring and cylinders to be supplied, e.g. Monitored Lock with two cylinders	3572ELAM2
Handing Determine left or right handing, e.g. Right Handed	3572ELAM2R
Finish Specify appropriate finish, e.g. Satin Chrome	3572ELAM2RSC

3570 Series Electric Mortice Lock

Primary Electric Mortice Lock Ordering Procedure

Part Number	Cylinders	Product Description - Non-Monitored
3570ELN0SC	No Cylinder	Electric Mortice Lock 3570 Primary Lock 60mm Backset Non Monitored
3570ELN1SC	1 Cylinder	Electric Mortice Lock 3570 Primary Lock 60mm Backset Non Monitored
3570ELN2SC	2 Cylinders	Electric Mortice Lock 3570 Primary Lock 60mm Backset Non Monitored
4570ELN0SC	No Cylinder	Electric Mortice Lock 4570 Primary Lock 89mm Backset Non Monitored
4570ELN1SC	1 Cylinder	Electric Mortice Lock 4570 Primary Lock 89mm Backset Non Monitored
4570ELN2SC	2 Cylinders	Electric Mortice Lock 4570 Primary Lock 89mm Backset Non Monitored
5570ELN0SC	No Cylinder	Electric Mortice Lock 5570 Primary Lock 127mm Backset Non Monitored
5570ELN1SC	1 Cylinder	Electric Mortice Lock 5570 Primary Lock 127mm Backset Non Monitored
5570ELN2SC	2 Cylinders	Electric Mortice Lock 5570 Primary Lock 127mm Backset Non Monitored
Part Number	Cylinders	Product Description - Monitored (hub, deadlatch, solenoid, door position, key override monitoring all as standard)
3570ELM0SC	No Cylinder	Electric Mortice Lock 3570 Primary Lock 60mm Backset Monitored
3570ELM1SC	1 Cylinder	Electric Mortice Lock 3570 Primary Lock 60mm Backset Monitored
3570ELM2SC	2 Cylinders	Electric Mortice Lock 3570 Primary Lock 60mm Backset Monitored
4570ELM0SC	No Cylinder	Electric Mortice Lock 4570 Primary Lock 89mm Backset Monitored
4570ELM1SC	1 Cylinder	Electric Mortice Lock 4570 Primary Lock 89mm Backset Monitored
4570ELM2SC	2 Cylinders	Electric Mortice Lock 4570 Primary Lock 89mm Backset Monitored
5570ELM0SC	No Cylinder	Electric Mortice Lock 5570 Primary Lock 127mm Backset Monitored
5570ELM1SC	1 Cylinder	Electric Mortice Lock 5570 Primary Lock 127mm Backset Monitored
5570ELM2SC	2 Cylinders	Electric Mortice Lock 5570 Primary Lock 127mm Backset Monitored

Ordering Notes

- Primary locks can be set post purchase to achieve all desired lock settings e.g. Fail Safe or Fail Secure, left hand or right hand, combination lock (locked both sides) or vestibule lock (locked outside and free lever inside)
- All locks are multi-voltage 12-24Vdc
- 3570 primary locks (std 60mm backset) with no cylinder are stocked items. All other items are made to order, 10 day lead time.

3570 Series Electric Mortice Lock

Accessories - Rebate Kits

Part Numbers	"A"	Finish
3772-RK32CP	32	Chrome Plate
3772-RK46CP	46	
3772-RK32PB	32	Polished Brass
3772-RK46PB	46	
3772-RK32SS	32	Satin Stainless Steel
3772-RK46SS	46	

Accessories - Long Lipped Strikes

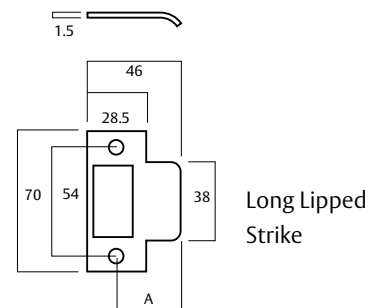
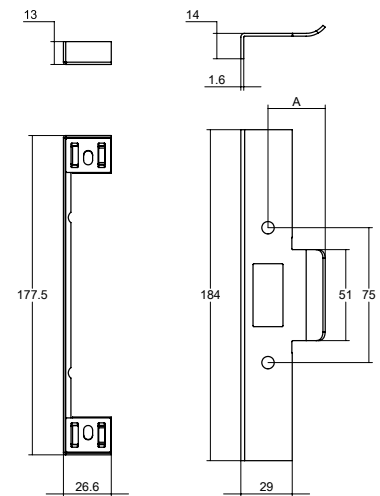
Part Numbers	"A"	Finish
3772-STK43CP	43.5	Chrome Plate
3772-STK47CP	47.5	
3772-STK43PB	43.5	Polished Brass
3772-STK47PB	47.5	
3772-STK43SS	43.5	Satin Stainless Steel
3772-STK47SS	47.5	

Accessories - Cable Accessories

Part Numbers	Finish
SP572-3129	LED assembly to suit 3570/3580 (suits furniture for monitored locks)
SP3570-1055	Extended 7.5M cable (12 wire) to suit 3570 locks
SP3570-5871	9/12 wire adaptor
LC8810	323mm Power Transfer Cable
LC8811	543mm Power Transfer Cable

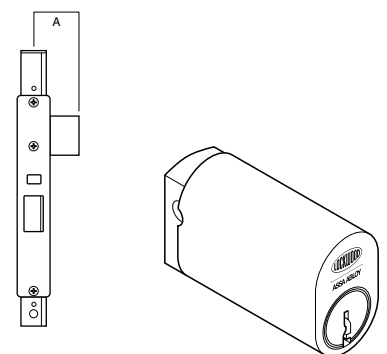
Accessories - Extended Cylinders

"A" Cylinder Projection	Cylinder Length	Recommended Door Thickness
41	37	50 to 60
52	48	60 to 84
64	60	84 to 108
80	76	108 to 132
88	84	132 to 156



Extended Cylinders

Extended cylinders should be considered when door thickness exceeds 50 mm or when the lock is mounted off centre in the door edge. Lockwoods modular cylinder extensions can be used to produce an extended cylinder. Refer to ASSA ABLOY Australia Keying and Restricted Price List for further information.

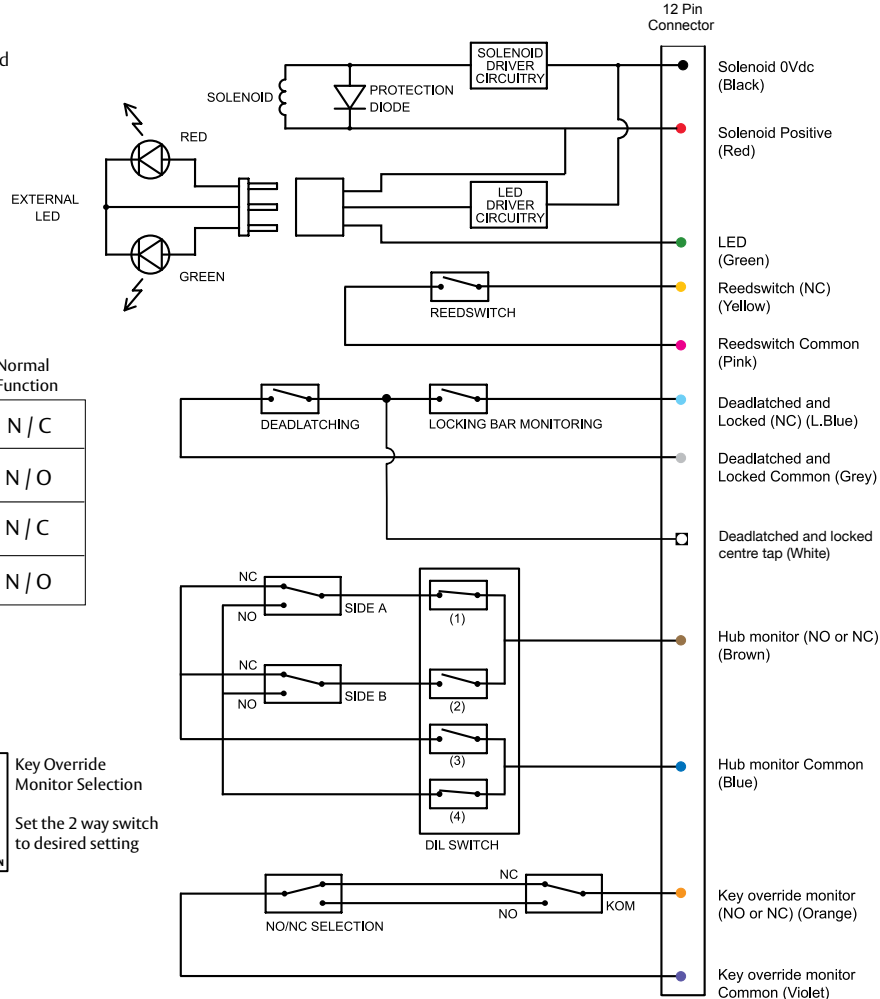


3570 Series Electric Mortise Lock

Electrical Specifications

Circuit Diagram

Note: Diagram depicts fail safe RH opened door, with handle and key in rest state.

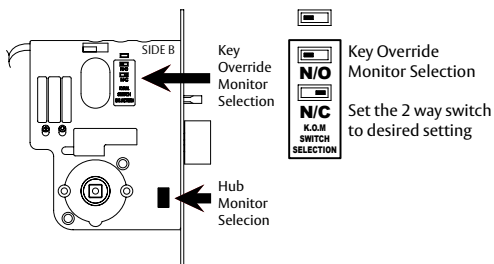


DIL Switch Settings

Hub Monitor

	Switch Number				Lock Side	Normal Function
	1	2	3	4		
ON	■	■	■	■	A	N / C
OFF	□	□	□	□	A	N / O
ON	■	■	■	■	B	N / C
OFF	□	□	□	□	B	N / O

Key Override Monitor Selection



Solenoid Activation

Operating Voltage:

12 - 24Vdc

Operating Current:

500mA (max) 80mA holding @ 12Vdc

275mA (max) 50mA holding @ 24Vdc

For confirmation of the above mentioned operating current, please see installation manual

LED Current

Where LEDs are fitted, add 20mA (max) to total operating current

Monitoring Circuits

Microswitches: 500mA (max) @ 30Vdc each circuit

Reedswitch: 100mA (max) @ 30Vdc

Colour

Function

Black	Solenoid (0Vdc)
Red	Solenoid Positive (12Vdc - 30Vdc)
Green	LED (12Vdc - 30Vdc)
Yellow	Door Closed Reedswitch (NC)
Pink	Door Closed Reedswitch (Common)
Light Blue	Deadlatched and Locked (NC)
Grey	Deadlatched and Locked (Common)
White	Deadlatched and Locked Centre Tap
Brown	Hub Monitor (NO or NC)
Blue	Hub Monitor (Common)
Orange	Key Override Monitor (NO or NC)
Violet	Key Override Monitor (Common)

3579 Series Electric Mortice Lock





Designed and manufactured in Australia, the 3579 Series Electric Mortice is a high performance lock of superior quality. It is constructed from high grade zinc alloy secured between stainless plates making suitable for high security applications.

The 3579 lock can be operated by push buttons, intercom systems and key switches; or integrated with electronic access control systems for use with higher security devices such as keypads or card readers.

Product Details

Voltage	12Vdc - 24Vdc Operating Voltage
Current	500mA (max) 80mA holding @ 12Vdc 275mA (max) 50mA holding @ 24Vdc
LED Current	When LED's are fitted, add 15mA (max) to total current draw
Monitoring	Dual Key override Deadlatched Locked Door closed Request to exit Microswitches: 500mA (max) @ 30Vdc each circuit. Reedswitch: 100mA (max) @ 30Vdc
Environment	Operational temperature range -20c to +60c
Case/Cover	High purity Zinc alloy construction with Stainless Steel plates
Backset	60mm standard, 89 & 127mm available
Latch Bolts	Reversible with Stainless Steel construction
Door Clearance	3 - 6.5mm
Door Thickness	Standard applications 32 to 50mm
Cylinder	Standard Lockwood oval shaped cylinders
Cabling	1.6 metre length of cable with 12 pin socket supplied with each lock. Recommended cable: 18AWG (0.82mm ²) cable runs up to 30m
Furniture	Compatible with Lockwood series door furniture
Standard Finishes	Satin Chrome (SC) standard

Standards and Compliance

SL8	Australian Lock Standard (AS4145.2.2008) (when used with equivalent security level keying system)
D8	(Durability) Australian Lock Standard (AS4145.2.2008)
	Successfully fire rated up to 4hrs on fire door assemblies in accordance with AS1905.1. 2005 (Part 1: Fire resistant door sets)
	RCM Certified
	SCEC Endorsed for SL3 Medium Threat Level Areas

3579 Series Electric Mortice Lock

Key Features

Designed with flexibility in mind, the one lock can cover all functions and is easily configured on site for the required application.

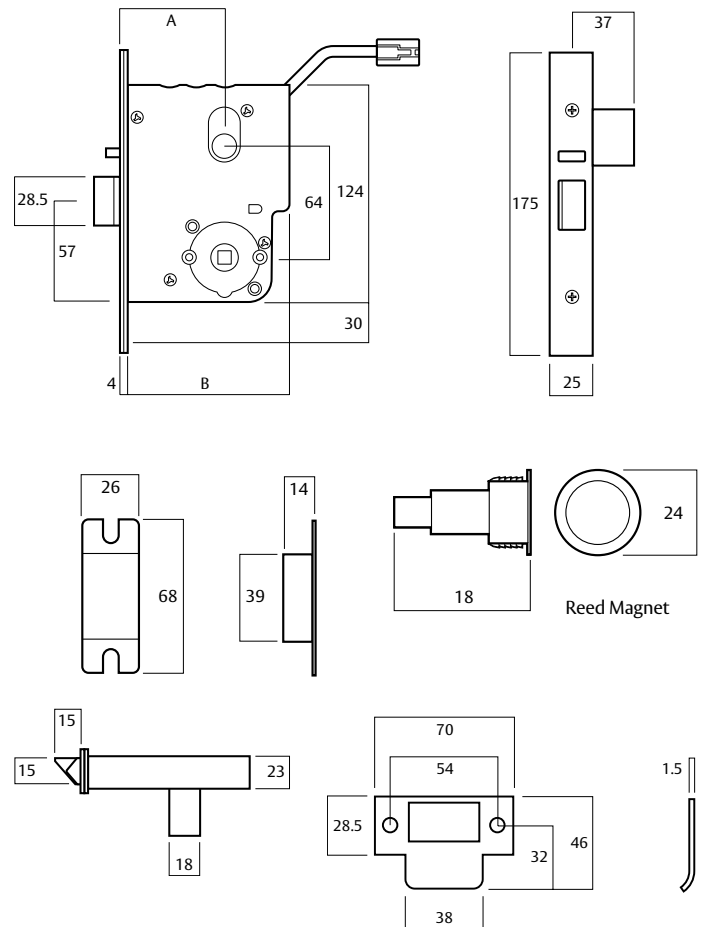
- Stainless Steel Latch and Faceplate
- Stainless Steel Plates that encapsulate the body against attempted vandalism
- Available in Monitored versions only

Monitoring Features

- Dead latched and Locked
- Door position/Reed switch
- Dual key override monitoring
- Request to exit/REX
- LED indication

Field Changeable Settings

- Fail safe/fail secure configuration.
- Multi-voltage - will work on 12-24 Vdc systems.
- Handing - left hand and right hand doors
- Selection of free lever or locked lever on both sides of the door
- Key override monitoring either side of the door
- Monitoring contacts – normally closed, normally open (for key override and request to exit only)



3579 Series Electric Mortice Lock Ordering Procedure

Part Number	Product Description
3579ELM0SC	Electric Mortice Lock 3579 Primary Lock 60mm Monitored
4579ELM0SC	Electric Mortice Lock 4579 Primary Lock 89mm Monitored
5579ELM0SC	Electric Mortice Lock 5579 Primary Lock 127mm Monitored

Specification Statement

The lock body should be encapsulated with Stainless Steel. The lock should be capable of operation on voltages between 12 – 24Vdc and have a current consumption not more than 80mA (holding) @12Vdc and 50mA (holding) @24Vdc. Monitored locks must be capable of monitoring the following functions: Key override, door position / reed switch, selectable hub / Request to exit and locking bar status. All monitoring outputs must have the ability to be wired independently. All settings – including: fail safe / fail secure, handing, hub selection must be field configurable.

3579HS Series Electric Mortice Lock





Designed and manufactured in Australia, the 3579HS Series Electric Mortice is designed for unique applications where Fail Secure functionality is required externally with Fail Safe functionality on the inside. To achieve this function the lock must be used in conjunction with an electric strike.

The 3579HS is constructed from the same material as the 3579 counterpart.

Product Details

Voltage	12Vdc - 24Vdc Operating Voltage
Current	500mA (max) 80mA holding @ 12Vdc 275mA (max) 50mA holding @ 24Vdc
LED Current	When LED's are fitted, add 15mA (max) to total current draw
Monitoring	Dual Key override Deadlatched Locked Door closed Request to exit Microswitches: 500mA (max) @ 30Vdc each circuit. Reedswitch: 100mA (max) @ 30Vdc
Environment	Operational temperature range -20c to +60c
Case/Cover	High purity Zinc alloy construction with Stainless Steel plates
Backset	60mm standard, 89 & 127mm available
Latch Bolts	Reversible with Stainless Steel construction
Door Clearance	3 - 6.5mm
Door Thickness	Standard applications 32 to 50mm
Cylinder	Standard Lockwood oval shaped cylinders
Cabling	1.6 metre length of cable with 12 pin socket supplied with each lock. Recommended cable: 18AWG (0.82mm ²) cable runs up to 30m
Furniture	Compatible with Lockwood series door furniture
Standard Finishes	Satin Chrome (SC)

Standards and Compliance

SL8	Australian Lock Standard (AS4145.2.2008) (when used with equivalent security level keying system)
D8	(Durability) Australian Lock Standard (AS4145.2.2008)
	Successfully fire rated up to 4hrs on fire door assemblies in accordance with AS1905.1. 2005 (Part 1: Fire resistant door sets)
	RCM Certified
	SCEC Endorsed for SL3 Medium Threat Level Areas

3579HS Series Electric Mortice Lock

Key Features

Designed with flexibility in mind, the one lock can cover all functions and is easily configured on site for the required application.

- Stainless Steel Latch and Faceplate
- Stainless Steel Plates that encapsulate the body against attempted vandalism
- Available in Monitored versions only

Monitoring Features

- Dead latched and Locked
- Door position/Reed switch
- Dual key override monitoring
- Request to exit/REX
- LED indication

Field Changeable Settings

- Fail safe/fail secure configuration.
- Multi-voltage - will work on 12-24 Vdc systems.
- Handing - left hand and right hand doors
- Selection of free lever or locked lever on both sides of the door
- Key override monitoring either side of the door
- Monitoring contacts – normally closed, normally closed

Note: This lock is designed to operate in conjunction with an electric strike. The lock will never unlock electrically from the external side.

Lock Functions

The 3579HS Series Lock is designed to provide internal emergency egress on doors whereby the door remains secure on the outside in the event of a fire alarm or break glass event.

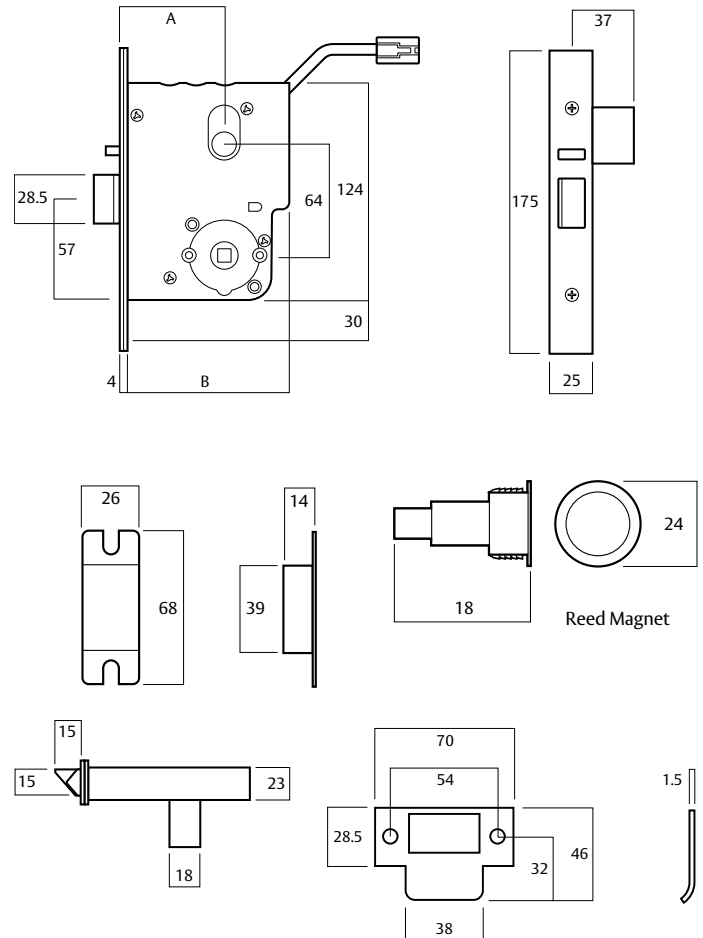
A typical door set up would include the following hardware:

- Proximity readers on both sides of the door to gain access either way
- 3579HS Electric Mortice Lock set to Fail Safe inside. Note the lock remains in the locked state (externally) 100% of the time if power is applied or not.
- Electric strike set to fail secure
- Break glass or Fire Panel connected to the mortice lock only

To enter or exit the door the user would swipe a proximity card to the reader. Upon authorisation from the EAC panel the electric strike would unlock, allowing the user to open the door. The electric mortice lock does not change state.

In the event of an emergency (fire alarm or break glass activation), power is cut to the electric mortice lock & places it in a fail safe mode on the internal side only. The mortice lock remains in a Fail Secure state on the external side.

Note: The 3579HS Series Lock can never be electrically unlocked from the outside. A secondary locking device (electric strike) must be used in conjunction with this lock.



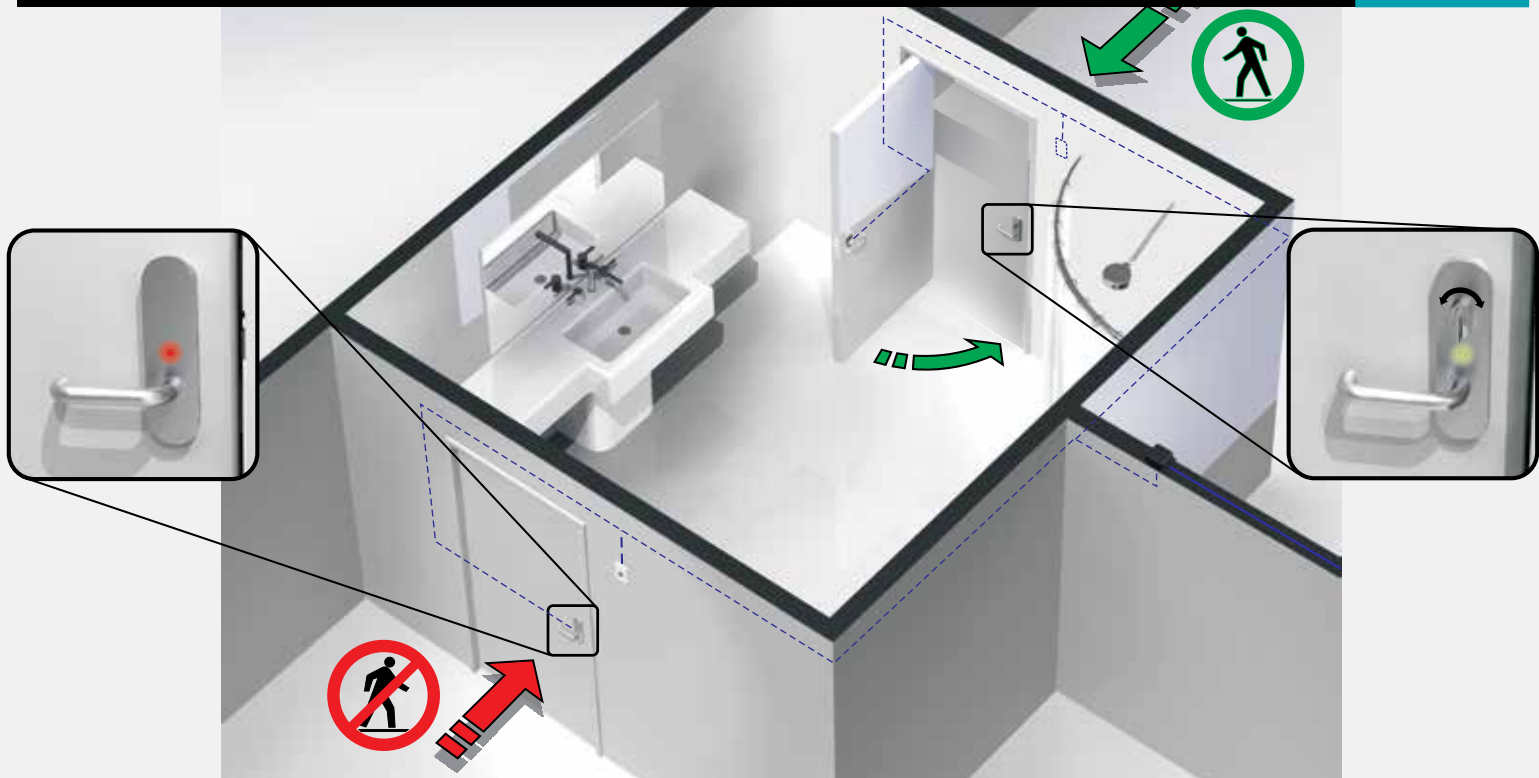
3579 Series Electric Mortice Lock Ordering Procedure

Part Number	Product Description
3579HSELM0SC	High Security Elec Mortice 3579HS Primary Lock 60 mm
4579HSELM0SC	High Security Elec Mortice 3579HS Primary Lock 89 mm
5579HSELM0SC	High Security Elec Mortice 3579HS Primary Lock 127 mm

Specification Statement

The lock body should be encapsulated with Stainless Steel. The lock should be capable of operation on voltages between 12 – 24Vdc and have a current consumption not more than 80mA (holding) @12Vdc and 50mA (holding) @24Vdc. Monitored locks must be capable of monitoring the following functions: Key override, door position / reed switch, selectable hub / Request to exit and locking bar status. All monitoring outputs must have the ability to be wired independently. All settings – including: fail safe / fail secure, handing, hub selection must be field configurable. The lock must be capable of operating in fail safe mode internally and fail secure mode externally when used in conjunction with an electric strike.

Hi-O Room Guard Locking System



The Room Guard Locking System is based on state of the art Hi-O technology platform developed by ASSA ABLOY.

Bringing a new dimension to electronic locking systems as we know them today, the Hi-O platform has enabled this unique product offering that is designed for ease of use and simplified installation.

The system provides electronic lock control of multiple doors for any room requiring privacy by the occupants. The most common applications are shared bathrooms in hospitals and conference rooms with dual entries. The intelligence is embedded in the locking devices themselves, resulting in a plug and play system without the need for a door controller to lock and unlock the door; therefore extremely easy to install and cost effective.

Key Features

- One touch privacy
- All components supplied in one neat kit
- Plug and Play connectivity
- No requirement for external door controller or EAC system
- Fast, accurate and cost effective installation

Applications

- Shared bathrooms
- Conference rooms
- Laboratories

Function

Locking the door

- Enter either door and close door
- Activate internal turn knob
- Both doors automatically lock - outside
- External handles indicate red (locked)

To unlock/exit

- Activate internal lever on either door
- Both doors automatically unlock
- External handles indicate green (unlocked)

Note: In the event of an emergency, the doors may be unlocked externally via emergency override switches if fitted.

Standards and Compliance



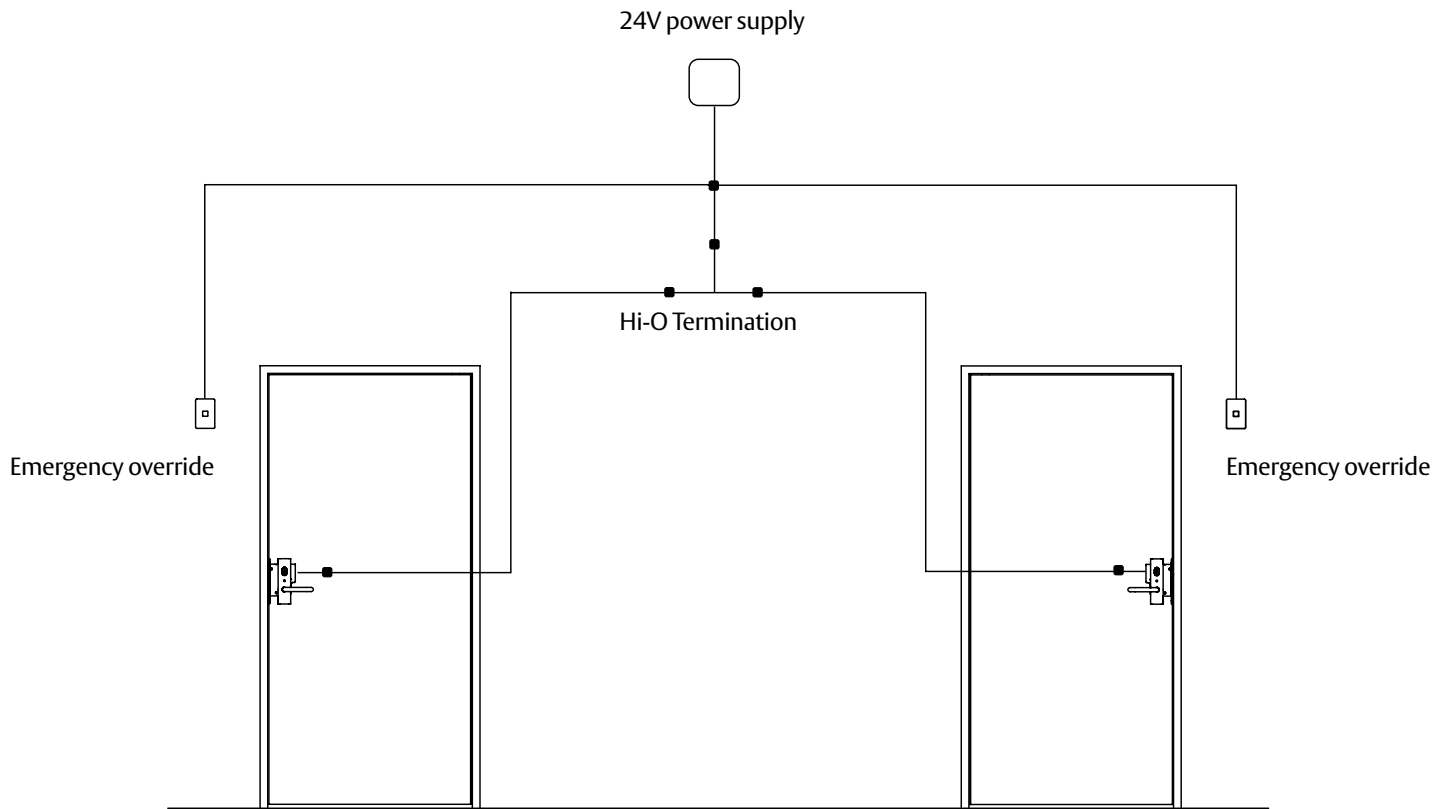
Successfully fire rated up to 4 hours on fire door assemblies in accordance with AS1905.1. 2005



RCM Certified

Hi-O Room Guard Locking System

Two Door Installation Layout



Installation Overview

The Room Guard Locking System does not require an external door controller to lock or unlock the door. The Electric Mortice Locks are simply plugged together, connected to the emergency override switches and then plugged into the power supply.

Note: The use of emergency override switches may not be required. In that case, the power supply is connected directly to mortice locks.

Hi-O Room Guard Locking System

Ordering Information

Part Number	Product Description
3570ELHRG0SC	Hi-O Room Guard Mortice Lock
EA280	Power Transfer
RG3SC	Room Guard Turn Knob Assembly
HPS-24VDC	24Vdc Power supply unit
HLM-004	4 Way Adaptor
HLM-018	Override Switch Wire – 15M
HLM-008	8M Extension Cable
HLM-011	Terminal Strip Adaptor (PAIR)
HLM-012	Hi-O Termination Socket
HPM-SW1	Emergency Switch
HPM-FP1	Faceplate for Emergency Switch

Room Guard Kit - Contents

Contents	Qty
Hi-O Room Guard Mortice Lock	2
Power Transfer	2
Room Guard Turn Knob Assembly	2
24Vdc Power supply unit	1
4 Way Adaptor	1
Override Switch Wire – 15M	2
8M Extension Cable	2
Terminal Strip Adaptor (PAIR)	1
Hi-O Termination Socket	1
Emergency Switch	2
Faceplate for Emergency Switch	2

Accessories Ordering Information

Part Number	Product Description
3570HRGKIT	Room Guard Kit – 2 doors
1822/70SC	Exterior door furniture with LED
1920/70SC	Interior door furniture

Ordering Information

The Room Guard Kit contains all necessary components and power supply to install a two door system. The door furniture must be ordered separately.

1. Order Room Guard two door kit
2. Order door furniture for two doors

Additional Information

- For alternative door furniture options and finishes, refer to Lockwood Product Catalogue Section 3.70 – Plate Door Furniture
- Locks are designed to work in fail safe mode
- Locks are non handed and can be configured on site

3580 Series Electric Mortice Lock



Designed and manufactured in Australia, the 3580 Series Electric Mortice Lock is a high performance lock of superior quality. It is constructed from high grade zinc alloy, with a stainless steel latch bolt and face plate and is suited for all commercial applications.

The lock can be operated by push buttons, intercom systems and key switches or integrated with electronic access control systems for use with higher security devices such as keypads or card readers.

The 3580 Series is available in a wide variety of configurations to suit varying requirements and is especially suited to narrow style or short backset applications.

Key Features

Available in non monitored and monitored versions.

Monitoring features:

- Dead latched
- Door position/reed switch
- Key override
- Request to exit/REX

Available configurations:

- Fail Safe or Fail Secure
- 12Vdc or 24Vdc
- Field changeable monitoring contacts – normally closed, normally open
- Field changeable handing – left hand and right hand doors
- Selection of free lever or locked lever on both sides of the door
- Key override monitoring
- LED indication

Standards and Compliance

S2 (Security) Australian Lock Standard (AS4145.2.1993)

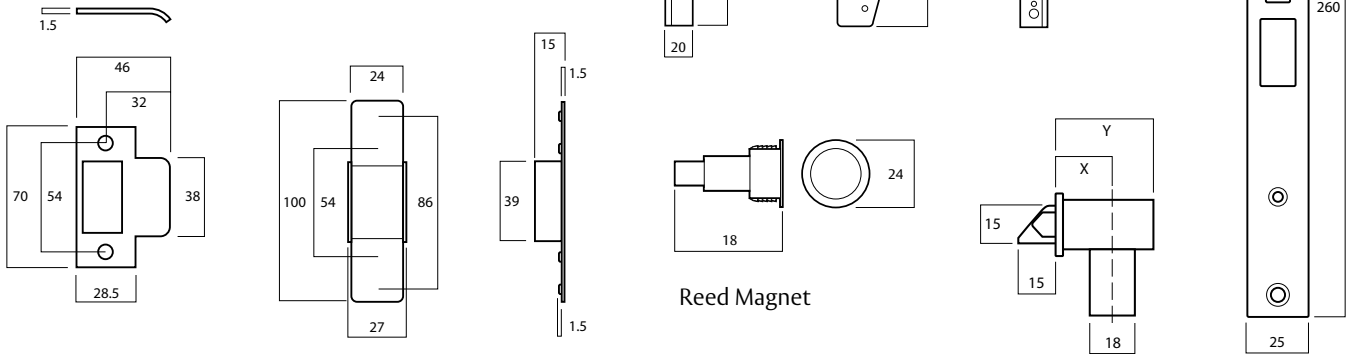
D3 (Durability) Australian Lock Standard (AS4145.2.1993)

 RCM Certified

Product Details

Voltage	Available in 12Vdc - 24Vdc
Current	12Vdc \pm 5% 250mA (max) 24Vdc \pm 5% 125mA (max)
LED Current	When LEDs are fitted, add 15mA (max) to total current draw
Monitoring	Key override Deadlatched and door closed Request to exit Hub/deadlatch/key override monitor: max ratings 500mA @ 30Vdc Door status monitor: max ratings 3W, 250mA (max) @ 12Vdc, 125mA (max) @ 24Vdc
Environment	Operational temperature range -20°C to +60°C
Case/Cover	High purity zinc alloy construction
Backset	23mm standard, 25.4, 30 and 38 mm extended available
Latch bolts	15mm stainless steel construction
Door Clearance	3 - 6.5 mm
Door thickness	Standard applications 32 to 50mm Extension kits available
Cylinder	Standard Lockwood oval shaped cylinders 3.6 metre length of cable with 9 pin socket supplied with each lock
Cabling	Recommended cabling: 18AWG (0.82mm ²) cable runs up to 30m
Furniture	Compatible with Lockwood 4800 and 5800 Series Brass door furniture
Finishes	Satin Chrome (SC) standard

3580 Series Electric Mortise Lock



Reed Magnet

Limiting Dimensions

Dimensions Backset

	X	23	25.4	30	38
Y		36.4	39	43.6	51.7

Specification Statement

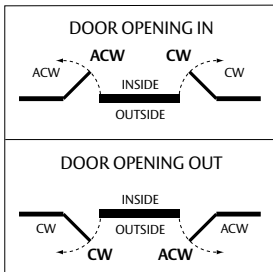
The lock should be capable of operation on voltages of 12 or 24Vdc and have a current consumption not more than 250mA (max) @12Vdc and 125mA (max) @24Vdc. Monitored locks must be capable of monitoring the following functions: key override, door position/reed switch and independent hub/request to exit. All monitoring outputs must have the ability to be wired independently. The lock must be capable of operating Fail Safe or Fail Secure, left or right hand and have field configured hub selection.

3580 Series Electric Mortise Lock

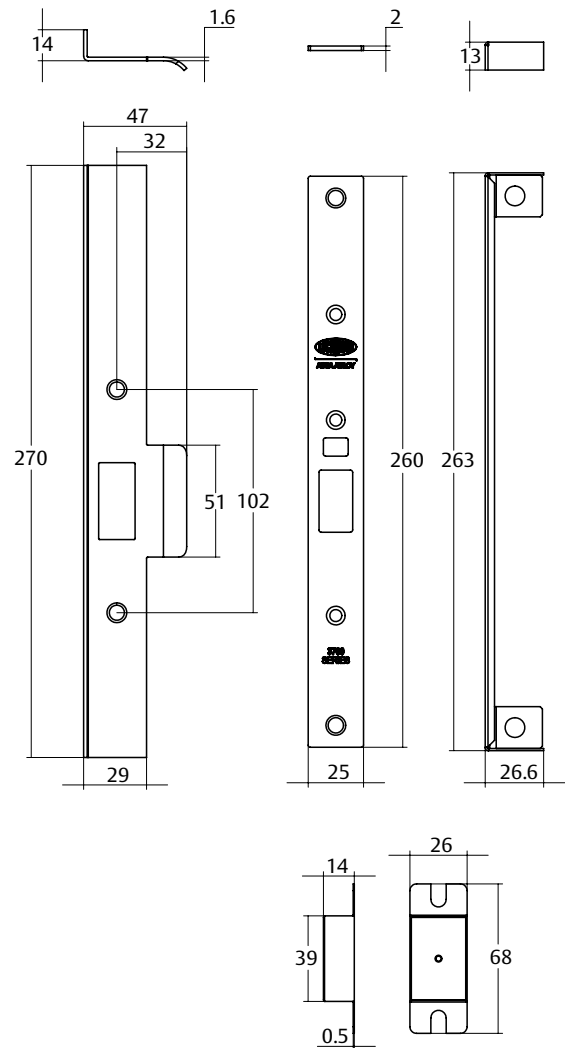
Accessories - Rebate Kits

Finish	Anti-clockwise	Clockwise
Satin Stainless Steel	5782-RKACWSS	5782-RKCWSS
Chrome Plate	5782-RKACWCP	5782-RKCWCP
Polished Brass	5782-RKACWPB	5782-RKCWPB

Rebate kits to suit 13 mm rebated timber doors with a minimum backset of 30 mm include an adaptor to mount the lock and a special strike plate. Handing of the rebate kits is determined by the opening movement of the door on which the lock is fitted.



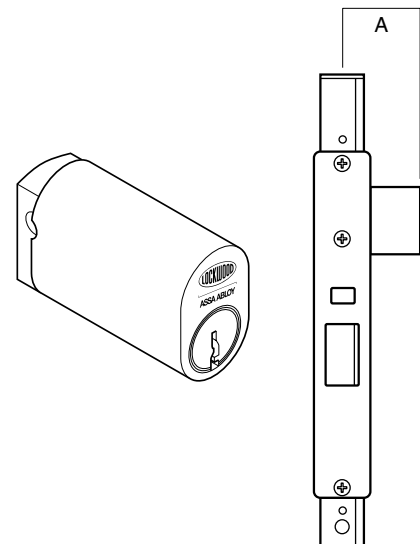
- CW Left Hand open in
(Clockwise) Right Hand open out
- ACW Left Hand open out
(Anti-Clockwise) Right Hand open in



Accessories - Extended Cylinders

"A" Cylinder Projection	Cylinder Length	Recommended Door Thickness
41	37	50 to 60
52	48	60 to 48
64	60	84 to 108
80	76	108 to 132
88	84	132 to 156

Extended cylinders should be considered when door thickness exceeds 50 mm or when the lock is mounted off centre in the door edge. A range of cylinders is available to suit various door thicknesses. Refer to ASSA ABLOY Australia Keying and Restricted Price List for further information.

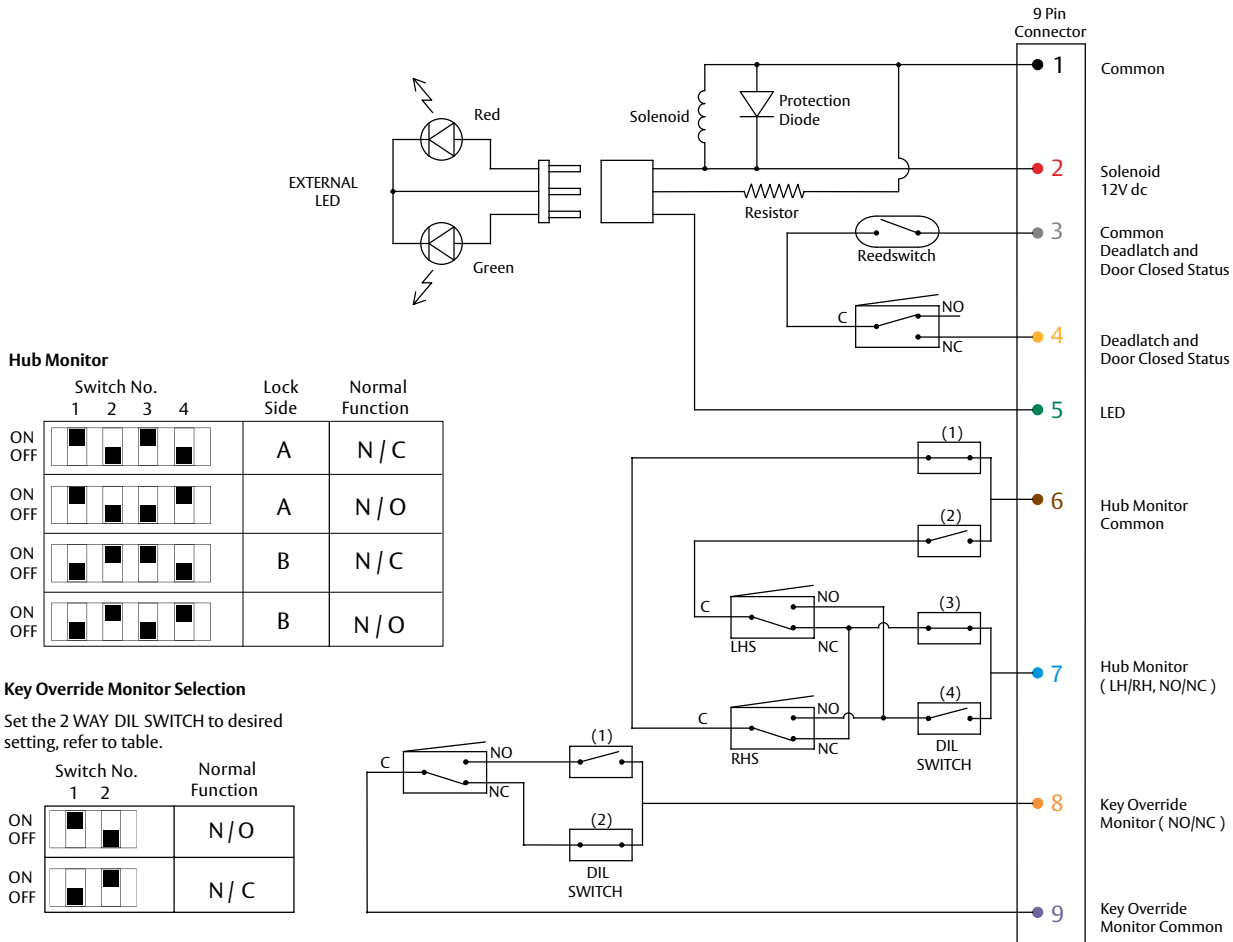


3580 Series Electric Mortise Lock

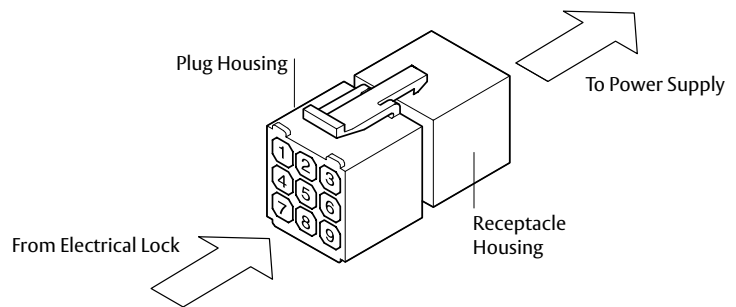
Electrical Specifications

Circuit Diagram

Note: Diagram depicts fail safe 12V RH opened door, with handle and key in rest state.



Pin	Colour	Function
1	Black	Common (0Vdc)
2	Red	Solenoid (12Vdc or 24Vdc)
3	Grey	Deadlatch and Door Closed Status (common)
4	Yellow	Deadlatch and Door Closed Status
5	Green	LED
6	Brown	Hub Monitor (common)
7	Blue	Hub Monitor (RH/LH, NO/NC)
8	Orange	Key Override Monitor (NO/NC)
9	Violet	Key Override Monitor (common)



Power Transfer Lead Covers



The LC8810 and LC8811 Power Transfer Lead Covers are designed to ensure unbroken transfer of wires between door and frame in electric locking situations.

Features

- Provides unbroken connection from controller to lock, for cable up to 8 mm diameter
- Vandal-resistant chrome plated flexible steel
- Completely concealed when the door is closed

Applications

LC8810

The LC8810 is a shorter unit suitable for hinged doors which open to 90° (maximum of 120°).

LC8811

The LC8811 is designed for use on doors which open more than 120°, or have a gap from pin hinge to door frame of more than 20 mm.

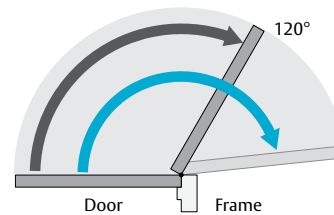
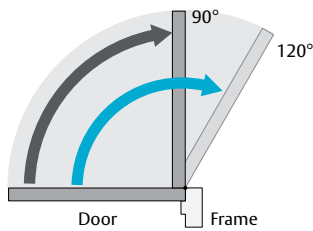
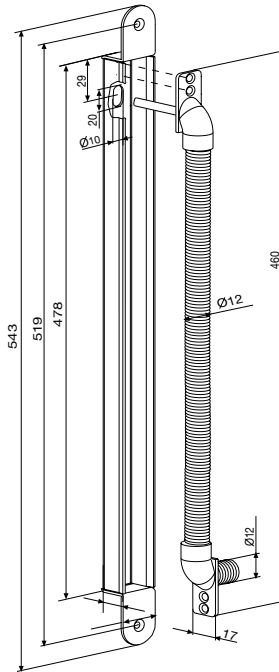
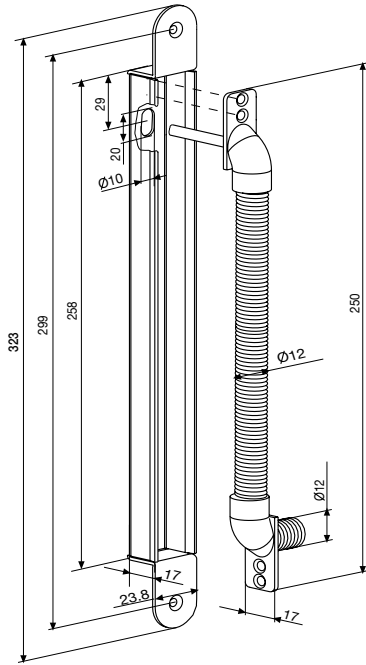
Note: Not suitable for centrally pivoted doors.

Standards and Compliance



Successfully fire rated up to 4 hours on fire door assemblies in accordance with AS1905.1.2005 (Part 1: Fire Resistant Doorsets)

Power Transfer Lead Covers



LC8810

The LC8810 is a shorter unit suitable for hinged doors which open to 90° (maximum of 120°).

LC8811

The LC8811 is designed for use on doors which open more than 120°, or have a gap from pin hinge to door frame of more than 20 mm.

Note: Not suitable for centrally pivoted doors.

Ordering Information

Part Number	Product Description
LC8810	323mm Power Transfer Cable
LC8811	543mm Power Transfer Cable

**We take the worry out of
protecting what's valuable to you.**
Lockwood: *no worries*[®]



ASSA ABLOY

Lockwood is the leading brand in the Australian locking industry. With an established reputation for high quality products, this iconic brand provides a wide range of locking solutions to residential housing, commercial building and industrial application markets. Lockwood is supported by an extensive distribution and after-sales support network. Our customers include retailers, architects, trade and industrial personnel, locksmiths and security dealers.

ASSA ABLOY is the global leader in door opening solutions, dedicated to satisfying end-user needs for security, safety and convenience.

ASSA ABLOY is represented in all major regions, in both mature and emerging markets, with leading positions in Australia, Europe and North America.



PADDE SERIES

The 5 Year Tricare Warranty

Our belief that we manufacture the finest premium products available in today's market place is backed by the 5 Year Tricare Warranty, ensuring that Lockwood continues to keep Australians safe by delivering security and peace of mind.



The Lockwood 25 Year Mechanical Warranty

Our belief that we manufacture the finest premium products available in today's market place is backed by the Lockwood 25 Year Mechanical Warranty, ensuring that Lockwood continues to keep Australians safe by delivering security and peace of mind.

For warranty terms and conditions, please visit www.lockweb.com.au or call **1300WARRANTY**

ASSA ABLOY Opening Solutions Australia
235 Huntingdale Road
Oakleigh, Victoria, 3166
Australia

1300 LOCK UP (1300 562 587)
lockweb.com.au

Disclaimer

Whilst every effort has been made to ensure that the information (including product images and drawings) contained in this brochure is accurate at the time of publication, ASSA ABLOY Australia Pty Limited ("ASSA ABLOY") recommends that you consult ASSA ABLOY or its agents prior to placing an order to ascertain current information on specific products, as ASSA ABLOY reserves the right to make changes without notice. ASSA ABLOY will not be liable for any injury, loss or damage whatsoever, arising from any errors or omissions in the information contained in the brochure or arising from the use or application of the information contained herein. © 2022 copyright by ASSA ABLOY All rights reserved

