

Electric Mortise Locks



We take the worry out of
protecting what's valuable to you.
Lockwood: *no worries*[®]

LOCKWOOD

ASSA ABLOY

25YEAR

**MECHANICAL
WARRANTY**

www.lockweb.com.au

Contents



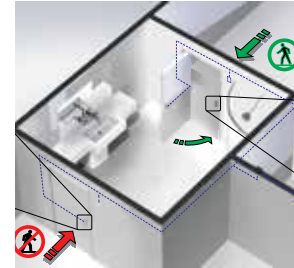
3570 Series
Electric Mortice Lock
page 3



3579 Series
Electric Mortice Lock
page 9



3579HS Series
Electric Mortice Lock
page 11



Hi-O Room Guard
Locking System
page 13



Selector® 3782EL
Short Backset Electric
Mortice Locks
page 16



Power Transfer Lead
page 26

3570 Series Electric Mortice Lock



Designed and manufactured in Australia, the 3570 series electric mortice is a high performance lock of superior quality. It is constructed from high grade zinc alloy, with a stainless steel latch bolt and face plate and is suited for all commercial applications.

The lock can be operated by push buttons, intercom systems and key switches; or integrated with electronic access control systems for use with higher security devices such as keypads or card readers.

Standards and Compliance

S8

(Security) Australian Lock Standard (AS4145.2.2008) (when used with equivalent security level keying system)

D8

(Durability) Australian Lock Standard (AS4145.2.2008)



Successfully fire rated up to 4hrs on fire door assemblies in accordance with AS1905.1. 2005 (Part 1: Fire resistant door sets)



C-Tick Certified

SCEC Endorsed for SL3 Medium Threat Level Areas

Product Details

Voltage	12VDC - 24VDC Operating Voltage
Current	500mA (max) 80mA holding @ 12VDC 275mA (max) 50mA holding @ 24VDC
LED Current	When LED's are fitted, add 15mA (max) to total current draw
Monitoring	Dual Key override Deadlatched Locked Door closed Request to exit Microswitches: 500mA (max) @ 30VDC each circuit Reedswitch: 100mA (max) @ 30VDC
Environment	Operational temperature range -20c to +60c
Case/Cover	High purity Zinc alloy construction
Backset	60mm standard, 89 & 127 mm available
Latch Bolts	Reversible with Stainless Steel construction
Door Clearance	3 - 6.5 mm
Door Thickness	Standard applications 32 to 50mm
Cylinder	Standard Lockwood oval shaped cylinders
Cabling	1.6 metre length of cable with 12 pin socket supplied with each lock. Recommended cable: 18AWG (0.82mm ²) cable runs up to 30m
Furniture	Compatible with Lockwood series door furniture
Standard Finishes	Satin Chrome (SC) standard.

3570 Series Electric Mortice Lock

Key Features

Designed with flexibility in mind, the one lock can cover all functions and is easily configured on site for the required application.

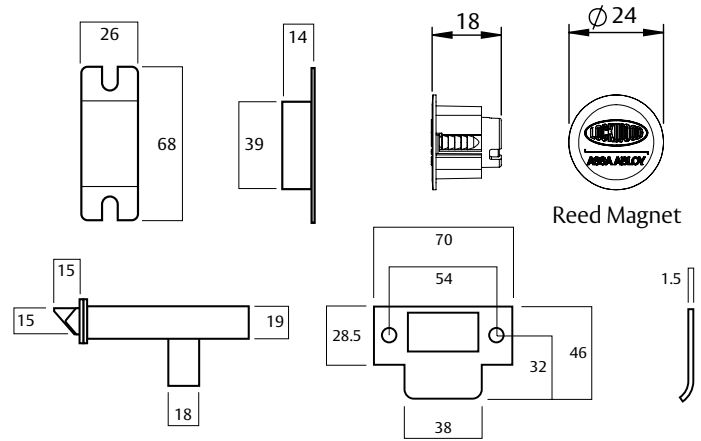
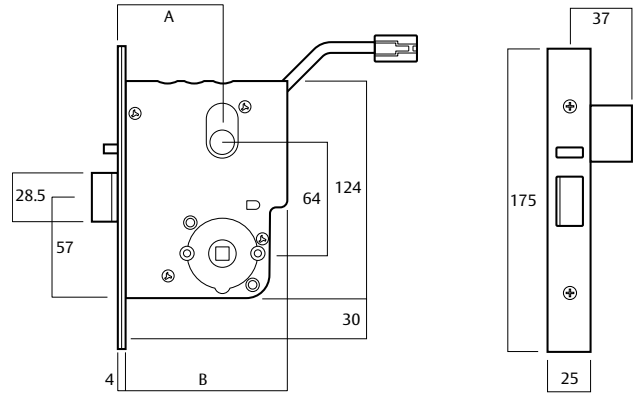
Available in non monitored and monitored versions.

Monitoring Features:

- Dead latched and Locked
- Door position/Reed switch
- Dual key override monitoring
- Request to exit/REX
- LED indication

Field Changeable Settings:

- Fail safe/fail secure configuration.
- Multi-voltage - will work on 12-24 VDC systems.
- Handing - left hand and right hand doors
- Selection of free lever or locked lever on both sides of the door
- Key override monitoring either side of the door
- Monitoring contacts – normally closed, normally open (for key override and request to exit only)



3570 Series Electric Mortice Lock

Dimension	Backset		
A	60	89	127
B	100	129	167

Specification Statement

The lock should be capable of operation on voltages between 12 – 24VDC and have a current consumption not more than 80mA (holding) @12VDC and 50mA (holding) @24VDC. Monitored locks must be capable of monitoring the following functions: Key override, door position / reed switch, selectable hub / Request to exit, & locking bar status. All monitoring outputs must have the ability to be wired independently. All settings – including: fail safe / fail secure, handing, hub selection must be field configurable.

3570 Series Electric Mortice Lock

Ordering Procedure

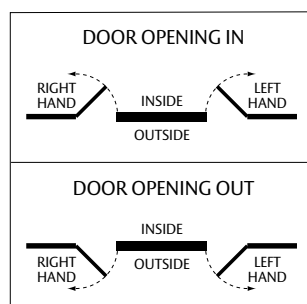
Sample part number 3572ELAM2RSC is made up of several sections. Choose your product by selecting an option from each section.

Backset	Fixing	Lock Functions	Electric Lock	Safety Function	Sub Function	Handing	Finish
3	5	72	EL	A	M2	R	SC
Backset	Lock Function	Safety Function	Handing				
60 mm	3	Primary Lock	70	Fail Safe (Power to lock)	A	Right Handed	R
89 mm	4	Vestibule Lock	72	Fail Secure (Power to unlock)	E	Left Handed	L
127 mm	5	Combination Lock	74				
Fixing	Electric Lock	Sub Function	Finish				
Standard	5	Electric Lock	EL				
				Sub Function			
				Non-monitored Lock (0 Cylinders)	N0		
				Non-monitored Lock (1 Cylinders)	N1		
				Non-monitored Lock (1 Cylinder)	N1		
				Non-monitored Lock (2 Cylinders)	N2		
				Fully monitored Lock including KOM (0 Cylinders)	M0		
				Fully monitored Lock including KOM (1 Cylinder)	M1		
				Fully monitored Lock including KOM (2 Cylinders)	M2		

Ordering Notes

- 3570 primary locks can be set to achieve all lock functions post purchase, and should be the preferred option when ordering.
- Customised locks are available upon request and incur an additional surcharge and 10 day lead time.
- See over page for primary lock part numbers.

Handing Chart



Backset Nominate backset as required, e.g. 60mm	3
Fixing Select the desired fixing method, e.g. Standard Fixing 35	35
Lock Function Select function, e.g. Vestibule Lock	3572
Electrical Variant Indicate that this is an Electric Lock	3582EL
Safety Function Select whether lock should be Fail Secure or Fail Safe, e.g. Fail Safe	3572ELA
Monitoring and Key Override Options Select monitoring and cylinders to be supplied, e.g. Monitored Lock with two cylinders	3572ELAM2
Handing Determine left or right handing, e.g. Right Handed	3572ELAM2R
Finish Specify appropriate finish, e.g. Satin Chrome	3572ELAM2RSC

3570 Series Electric Mortice Lock

Primary Electric Mortice Lock Ordering Procedure

Part Number	Cylinders	Product Description - Non-Monitored
3570ELN0SC	No Cylinder	Electric Mortice Lock 3570 Primary Lock 60 mm Backset Non Monitored
3570ELN1SC	1 Cylinder	Electric Mortice Lock 3570 Primary Lock 60 mm Backset Non Monitored
3570ELN2SC	2 Cylinders	Electric Mortice Lock 3570 Primary Lock 60 mm Backset Non Monitored
4570ELN0SC	No Cylinder	Electric Mortice Lock 4570 Primary Lock 89mm Backset Non Monitored
4570ELN1SC	1 Cylinder	Electric Mortice Lock 4570 Primary Lock 89 mm Backset Non Monitored
4570ELN2SC	2 Cylinders	Electric Mortice Lock 4570 Primary Lock 89 mm Backset Non Monitored
5570ELN0SC	No Cylinder	Electric Mortice Lock 5570 Primary Lock 127 mm Backset Non Monitored
5570ELN1SC	1 Cylinder	Electric Mortice Lock 5570 Primary Lock 127 mm Backset Non Monitored
5570ELN2SC	2 Cylinders	Electric Mortice Lock 5570 Primary Lock 127 mm Backset Non Monitored
Part Number	Cylinders	Product Description - Monitored (hub, deadlatch, solenoid, door position, key override monitoring all as standard)
3570ELM0SC	No Cylinder	Electric Mortice Lock 3570 Primary Lock 60 mm Backset Monitored
3570ELM1SC	1 Cylinder	Electric Mortice Lock 3570 Primary Lock 60 mm Backset Monitored
3570ELM2SC	2 Cylinders	Electric Mortice Lock 3570 Primary Lock 60 mm Backset Monitored
4570ELM0SC	No Cylinder	Electric Mortice Lock 4570 Primary Lock 89 mm Backset Monitored
4570ELM1SC	1 Cylinder	Electric Mortice Lock 4570 Primary Lock 89 mm Backset Monitored
4570ELM2SC	2 Cylinders	Electric Mortice Lock 4570 Primary Lock 89 mm Backset Monitored
5570ELM0SC	No Cylinder	Electric Mortice Lock 5570 Primary Lock 127 mm Backset Monitored
5570ELM1SC	1 Cylinder	Electric Mortice Lock 5570 Primary Lock 127 mm Backset Monitored
5570ELM2SC	2 Cylinders	Electric Mortice Lock 5570 Primary Lock 127 mm Backset Monitored

Ordering Notes

- Primary locks can be set post purchase to achieve all desired lock settings e.g. fail safe or fail secure, left hand or right hand, combination lock (locked both sides) or vestibule lock (locked outside and free lever inside)
- All locks are multi-voltage 12-24VDC
- 3570 primary locks (std 60mm backset) with no cylinder are stocked items. All other items are made to order, 10 day lead time.

3570 Series Electric Mortice Lock

Accessories - Rebate Kits

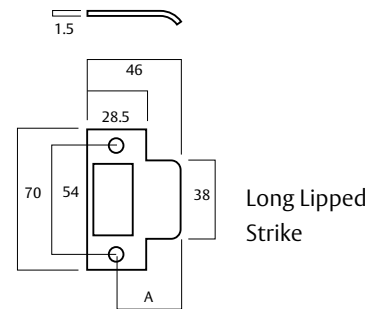
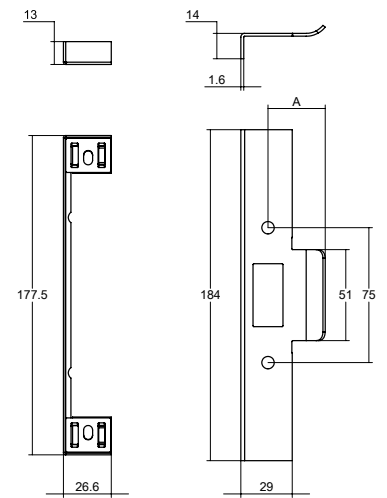
Part Numbers	"A"	Finish
3772-RK32CP 3772-RK46CP	32 46	Chrome Plate
3772-RK32PB 3772-RK46PB	32 46	Polished Brass
3772-RK32SS 3772-RK46SS	32 46	Satin Stainless Steel

Accessories - Long Lipped Strikes

Part Numbers	"A"	Finish
3772-STK43CP 3772-STK47CP	43.5 47.5	Chrome Plate
3772-STK43PB 3772-STK47PB	43.5 47.5	Polished Brass
3772-STK43SS 3772-STK47SS	43.5 47.5	Satin Stainless Steel

Accessories - Cable Accessories

Part Numbers	Finish
SP572-3129	LED assembly to suit 3570/3580 (suits furniture for monitored locks)
SP3570-1055	Extended 7.5M cable (12 wire) to suit 3570 locks
SP3570-5871	9/12 wire adaptor
LC8810	323mm Power Transfer Cable
LC8811	543mm Power Transfer Cable

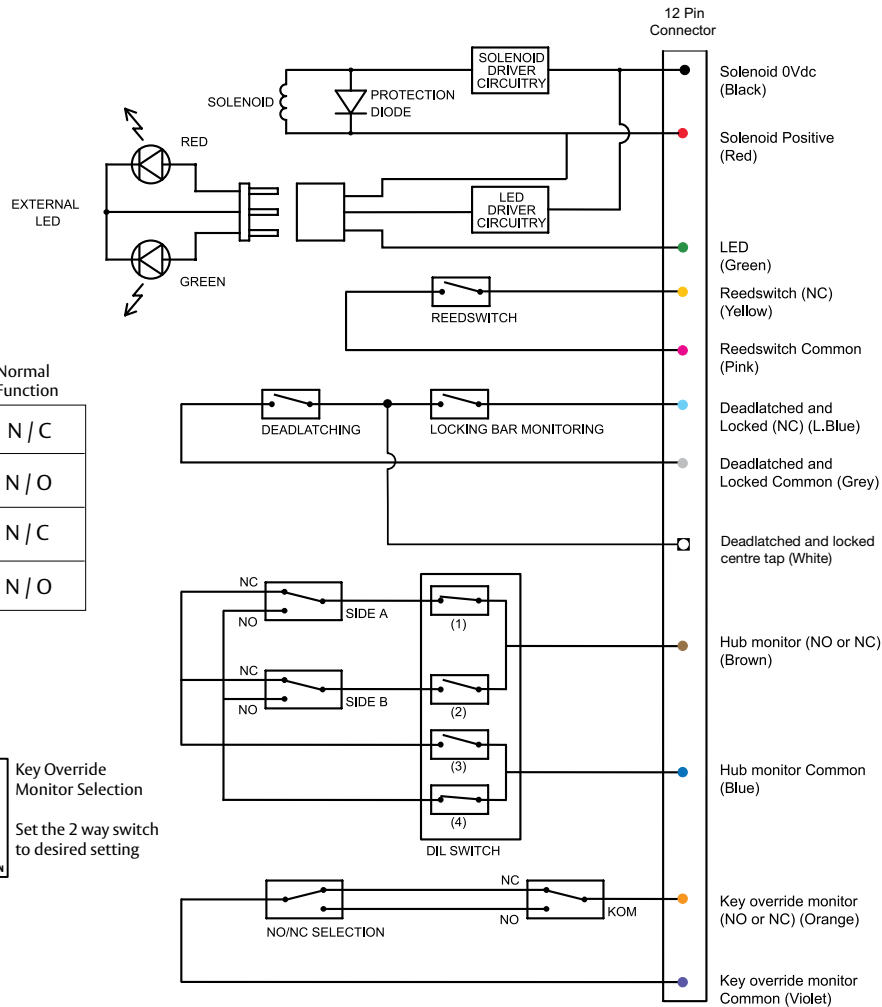


3570 Series Electric Mortice Lock

Electrical Specifications

Circuit Diagram

Note: Diagram depicts fail safe RH opened door, with handle and key in rest state.

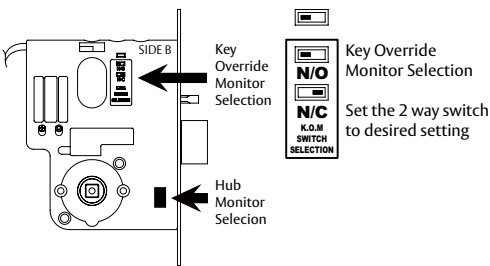


DIL Switch Settings

Hub Monitor

Switch Number	Lock Side	Normal Function			
1	2	3	4		
ON	OFF	ON	OFF	A	N / C
ON	OFF	OFF	ON	A	N / O
ON	OFF	ON	ON	B	N / C
ON	OFF	OFF	ON	B	N / O

Key Override Monitor Selection



Solenoid Activation

Operating Voltage:

12 - 24VDC

Operating Current:

500mA (max) 80mA holding @ 12VDC

275mA (max) 50mA holding @ 24VDC

For confirmation of the above mentioned operating current, please see installation manual

LED Current

Where LEDs are fitted, add 20mA (max) to total operating current

Monitoring Circuits

Microswitches: 500mA (max) @ 30VDC each circuit

Reedswitch: 100mA (max) @ 30VDC

Colour

Function

Black	Solenoid (0VDC)
Red	Solenoid Positive (12VDC - 30VDC)
Green	LED (12VDC - 30VDC)
Yellow	Door Closed Reedswitch (NC)
Pink	Door Closed Reedswitch (Common)
Light Blue	Deadlatched and Locked (NC)
Grey	Deadlatched and Locked (Common)
White	Deadlatched and Locked Centre Tap
Brown	Hub Monitor (NO or NC)
Blue	Hub Monitor (Common)
Orange	Key Override Monitor (NO or NC)
Violet	Key Override Monitor (Common)

3579 Series Electric Mortice Lock





Designed and manufactured in Australia, the 3579 series electric mortice is a high performance lock of superior quality. It is constructed from high grade zinc alloy secured between stainless plates making suitable for high security applications.

The 3579 lock can be operated by push buttons, intercom systems and key switches; or integrated with electronic access control systems for use with higher security devices such as keypads or card readers.

Product Details

Voltage	12VDC - 24VDC Operating Voltage
Current	500mA (max) 80mA holding @ 12VDC 275mA (max) 50mA holding @ 24VDC
LED Current	When LED's are fitted, add 15mA (max) to total current draw
Monitoring	Dual Key override Deadlatched Locked Door closed Request to exit Microswitches: 500mA (max) @ 30VDC each circuit Reedswitch: 100mA (max) @ 30VDC
Environment	Operational temperature range -20c to +60c
Case/Cover	High purity Zinc alloy construction with Stainless Steel plates
Backset	60mm standard, 89 & 127mm available
Latch Bolts	Reversible with Stainless Steel construction
Door Clearance	3 - 6.5mm
Door Thickness	Standard applications 32 to 50mm
Cylinder	Standard Lockwood oval shaped cylinders
Cabling	1.6 metre length of cable with 12 pin socket supplied with each lock. Recommended cable: 18AWG (0.82mm ²) cable runs up to 30m
Furniture	Compatible with Lockwood series door furniture
Standard Finishes	Satin Chrome (SC) standard

Standards and Compliance

SL8	Australian Lock Standard (AS4145.2.2008) (when used with equivalent security level keying system)
D8	(Durability) Australian Lock Standard (AS4145.2.2008)
	Successfully fire rated up to 4hrs on fire door assemblies in accordance with AS1905.1. 2005 (Part 1: Fire resistant door sets)
	C-Tick Certified
	SCEC Endorsed for SL3 Medium Threat Level Areas

3579 Series Electric Mortice Lock

Key Features

Designed with flexibility in mind, the one lock can cover all functions and is easily configured on site for the required application.

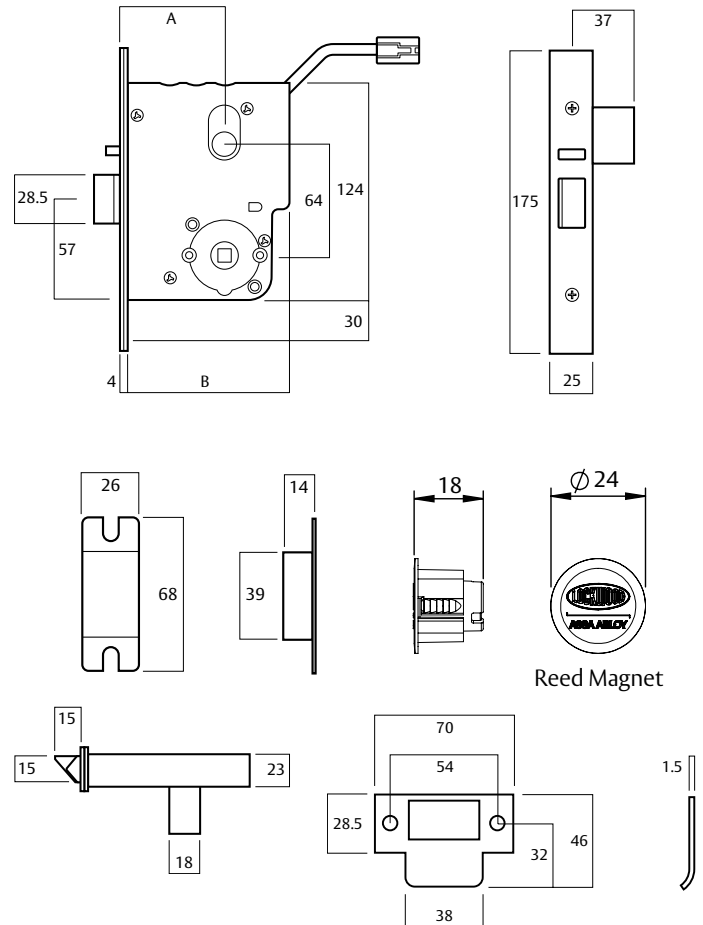
- Stainless Steel Latch and Faceplate
- Stainless steel plates that encapsulate the body against attempted vandalism
- Available in Monitored versions only

Monitoring Features

- Dead latched and Locked
- Door position/Reed switch
- Dual key override monitoring
- Request to exit/REX
- LED indication

Field Changeable Settings

- Fail safe/fail secure configuration.
- Multi-voltage - will work on 12-24 VDC systems.
- Handing - left hand and right hand doors
- Selection of free lever or locked lever on both sides of the door
- Key override monitoring either side of the door
- Monitoring contacts – normally closed, normally open (for key override and request to exit only)



3579 Series Electric Mortice Lock Ordering Procedure

Part Number	Product Description
3579ELM0SC	Electric Mortice Lock 3579 Primary Lock 60 mm Mon
4579ELM0SC	Electric Mortice Lock 3570 Primary Lock 89 mm Mon
5579ELM0SC	Electric Mortice Lock 3570 Primary Lock 127 mm Mon

Specification Statement

The lock body should be encapsulated with stainless steel. The lock should be capable of operation on voltages between 12 – 24VDC and have a current consumption not more than 80mA (holding) @12VDC and 50mA (holding) @24VDC. Monitored locks must be capable of monitoring the following functions: Key override, door position / reed switch, selectable hub / Request to exit, & locking bar status. All monitoring outputs must have the ability to be wired independently. All settings – including: fail safe / fail secure, handing, hub selection must be field configurable.

3579HS Series Electric Mortice Lock



Designed and manufactured in Australia, the 3579HS series electric mortice is designed for unique applications where fail secure functionality is required externally with fail safe functionality on the inside. To achieve this function the lock must be used in conjunction with an electric strike.

The 3579HS is constructed from the same material as the 3579 counterpart.

Product Details

Voltage	12VDC - 24VDC Operating Voltage
Current	500mA (max) 80mA holding @ 12VDC 275mA (max) 50mA holding @ 24VDC
LED Current	When LED's are fitted, add 15mA (max) to total current draw
Monitoring	Dual Key override Deadlatched Locked Door closed Request to exit Microswitches: 500mA (max) @ 30VDC each circuit Reedswitch: 100mA (max) @ 30VDC
Environment	Operational temperature range -20c to +60c
Case/Cover	High purity Zinc alloy construction with Stainless Steel plates
Backset	60mm standard, 89 & 127mm available
Latch Bolts	Reversible with Stainless Steel construction
Door Clearance	3 - 6.5mm
Door Thickness	Standard applications 32 to 50mm
Cylinder	Standard Lockwood oval shaped cylinders
Cabling	1.6 metre length of cable with 12 pin socket supplied with each lock. Recommended cable: 18AWG (0.82mm ²) cable runs up to 30m
Furniture	Compatible with Lockwood series door furniture
Standard Finishes	Satin Chrome (SC) standard

Standards and Compliance

SL8

Australian Lock Standard (AS4145.2.2008) (when used with equivalent security level keying system)

D8

(Durability) Australian Lock Standard (AS4145.2.2008)



Successfully fire rated up to 4hrs on fire door assemblies in accordance with AS1905.1. 2005 (Part 1: Fire resistant door sets)



C-Tick Certified

SCEC Endorsed for SL3 Medium Threat Level Areas

3579HS Series Electric Mortice Lock

Key Features

Designed with flexibility in mind, the one lock can cover all functions and is easily configured on site for the required application.

- Stainless Steel Latch and Faceplate
- Stainless steel plates that encapsulate the body against attempted vandalism
- Available in Monitored versions only

Monitoring Features

- Dead latched and Locked
- Door position/Reed switch
- Dual key override monitoring
- Request to exit/REX
- LED indication

Field Changeable Settings

- Fail safe/fail secure configuration.
- Multi-voltage - will work on 12-24 VDC systems
- Handing - left hand and right hand doors
- Selection of free lever or locked lever on both sides of the door
- Key override monitoring either side of the door
- Monitoring contacts – normally closed, normally closed

Note: this lock is designed to operate in conjunction with an electric strike. The lock will never unlock electrically from the external side.

Lock Functions

The 3579HS series lock is designed to provide internal emergency egress on doors whereby the door remains secure on the outside in the event of a fire alarm or break glass event.

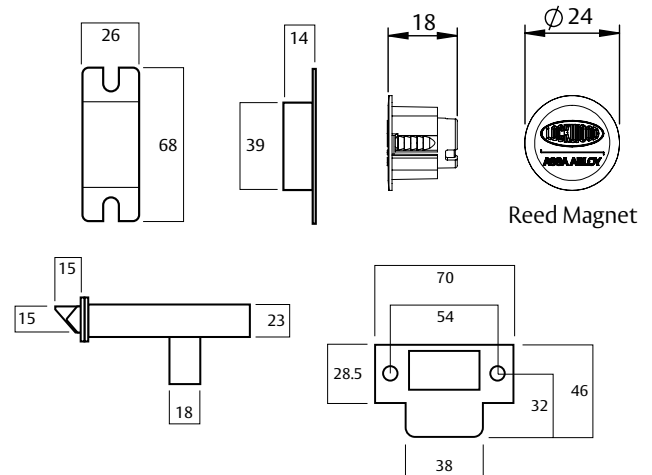
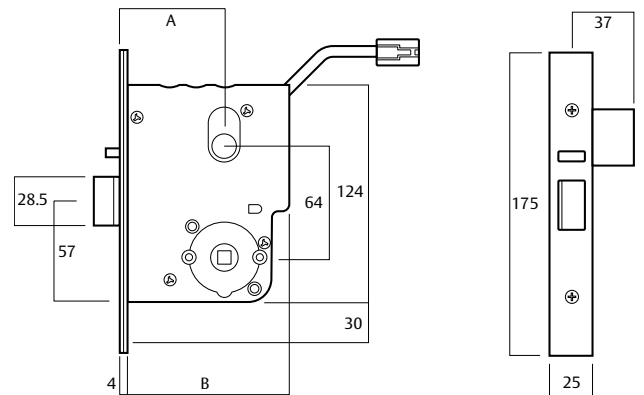
A typical door set up would include the following hardware:

- Proximity readers on both sides of the door to gain access either way
- 3579HS Electric Mortice Lock set to fail safe inside. Note the lock remains in the locked state (externally) 100% of the time if power is applied or not.
- Electric strike set to fail secure
- Break glass or Fire Panel connected to the mortice lock only

To enter or exit the door the user would swipe a proximity card to the reader. Upon authorisation from the EAC panel the electric strike would unlock, allowing the user to open the door. The electric mortice lock does not change state.

In the event of an emergency (fire alarm or break glass activation), power is cut to the electric mortice lock & places it in a fail safe mode on the internal side only. The mortice lock remains in a fail secure state on the external side.

Note: The 3579HS Series lock can never be electrically unlocked from the outside. A secondary locking device (electric strike) must be used in conjunction with this lock.



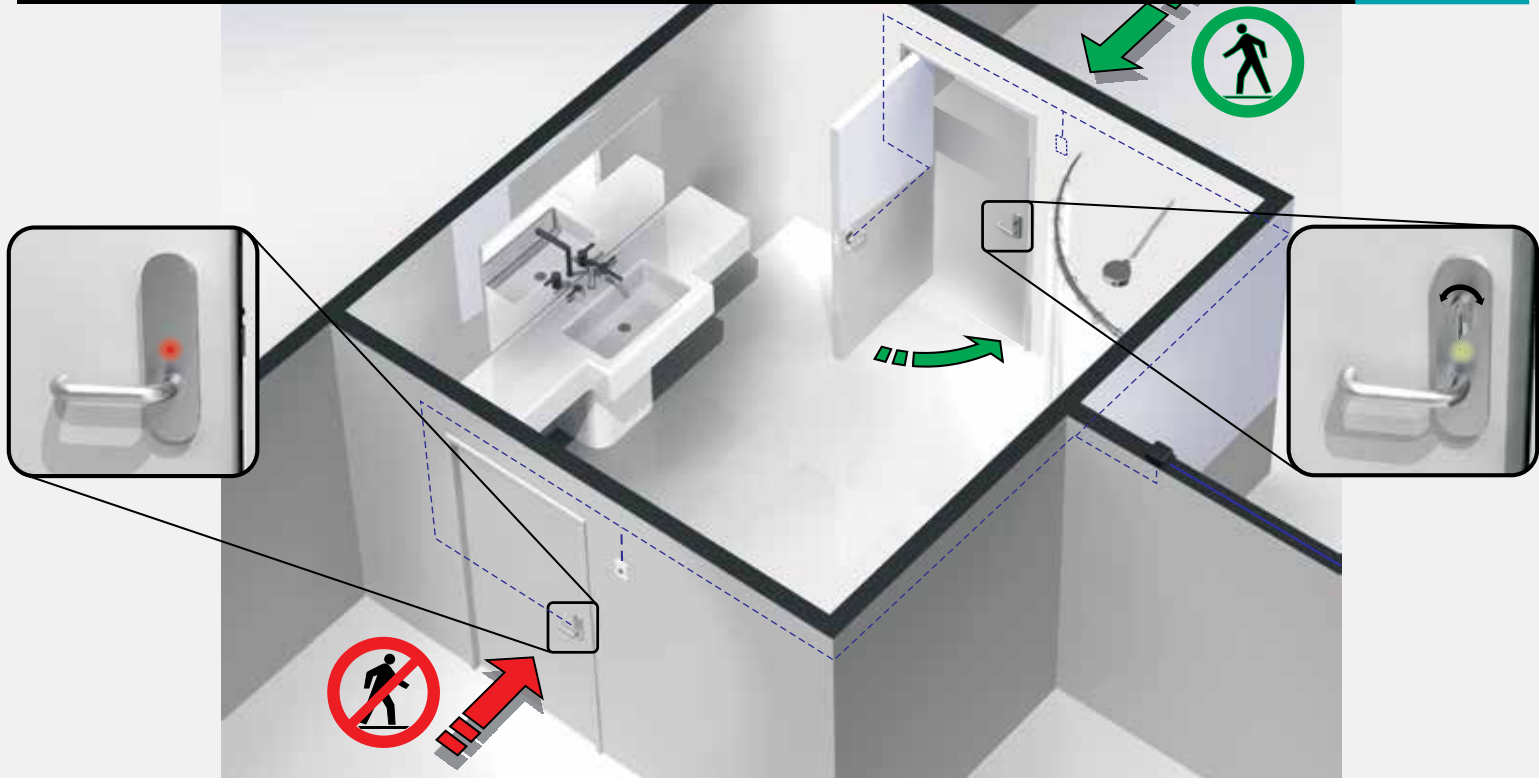
3579 Series Electric Mortice Lock Ordering Procedure

Part Number	Product Description
3579HSELM0SC	High Security Elec Mortice 3579HS Primary Lock 60 mm
4579HSELM0SC	High Security Elec Mortice 3579HS Primary Lock 89 mm
5579HSELM0SC	High Security Elec Mortice 3579HS Primary Lock 127 mm

Specification Statement

The lock body should be encapsulated with stainless steel. The lock should be capable of operation on voltages between 12 – 24VDC and have a current consumption not more than 80mA (holding) @12VDC and 50mA (holding) @24VDC. Monitored locks must be capable of monitoring the following functions: Key override, door position / reed switch, selectable hub / Request to exit, & locking bar status. All monitoring outputs must have the ability to be wired independently. All settings – including: fail safe / fail secure, handing, hub selection must be field configurable. The lock must be capable of operating in fail safe mode internally and fail secure mode externally when used in conjunction with an electric strike.

Hi-O Room Guard Locking System



The Room Guard Locking System is based on state of the art Hi-O technology platform developed by ASSA ABLOY.

Bringing a new dimension to electronic locking systems as we know them today, the Hi-O platform has enabled this unique product offering that is designed for ease of use and simplified installation.

The system provides electronic lock control of multiple doors for any room requiring privacy by the occupants. The most common applications are shared bathrooms in hospitals and conference rooms with dual entries. The intelligence is embedded in the locking devices themselves, resulting in a plug and play system without the need for a door controller to lock and unlock the door; therefore extremely easy to install and cost effective.

Key Features

- One touch privacy
- All components supplied in one neat kit
- Plug and Play connectivity
- No requirement for external door controller or EAC system
- Fast, accurate and cost effective installation

Applications

- Shared bathrooms
- Conference rooms
- Laboratories

Function

Locking the door

- Enter either door and close door
- Activate internal turn knob
- Both doors automatically lock - outside
- External handles indicate red (locked)

To unlock/exit

- Activate internal lever on either door
- Both doors automatically unlock
- External handles indicate green (unlocked)

Note: In the event of an emergency, the doors may be unlocked externally via emergency override switches if fitted.

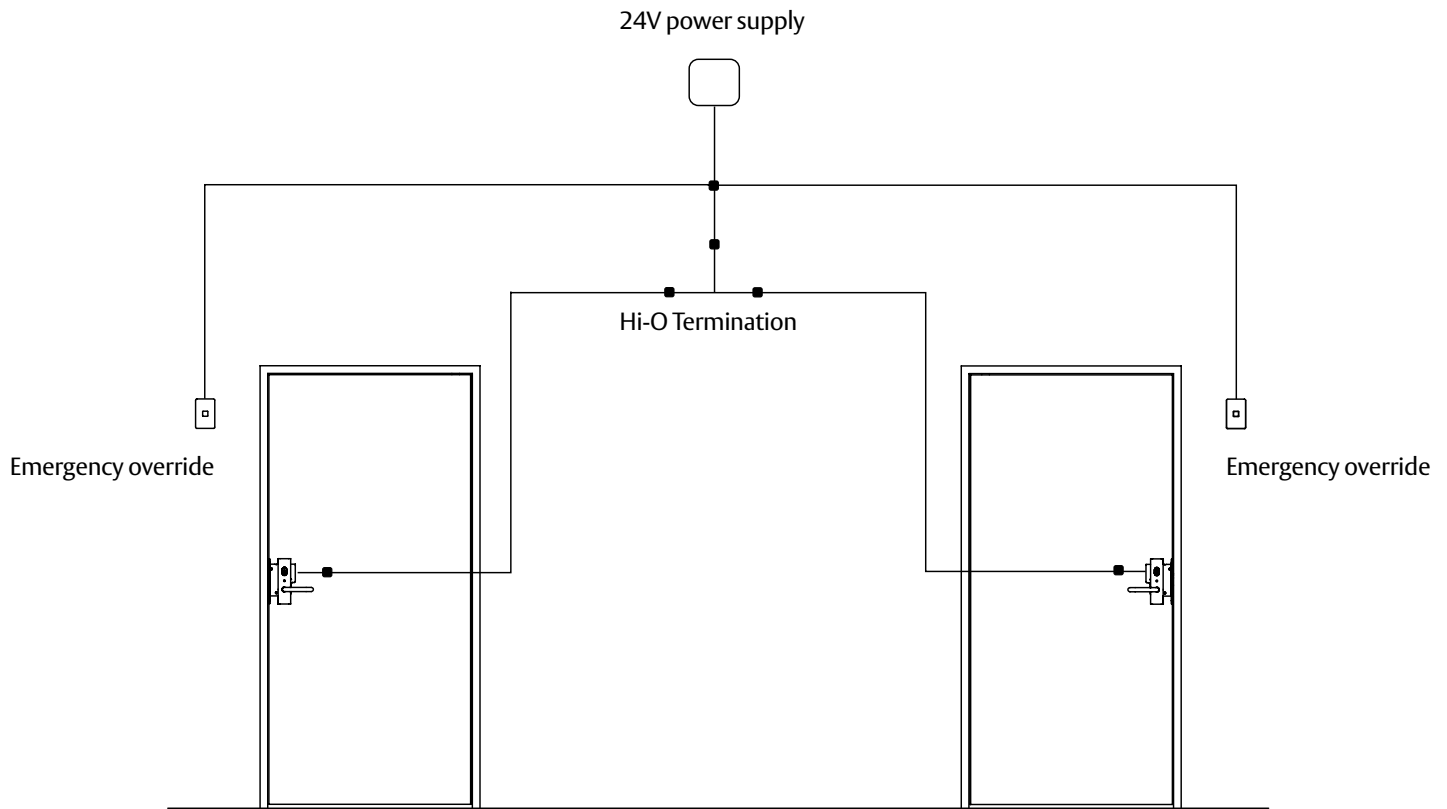
Standards and Compliance



Successfully fire rated up to 4 hours on fire door assemblies in accordance with AS1905.1. 2005

Hi-O Room Guard Locking System

Two Door Installation Layout



Installation Overview

The Room Guard Locking System does not require an external door controller to lock or unlock the door. The electric mortice locks are simply plugged together, connected to the emergency override switches and then plugged into the power supply.

Note: The use of emergency override switches may not be required. In that case, the power supply is connected directly to mortice locks.

Hi-O Room Guard Locking System

Ordering Information

Part Number	Product Description
3570ELHRG0SC	Hi-O Room Guard Mortice Lock
EA280	Power Transfer
RG3SC	Room Guard Turn Knob Assembly
HPS-24VDC	24VDC Power supply unit
HLM-004	4 Way Adaptor
HLM-018	Override Switch Wire – 15M
HLM-008	8M Extension Cable
HLM-011	Terminal Strip Adaptor (PAIR)
HLM-012	Hi-O Termination Socket
HPM-SW1	Emergency Switch
HPM-FP1	Faceplate for Emergency Switch

Room Guard Kit - Contents

Contents	Qty
Hi-O Room Guard Mortice Lock	2
Power Transfer	2
Room Guard Turn Knob Assembly	2
24VDC Power supply unit	1
4 Way Adaptor	1
Override Switch Wire – 15M	2
8M Extension Cable	2
Terminal Strip Adaptor (PAIR)	1
Hi-O Termination Socket	1
Emergency Switch	2
Faceplate for Emergency Switch	2

Accessories Ordering Information

Part Number	Product Description
3570HRGKIT	Room Guard Kit – 2 doors
1822/70SC	Exterior door furniture with LED
1920/70SC	Interior door furniture

Ordering Information

The Room Guard Kit contains all necessary components and power supply to install a two door system. The door furniture must be ordered separately.

1. Order Room Guard two door kit
2. Order door furniture for two doors

Additional Information

- For alternative door furniture options and finishes, refer to Lockwood Product Catalogue Section 3.70 – Plate Door Furniture
- Locks are designed to work in fail safe mode
- Locks are non handed and can be configured on site

Selector® 3782EL Short Backset Electric Mortice Locks



Designed and manufactured in Australia the Selector 3782EL is a high performance electric mortice lock for narrow stile hinged doors. Designed to meet the varying requirements of commercial applications, the lock is the ideal compliment to high security access control systems and a great locking product to use with intercoms, keypads and key switches due to the intuitive operation of a locked or unlocked handle. These locks comply with building regulations for single-action escape doors.

The 3782EL is a fully field configurable primary electric mortice lock providing significant benefit over previous models. The unique motor driven operation, high security monitoring capabilities and on board door status LEDs provides a significant advancement in the specification, distribution, installation and servicing of electric mortice locks.

Key Features

- Variable voltage from 9 – 28VDC
- Simple in field selection of power to lock or power to open

- Full range of monitoring including Request to Exit (REX), Deadlatch, Door position, Key Override Monitoring (KOM) and locked status
- On board door status LEDs improves installation and reliability
- Unique functions for reader in / reader out applications which allows external side to fail securely while internal side fails safe allowing free egress
- Motor driven providing lower power usage in power to lock applications
- 3 wire control means the power can be supplied independent to the locking control signal making the lock less susceptible to issues associated with voltage drop across long wiring runs

Standards and Compliance

S8 (Security) Australian Lock Standard (AS4145.2.2008) (when used with equivalent security level keying system)

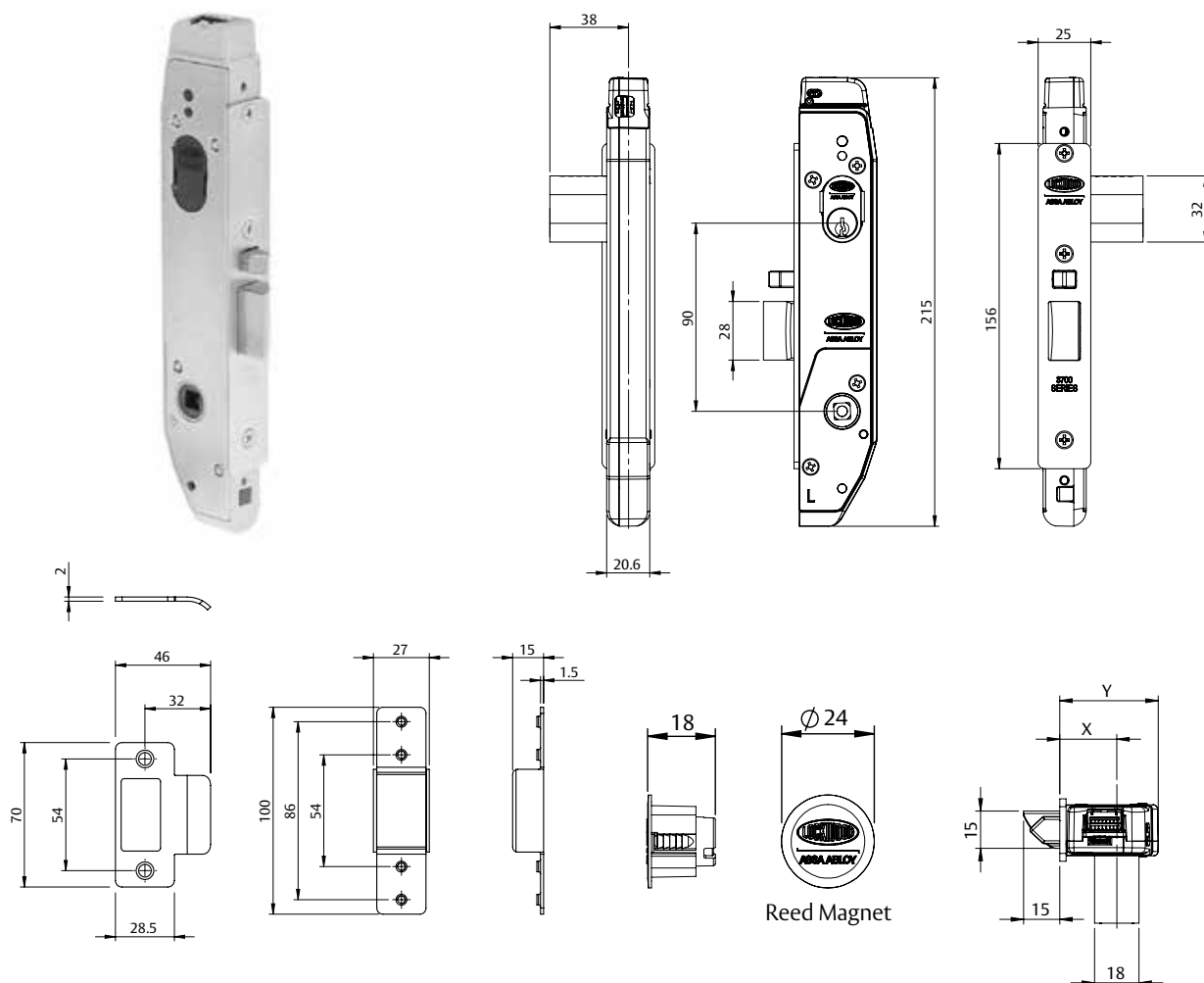
D8 (Durability) Australian Lock Standard (AS4145.2.2008)

 RCM Certified

Product Details

Voltage	9 – 28VDC
Current	300mA MAX (20mA continuous if LEDs are activated)
Monitoring	Key override (NC), Deadlatch (NC), Door Position (NC), REX (NO / NC) and Lock Status (NC) - all 30VDC 50mA MAX
Environment	Operational temperature range -15°C to +60°C
Case/Cover	High purity zinc alloy material cases with stainless steel chassis plates. Stainless steel faceplates provided as standard
Backset	23mm standard, 25.4, 30 and 38 mm extended available
Latch bolts	15mm stainless steel construction
Door Clearance	3 - 6.5 mm
Door thickness	Standard applications 32 to 50mm Extension kits available
Cylinder	Standard Lockwood oval shaped cylinders can provide mechanical key override. Key retracts bolt when used with either X7 cam or V cam. Locks are supplied with X7 cams included.
Cabling	Supplied with 3.6m cable with 12 pin connector and moisture deflecting boot supplied with each lock Recommended cabling: 18AWG (0.82mm ²) cable runs up to 30m
Furniture	Compatible with Lockwood 4800 and 5800 Series Brass Door Furniture . This includes function 11 (cylinder, lever and lens) and function 12 (lever and lens) which are specifically designed to work with this lock to allow the onboard LEDs to illuminate door status.
Finishes	Satin Stainless Steel (SS)

Selector® 3782EL Short Backset Electric Mortice Locks



Ordering Information

Part Number	Product Description
3782ELSS	3782EL 12-24VDC ELECTRIC MORTICE PRIMARY LOCK 23MM BACKSET
4782ELSS	4782EL 12-24VDC ELECTRIC MORTICE PRIMARY LOCK 25.4MM BACKSET
5782ELSS	5782EL 12-24VDC ELECTRIC MORTICE PRIMARY LOCK 30MM BACKSET
6782ELSS	6782EL 12-24VDC ELECTRIC MORTICE PRIMARY LOCK 38MM BACKSET

Limiting Dimensions

Dimensions	Backset			
X	23	25.4	30	38
Y	40	42.4	47	55

Specification Statement

The lock should be capable of operation on voltages of 9-28VDC and have a current consumption not more than 300mA (max). Locks should have selectable on-board LEDs and must be capable of monitoring the following functions: key override, door position/reed switch, request to exit, and locking bar status. All monitoring outputs must have the ability to be wired independently. All settings - including power to lock/power to open, handing, hub selection must be field configurable.

Selector® 3782EL Short Backset Electric Mortice Locks

Door Status Indication

The 3782EL features on board LEDs greatly improving the installation process for door furniture where door status indication is required by eliminating the need to wire furniture to the lock. To support this new plate furniture configurations have been established with an integrated lens providing simple red/green door status illumination.

Lockwood 4800 and 5800 series furniture with lens is available in a wide array of levers and finish options. Refer Lockwood Plate Door Furniture catalogue for available options.



4800 Series Shown

Selector® 3782EL Short Backset Electric Mortice Locks

Accessories - Cables and Adaptors

Part Number	Product Description
SP3782EL-251	3782EL SERIES 9 PIN ADAPTOR TO RETROFIT 3582EL
SP3782EL-252	3782EL SERIES CABLE 3.6M
SP3782EL-253	3782EL SERIES EXTENDED CABLE 7.5M

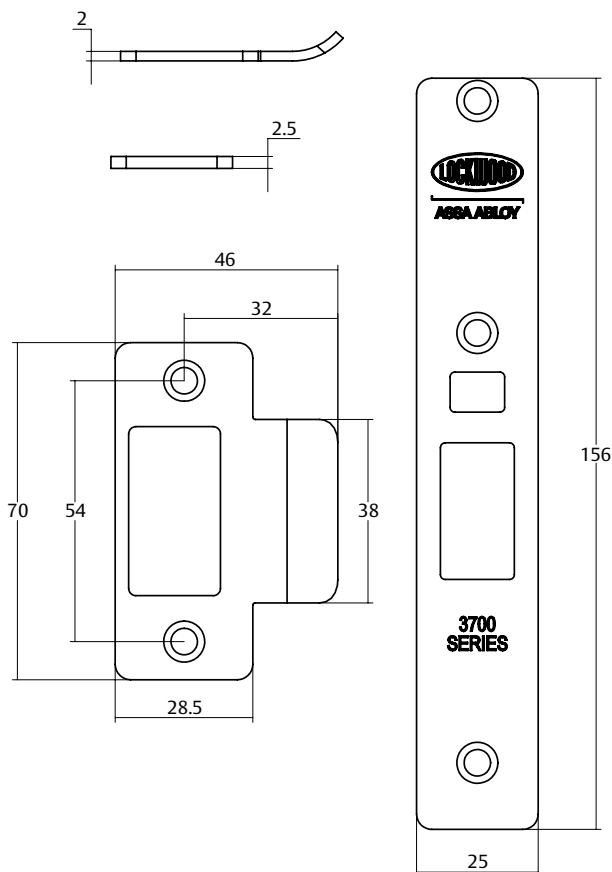
Note: The retrofit adaptor allows an existing 3582EL to be upgraded to a 3782EL lock without changing wiring. In installations where a power to open lock (3582ELE) is installed it is recommended to re-wire the door to support 3 wire control.

Alternative Finish Kits

Part Number	Finish
3782-FINKITCP*	Chrome Plate
3782-FINKITPC	Powder Coat

Finish kits include: Strike, faceplate and screws.
Finish kits are not suitable for use with 25.4mm backset 4782 lock.

*Screws not included.

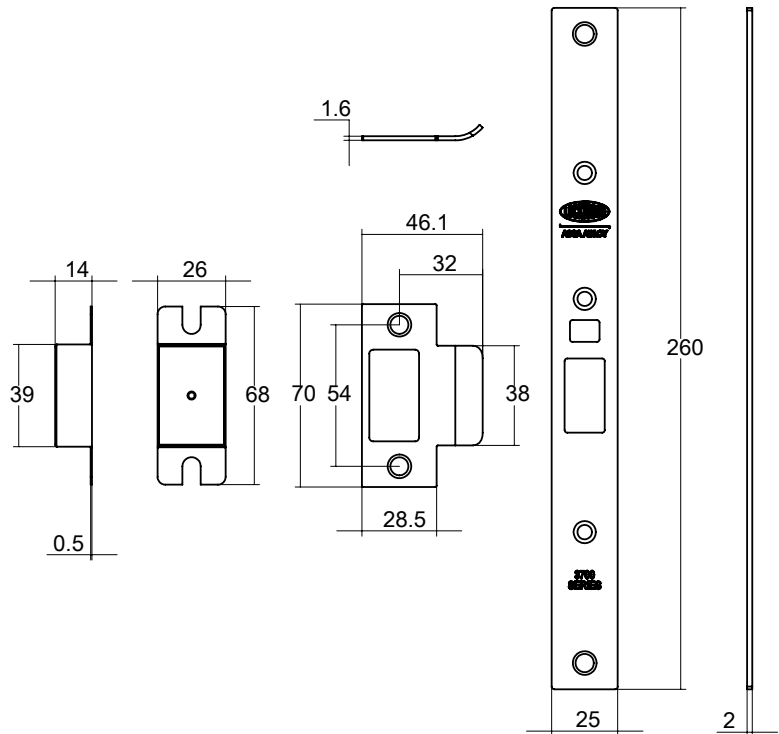


Selector® 3782EL Short Backset Electric Mortice Locks

Timber Door Fixing Kit

Part Number	Finish
3782-TFKITSS*	Stainless Steel
3782-TFKITCP*	Chrome Plate
3782-TFKITPB	Polished Brass

Timber door fixing kits are not suitable for use with 25.4mm backset 4782 lock.
*Faceplate screws not included



Security Faceplate Screw Kit

Part Number	Application
3782-SECKIT	To suit 3780 Series

Kit contains five replacement faceplate screws with tamper resistant TR20 Torx drive heads.

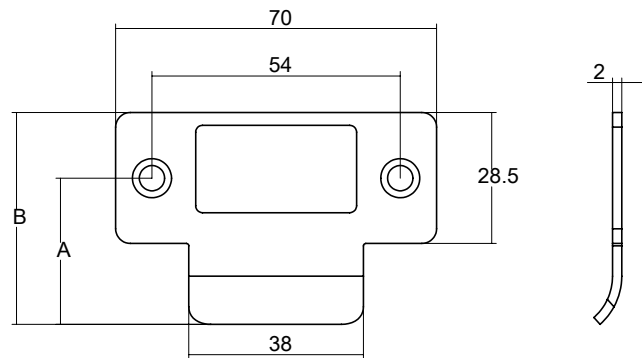
Selector® 3782EL Short Backset Electric Mortice Locks

Strikes

Part Number	Lip Length A	Strike Length B
3782-STK32XX*	32mm	46.1mm
3782-STK74SS	74mm	88.5mm

To order, add finish code to part number.
XX designates the finish.

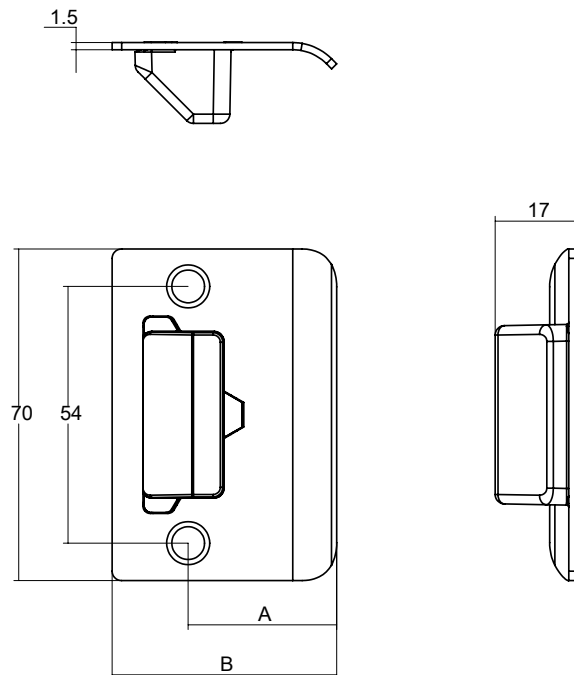
SS - Stainless Steel, **CP** - Chrome Plate, **PB** - Polished Brass.
32mm length strike supplied as standard.



Fabricator Strikes

Part Number	Lip Length A	Strike Length B
3782-FSTK32SS	32mm	47.2mm
3782-FSTK64SS	64mm	80.2mm

Stainless Steel D shaped strike with retained strike box allows for surface mounting of strike on frame stile where door gap permits.



Selector® 3782EL Short Backset Electric Mortice Locks

Rebate Kits

Part Number	Finish
5782-RK ##CP	Chrome Plate
5782-RK ##SS	Stainless Steel
5782-RK ##PB	Polished Brass

Rebate kits to suit 13mm rebated timber doors with minimum backset of 30mm.

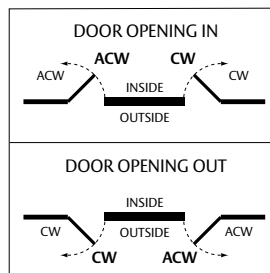
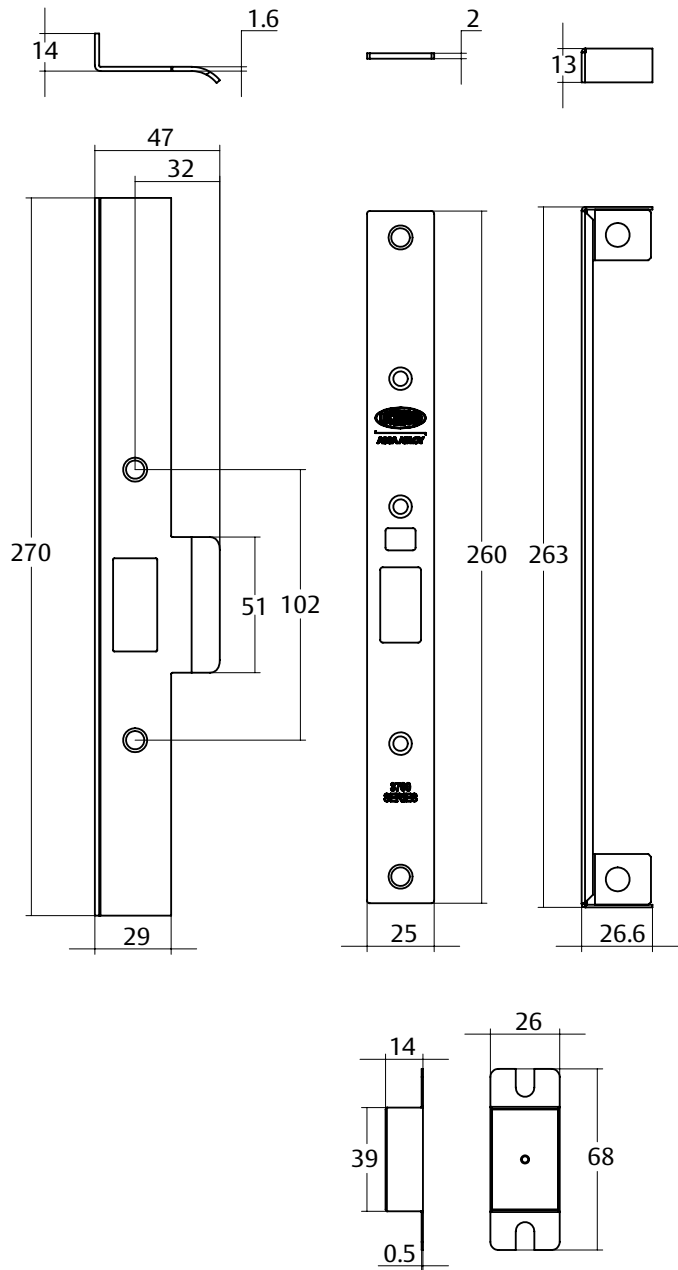
To order, add door handing to part number.

Refer to door handing guide at the bottom of page.

designates door handing.

CW - Clockwise

ACW - Anti-clockwise



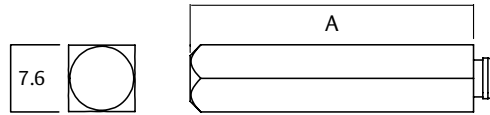
CW Left Hand open in
(Clockwise) Right Hand open out

ACW Left Hand open out
(Anti-Clockwise) Right Hand open in

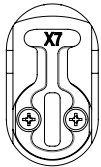
Selector® 3782EL Short Backset Electric Mortice Locks

Mortice Lock Spindles

Part Number	Pack Size	Length "A"	Door Thickness	
			Min	Max
SP3570-5018	10	33mm	32	50
SP3570-5228	1	45mm	50	75
SP3570-5238	1	58mm	75	100
SP3570-5258	1	108mm	100	200



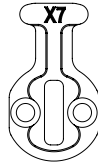
Single Cylinder Assemblies



"X7" Cam Cylinder
570C4/X7

Note: X7 Cam provides key override function by retracting the bolt. V Cam Cylinders can also be used but will only deliver the same function.

Cylinder Cams



"X7" Cam
SP3700/X7CAM

Note: X7 cams are available in packs of 100 only.

Selector® 3782EL Short Backset Electric Mortice Locks

Synergy Series Conversion Chart

Synergy Series	Selector® 3782EL Series	Outside Hub Locking Setting	Inside Hub Locking Setting	X7 Cylinders Required to Replicate Synergy Configuration
Escape Locks				
Monitored				
3582ELEM0#SC	3782ELSS	PTO	E	
3582ELEM1#SC	3782ELSS	PTO	E	1
3582ELEM2#SC	3782ELSS	PTO	E	2
3582ELEM4#SC	3782ELSS	PTO	E	
3582ELEM5#SC	3782ELSS	PTO	E	1
3582ELAM0#SC	3782ELSS	PTL	E	
3582ELAM1#SC	3782ELSS	PTL	E	1
3582ELAM2#SC	3782ELSS	PTL	E	2
3582ELAM4#SC	3782ELSS	PTL	E	
3582ELAM5#SC	3782ELSS	PTL	E	1
Non-Monitored				
3582ELEN0#SC	3782ELSS	PTO	E	
3582ELEN1#SC	3782ELSS	PTO	E	1
3582ELEN2#SC	3782ELSS	PTO	E	2
3582ELAN0#SC	3782ELSS	PTL	E	
3582ELAN1#SC	3782ELSS	PTL	E	1
3582ELAN2#SC	3782ELSS	PTL	E	2
Combination Locks				
Escape Locks Monitored				
3584ELEM0#SC	3782ELSS	PTO	PTO	
3584ELEM1#SC	3782ELSS	PTO	PTO	1
3584ELEM2#SC	3782ELSS	PTO	PTO	2
3584ELEM4#SC	3782ELSS	PTO	PTO	
3584ELEM5#SC	3782ELSS	PTO	PTO	1
3584ELAM0#SC	3782ELSS	PTL	PTL	
3584ELAM1#SC	3782ELSS	PTL	PTL	1
3584ELAM2#SC	3782ELSS	PTL	PTL	2
3584ELAM4#SC	3782ELSS	PTL	PTL	
3584ELAM5#SC	3782ELSS	PTL	PTL	1
Non-Monitored				
3584ELEN0#SC	3782ELSS	PTO	PTO	
3584ELEN1#SC	3782ELSS	PTO	PTO	1
3584ELEN2#SC	3782ELSS	PTO	PTO	2
3584ELAN0#SC	3782ELSS	PTL	PTL	
3584ELAN1#SC	3782ELSS	PTL	PTL	1
3584ELAN2#SC	3782ELSS	PTL	PTL	2

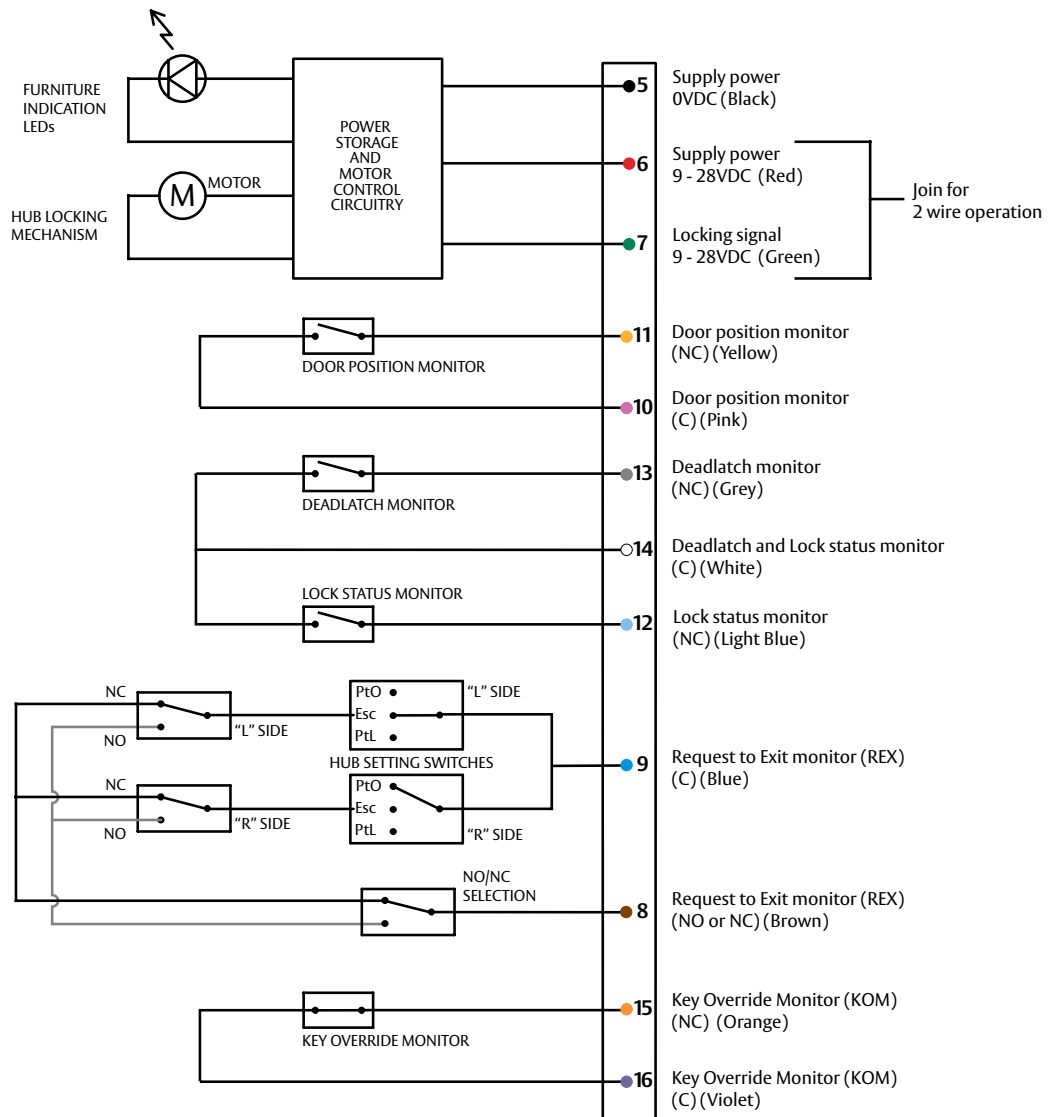
Note: Synergy locks were supplied in 12 and 24 volt configurations as Selector is variable voltage the same conversion part number applies. # denotes handing.

Selector® 3782EL Short Backset Electric Mortice Locks

Electrical Specifications

Circuit Diagram

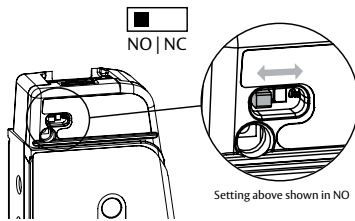
Note: Schematic shows RH opened door with handle and key in rest state.



Key Override Monitor Selection

REX MONITORING SELECTION

- Adjust the slide switch on L side of lock to select Normally Open (NO) or Normally Closed (NC) operation of Request to Exit (REX) monitor.
- REX monitor only operates on escape side of lock.



SUPPLY POWER ~ 300mA MAX (5 seconds), 20mA continuous if LEDs are activated

- 5 Black 0VDC
- 6 Red 9 - 28VDC
- 7 Green 3 wire control signal (9 - 28VDC)

DOOR POSITION MONITOR ~ 50mA @ 30VDC

- 11 Yellow NC
- 10 Pink COM

DEADLATCH AND LOCK STATUS MONITORS ~ 50mA @ 30VDC

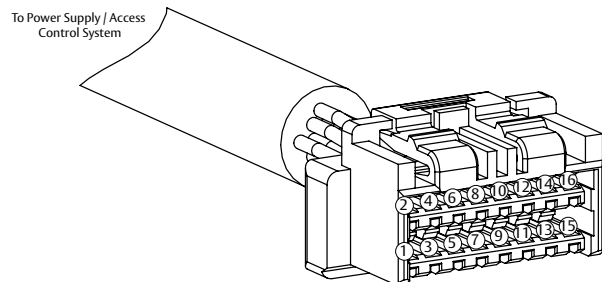
- 13 Grey Deadlatch monitor (NC)
- 14 White Deadlatch and Lock status (COM)
- 12 Light Blue Lock status monitor (NC)

HUB REQUEST TO EXIT MONITOR (REX) ~ 50mA @ 30VDC

- 9 Blue COM
- 8 Brown NO or NC

KEY OVER-RIDE MONITOR (KOM) ~ 50mA @ 30VDC

- 15 Orange NC
- 16 Violet COM



Power Transfer Lead Covers



The LC8810 and LC8811 Power Transfer Lead Covers are designed to ensure unbroken transfer of wires between door and frame in electric locking situations.

Features

- Provides unbroken connection from controller to lock, for cable up to 8 mm diameter
- Vandal-resistant chrome plated flexible steel
- Completely concealed when the door is closed

Applications

LC8810

The LC8810 is a shorter unit suitable for hinged doors which open to 90° (maximum of 120°).

LC8811

The LC8811 is designed for use on doors which open more than 120°, or have a gap from pin hinge to door frame of more than 20 mm.

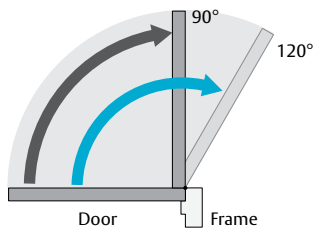
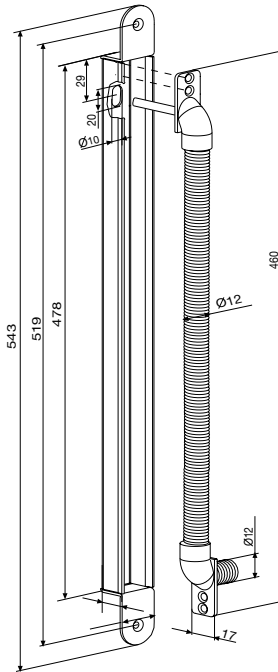
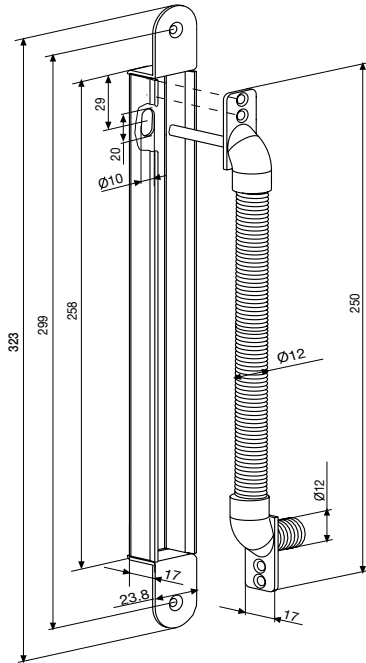
Note: Not suitable for centrally pivoted doors.

Standards and Compliance



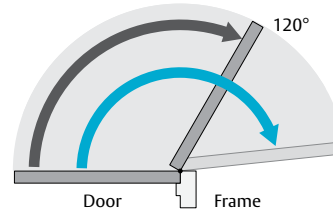
Successfully fire rated up to 4 hours on fire door assemblies in accordance with AS1905.1.2005 (Part 1: Fire Resistant Doorsets)

Power Transfer Lead Covers



LC8810

The LC8810 is a shorter unit suitable for hinged doors which open to 90° (maximum of 120°).



LC8811

The LC8811 is designed for use on doors which open more than 120°, or have a gap from pin hinge to door frame of more than 20 mm.

Note: Not suitable for centrally pivoted doors.

Ordering Information

Part Number	Product Description
LC8810	323mm Power Transfer Cable
LC8811	543mm Power Transfer Cable



ASSA ABLOY

Lockwood is the leading brand in the Australian locking industry. With an established reputation for high quality products, this iconic brand provides a wide range of locking solutions to residential housing, commercial building and industrial application markets. Lockwood is supported by an extensive distribution and after-sales support network. Our customers include retailers, architects, trade and industrial personnel, locksmiths and security dealers.

ASSA ABLOY is the global leader in door opening solutions, dedicated to satisfying end-user needs for security, safety and convenience.

ASSA ABLOY is represented in all major regions, in both mature and emerging markets, with leading positions in Australia, Europe and North America.

**25YEAR
MECHANICAL
WARRANTY**

The Lockwood 25 Year Mechanical Warranty

Our belief that we manufacture the finest premium products available in today's market place is backed by the Lockwood 25 Year Mechanical Warranty, ensuring that Lockwood continues to keep Australians safe by delivering security and peace of mind.

For warranty terms and conditions, please visit www.lockweb.com.au or call **1300WARRANTY**

ASSA ABLOY Australia Pty Ltd
235 Huntingdale Road
Oakleigh, Victoria, 3166
Australia

1300 LOCK UP (1300 562 587)
lockweb.com.au

ASSA ABLOY New Zealand Ltd
6 Armstrong Road
Albany, Auckland, 0632
New Zealand

info.nz@assaabloy.com
Telephone +64 9415 7111
assaabloy.co.nz

Disclaimer

Whilst every effort has been made to ensure that the information (including product images and drawings) contained in this brochure is accurate at the time of publication, ASSA ABLOY Australia Pty Limited ("ASSA ABLOY") recommends that you consult ASSA ABLOY or its agents prior to placing an order to ascertain current information on specific products, as ASSA ABLOY reserves the right to make changes without notice. ASSA ABLOY will not be liable for any injury, loss or damage whatsoever, arising from any errors or omissions in the information contained in the brochure or arising from the use or application of the information contained herein. © 2020 copyright by ASSA ABLOY All rights reserved

